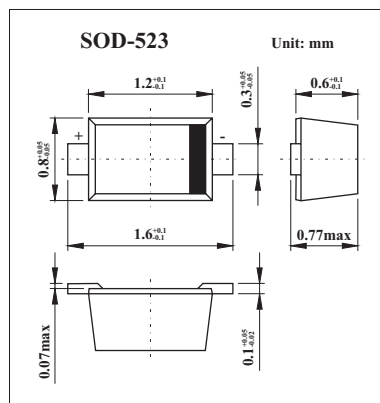


# 1SS390

■ Features

- Extremely Small surface mounting type. (EMD2)
- High reliability.



■ Absolute Maximum Ratings Ta = 25°C

Parameter	Symbol	Limits	Unit
DC reverse voltage	V <sub>R</sub>	35	V
DC forward current	I <sub>F</sub>	100	mA
Junction temperature	T <sub>j</sub>	125	°C
Storage temperature	T <sub>stg</sub>	-55 to +125	°C

■ Electrical Characteristics Ta = 25°C

Parameter	Symbol	Conditions	Min	Typ	Max	Unit
Forward voltage	V <sub>F</sub>	I <sub>F</sub> = 10 mA			1.0	V
Reverse current	I <sub>R</sub>	V <sub>R</sub> = 25 V			10	nA
Capacitance between terminals	C <sub>T</sub>	V <sub>R</sub> = 6 V, f = 1MHz			1.2	pF
Forward operating resistance	r <sub>F</sub>	I <sub>F</sub> = 2 mA, f = 100MHz			0.9	Ω