

PRODUCT NUMBER
77311-YXX-XXLF

PLATING SEE SHEET 2
PIN STYLE SEE SHEET 2

WHEN REQUIRED, ADD SUFFIX LETTER "LF"
INDICATES THE PRODUCT IS RoHS
COMPATIBLE, SEE NOTE 6
TOTAL NB OF POSITIONS 01 TO 36
OPTION LETTER SEE NOTE 7

PRODUCT NUMBER (BERGSTRIK PACKAGING)
77311-YXX-OOLF

PLATING
1= 0.76µm GOLD/GXT ON CONTACT
AREA, 2µm TIN MIN ON TAILS
8= 0.38µm GOLD/GXT ON CONTACT
AREA, 2µm TIN MIN ON TAILS
4= 2.0µm TIN MIN FULL PLATED

INDICATES THE PRODUCT IS RoHS
COMPATIBLE, SEE NOTE 6
POSITIONS PER REEL : 00=36,000 (BERGSTRIK)

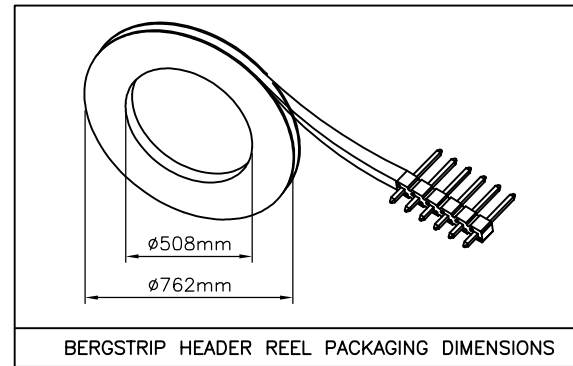
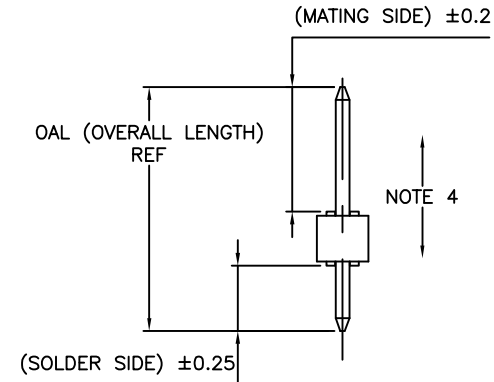
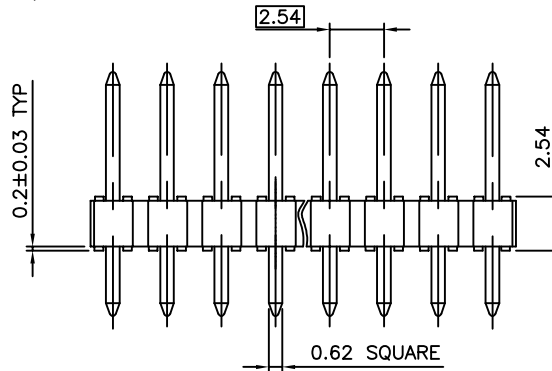
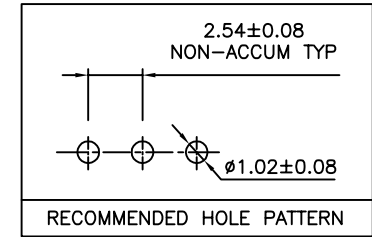
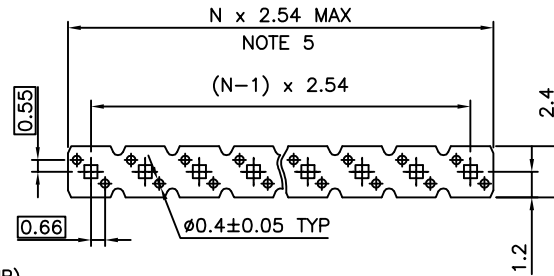
PIN STYLE	MATING	SOLDER	OAL
01	5.84	2.41	10.8
02	5.84	3.42	11.8
18	5.84	3.05	11.43
22	7.75	3.05	13.35
24	6.75	2.9	12.2
27	6.6	2.66	11.8

NOTES:

- HOUSING MAT'L : HIGH TEMPERATURE THERMOPLASTIC. UL94V-0 COLOR: BLACK
- PIN MATERIAL : PHOSPHOR BRONZE
- BERGSTRIK PRODUCT PACKAGED IN POLY BAGS. BERGSTRIK PRODUCT PACKAGED PER REELS.
- 9N MIN RETENTION IN EITHER DIRECTION
- TO DETERMINE DIMENSIONS :
N = NUMBER OF POSITIONS PER ROW
EXAMPLE : 8 POS N x 2.54 = 20.32mm
- RoHS COMPATIBLE PRODUCT SPECIFICATIONS
 - PLATING:
 - "LF" MEANS THE PRODUCT IS LEAD-FREE, 2µm MINIMUM MATTE TIN OVER 1.27µm MINIMUM NICKEL UNDERPLATE.
 - MANUFACTURING PROCESS COMPATIBILITY
 - THE HOUSING WILL WITHSTAND EXPOSURE TO 260°C ±5°C SOLDER BATH TEMPERATURE FOR 5 SECONDS IN A WAVE SOLDER APPLICATION WITH A 1.6mm MIN THICK CIRCUIT BOARD.
 - LABELING:
 - MEETS PACKAGING SPECS AS PER GS-14-920
 - LEGAL STATEMENT: SEE GS-22-008

7. OPTION LETTER :

- T = TUBE PACKAGING WITHOUT PICK UP CAP
K = TAPE & REEL PACKAGING, WITHOUT PICK UP CAP ONLY FOR P/N 77311-462K04(LF) AND 77311-462K05(LF)
C = HIGHT RETENTION FEATURES, SEE SHEET 2
R = RETENTION FEATURES, SEE SHEET 2
IF RETENTION FEATURE "R" AND TUBE PACKAGING "T" ARE BOTH REQUIRED
OPTIONAL LETTER "R" WILL APPEAR INSTEAD OF THE FIRST DASH
EXAMPLE : 77311R424T03LF



BERGSTRIK HEADER REEL PACKAGING DIMENSIONS

mat'l. code SEE NOTES		surface ISO 1302	tolerance ISO 406 ISO 1101	projection	product family BERGSTIK
ltr	ecn no	dr	date	tolerances unless otherwise specified	title
BP	F11-0320	LMU	12.01.25	angles	UNSHR.HEADER STR SR TMT
BR	F12-0032	LMU	12.05.04	linear	
BK	F09-0095	JCO	09.11.02	dr	D.LE
BL	F10-0091	LMU	11.05.23	engr	JM.C
BM	F11-0074	JCO	11.06.20	chr	JM.C
BN	F11-0307	LMU	11.09.26	appd	JF.N
sheet index	revision sheet	BR	BH		
		1	2		

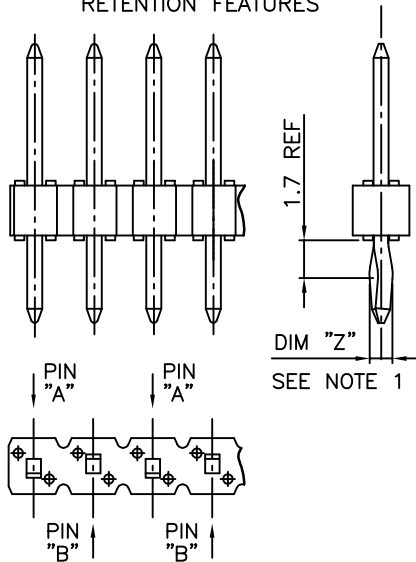


dwg no 77311 sheet 1 of 2 size A3
type CUSTOMER Drawing

PLATING

- 1 = 0.76µm GOLD/GXT ON CONTACT AREA 3.81µm TIN-LEAD ON TAIL
- 4 = 3.81µm TIN-LEAD ON CONTACT AREA 3.81µm TIN-LEAD ON TAIL
- 8 = 0.38µm GOLD/GXT ON CONTACT AREA 3.81µm TIN-LEAD ON TAIL
- G = 0.76µm FULL GXT
- S = 0.38µm FULL GXT
- 1.27µm NICKEL MIN UNDERLAYER FOR ALL PLATING VERSIONS
- WHEN "LF" IS REQUIRED, 2µm MATTE TIN OVER 1.27µm MIN NICKEL PROVIDED INSTEAD OF TIN-LEAD

RETENTION FEATURES



RETENTION FEATURES :

- 1 - PART NUMBER 77311-XXXXXXLF: DIM "Z"=(0.99)
PART NUMBER 77311-XXXXCXXLF: DIM "Z"= 1.05MIN -1.15MAX
- 2 - PINS "A" AND "B" USED FOR RETENTION.
- 3 - DIRECTION OF RETENTION SHOWN BY ARROWS.
- 4 - ON 4 TO 36 POSITIONS HEADER; RETENTION IS IN MID POSITION OF HEADER (4 CENTRAL PINS)
- 5 - FOR RETENTION OPTION , SOLDER TAIL LENGTH TO BE 2.9 MIN UP TO 3.5 MAX.

PLATING SPECIFICATIONS :

- 6 - ONLY FOR PLATING 1XX, 8.0MM GOLD / GXT PLATING AREA FROM PIN TYPE ON MATING SIDE

PRODUCTS SPECIFICATIONS			
PIN STYLE	MATING	SOLDER	OAL
01	5.84	2.41	10.8
02	5.84	3.42	11.8
03	5.72	5.09	13.35
05	5.72	10.14	18.4
08	5.72	17.78	26.04
15	8.51	2.55	13.6
18	5.84	3.05	11.43
19	12.83	3.03	18.4
20	15.37	3.04	20.95
22	7.75	3.05	13.35
24	6.75	2.9	12.2
25	8.51	3.18	14.22
27	6.6	2.65	11.8
26	15.57	2.84	20.95
29	17.5	3.46	23.5
32	10.3	3.05	15.9
38	5.84	3.82	12.2
39	11.2	3.05	16.8
46	8.08	2.98	13.6
58	14.47	3.05	20.06
62	13.5	3.05	19.09
70	6.54	3.50	12.57

PRODUCTS SPECIFICATIONS			
PIN STYLE	MATING	SOLDER	OAL
83	20.46	3.00	26.00
85	5.72	8.51	16.76
87	6.98	3.05	12.57
91	5.6	10.21	18.35
92	5.65	12.76	20.95
93	6.00	4.81	13.35
94	15.60	3.20	21.25
95	10.00	8.45	20.95
96	10.95	3.05	16.55
97	9.00	3.55	15.09
98	3.00	1.35	6.84
99	24.00	3.05	29.50
AA	5.72	15.24	23.50
AB	N/A		
AC	7.21	3.05	12.80
AD	17.53	3.43	23.50
AE	4.99	2.80	10.33
AF	5.72	3.05	11.30
AG	5.84	4.95	13.33
AH	14.31	3.20	20.05

NOTE 6

mat'l. code		surface <input checked="" type="checkbox"/> ISO 1302		tolerance <input checked="" type="checkbox"/> ISO 406 <input type="checkbox"/> ISO 1101		projection		product family BERGSTIK	
ltr	ecn no	dr	date	tolerances unless otherwise specified		mm		title UNSHR.HEADER STR SR TMT	
BD	F10-009	LMU	11.05.23	angles	linear	scale N/A		dwg no 77311 sheet 2 of - size A3	
BE	F11-0074	JCO	11.06.20					type CUSTOMER Drawing	
BF	F11-0307	LMU	11.09.26						
BG	F11-0320	LMU	12.01.25	dr	D.LE	01.01.24			
BH	F12-0032	LMU	12.05.04	enr	JM.C	01.01.24			
				chr	JM.C	01.01.24			
BC	F09-0095	LMU	09.09.17	appd	JF.N	01.01.24			
sheet index	revision sheet								