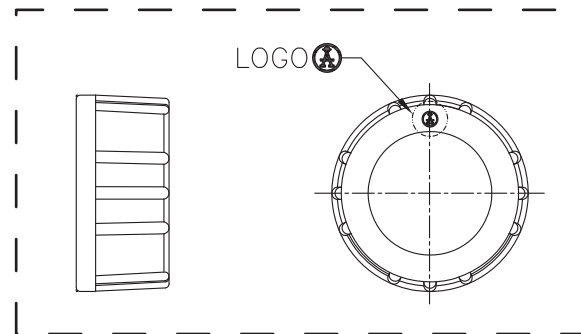
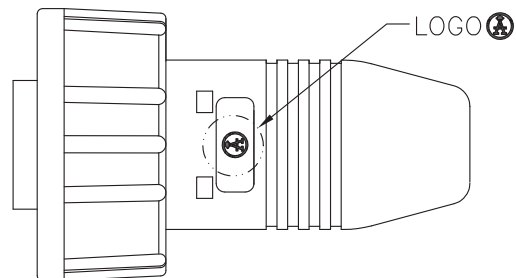


Conn.



Pin Out

Wire Color	Conn.
Black(24AWG)	4
Green(28AWG)	3
White(28AWG)	2
Red(24AWG)	1
Drain	Shield

Twist

**Note:**

- IP67 waterproof rated
- Connector: USB-A Male solder
- Cable: USB2.0 28AWG\*1P+24AWG\*2C+AL.My+D+B  
UV Resistant, Black, OD=5.0mm

Unit: mm



Scale	Free				Date	Name	
TOLERANCE					Drawn	06.12.11	Chappell
X.X	±0.25				Approved		
X.XX	±0.1						
X.XXX	±0.05						
DIM	TOL						
X.°	±1°						
X.X°	±X°	①	Revised part number/information	11.07.13			Wilson
Angle	TOL	Id.	Modification	Date	Name		

Title	
Waterproof USB2.0 cable assembly A type, Male to Open End, 1 Meter	
ASSMANN WSW-No. <b>A-KAB-USBA-MS-1M</b>	
Drawing-No.	rev01
Replace	Sheet 1/1

1

2

3

4

5

6

7