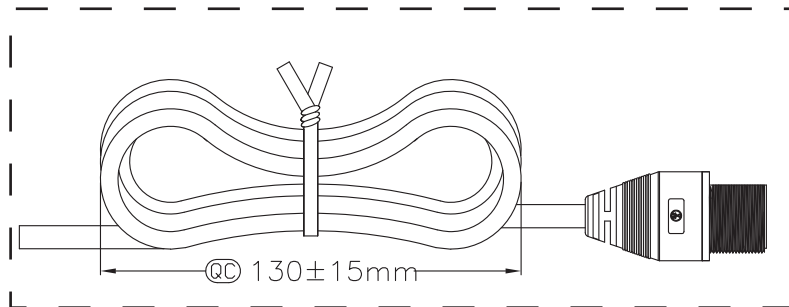
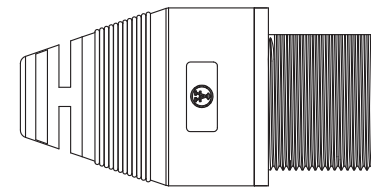


Pin Assignments
Front View

Pin Out

Wire Color	Conn.
Black	4
Green	3
White	2
Red	1
Drain	Shield

Twist




Note:

- IP67 waterproof rated
- Connector: Black, ABS
- USB: USB-B Female solder
- Cable: USB2.0 28AWG*1P+24AWG*2C+AL+D+B
UV Resistant, Black, OD=5.0mm

Unit: mm



Scale	Free					Date	Name	
TOLERANCE						Drawn	07.11.11	Chappell
X.X	±0.25					Approved		
X.XX	±0.1							
X.XXX	±0.05							
DIM	TOL							
X.°	±1°							
X.X°	±X°	①	Revised part number/information	11.07.13	Wilson			
Angle	TOL	Id.	Modification	Date	Name	1840 W. Drake Drive, Suite 101 • Tempe, AZ 85283 Toll Free: 1-877-277-6266 • Email: info@assmann.us		

Title	
Waterproof USB2.0 cable assembly B type, Female to Open End, 1 Meter	
ASSMANN WSW-No.	
A-KAB-USBB-FS-1M	
Drawing-No.	rev01
Replace	Sheet 1/1