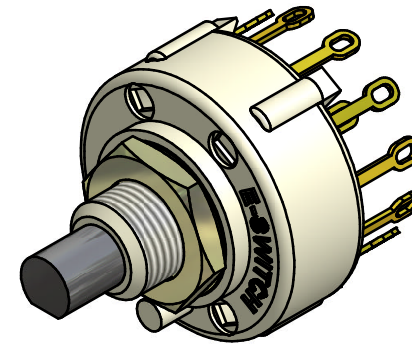
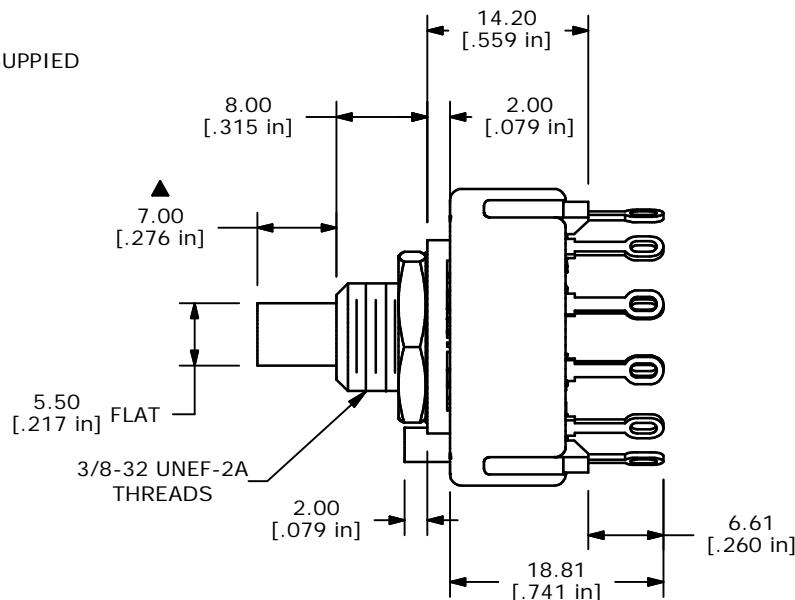
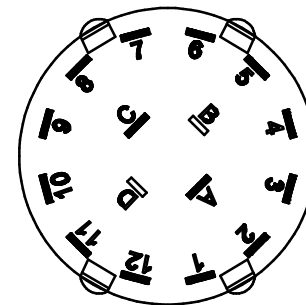


▲ HARDWARE SUPPLIED ON SWITCH



ISOMETRIC



NOTE:

1. ALL DIMENSIONS IN MM[INCH].
2. GENERAL TOLERANCE: X.X=±0.4
X.XX=±0.25
3. TERM. NOS. FOR REFERENCE ONLY.
- ▲ 4. CONTACT MATERIAL: SILVER
5. CONTACT RATING: 150MILLIAMP, 250VAC/DC
350MILLIAMP, 110VAC/DC
6. CONTACT RATING (NON-SWITCHING) 5A
7. OPERATING FORCE 425±100CM/STANDARD
8. OPERATING TEMP: -30°C TO 85°C
- ▲ 9. CIRCUIT DP: 6 POSITION 30° INDEX.
10. DIELECTRIC STRENGTH: 1000V RMS MIN.@ SEA LEVEL.
- ▲ 11. HARDWARE SUPPLIED ON SWITCH:
LOCKWASHER, HEXNUT, STOP RING
12. ▲ DENOTES CRITICAL PARAMETER.

E-SWITCH®

| | | | | |
|-----|--------|----------------------------|---------|----|
| B | 14347 | CORRECT TIMING DESCRIPTION | 9/24/04 | AR |
| A | 13793 | RELEASED FOR PRODUCTION | 2/20/04 | AR |
| REV | PCR NO | DESCRIPTION | DATE | BY |

| | | | | |
|---------------------|---------|----|---------|-----|
| TITLE KC26A7.001SLF | | | | |
| SCALE | DATE | DR | DWG | REV |
| 1.5:1 | 2/20/04 | AR | G510576 | B |

THE INFORMATION CONTAINED IN THIS DOCUMENT IS PROPRIETARY TO E-SWITCH AND IS NOT TO BE COPIED OR TRANSFERRED