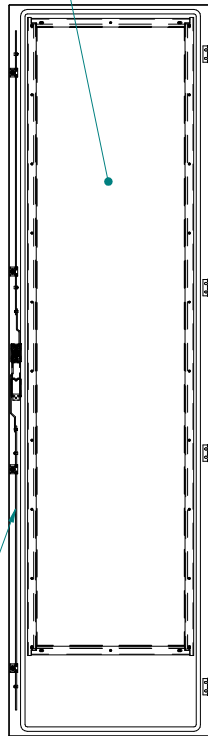


POLYCARBONATE WINDOW



REAR VIEW

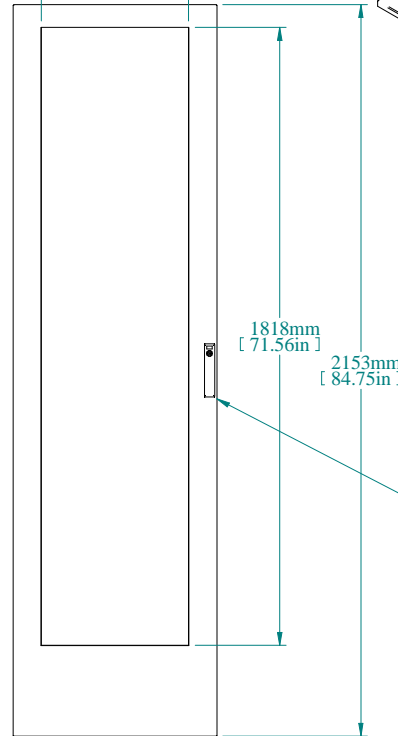
FOUR POINT LATCHING



L.S. VIEW

TOP VIEW

599mm
[23.59in]
433mm
[17.06in]

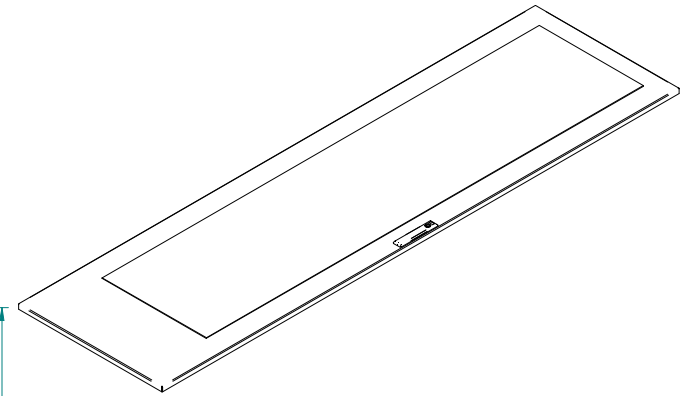


FRONT VIEW

1818mm
[71.56in]

2153mm
[84.75in]

ESCUTCHEON HANDLE



ISOMETRIC VIEW

PART NUMBERS

HMEDW226

PAINTED TEXTURED GRAY RAL 7035

NOTES

Welded Assembly

See Hammond Website for Additional Accessories

Data subject to change without notice. Isometric drawing not to scale.



**HAMMOND
MANUFACTURING™**

www.hammondmfg.com

PART NO. H MEDW226

