

# High Voltage Power Supply - 250W Series

HVP050P5000 HVP050N5000  
 HVP080P3000 HVP080N3000  
 HVP125P2000 HVP125N2000

## HVP Series

The HVP series supplies provide 250 watts of output power up to 125kV. The outputs are fully adjustable from zero to 100% of the maximum rating.

Built-in EMI filtering, safety interlocks, over-voltage/over-current arc protection, short circuit protection, and constant voltage/current operation, are just a few of the standard features in this series.



### Features:

- voltage programming
- current programming
- safety interlock
- short circuit protection
- NEMA 12 enclosure
- low ripple

### ELECTRICAL RATINGS

Part Number	$V_{MAX}$	$I_{MAX}$
	kV	mA
HVP050P5000	50	5.0
HVP050N5000	-50	5.0
HVP080P3000	80	3.0
HVP080N3000	-80	3.0
HVP125P2000	125	2.0
HVP125N2000	-125	2.0

### SPECIFICATIONS

#### Input:

- 115 or 230V AC, 50/60 Hz

#### Voltage Regulation:

- Less than .5% of Output Voltage

#### Current Regulation:

- Less than .5% of Output Current at 20% to 100% of Rated Voltage

#### Ripple:

- Less than 1% of Output Voltage

#### Temperature Coefficient:

- 200 ppm/°C

#### Ambient Temperature:

- Operating: 0°C to 50°C
- Storage: -20°C to +70°C

#### Output Cable:

- Dielectric Sciences 2121, 25 feet

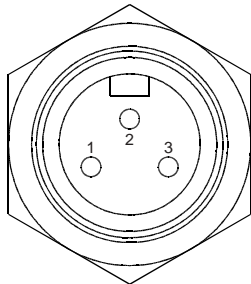
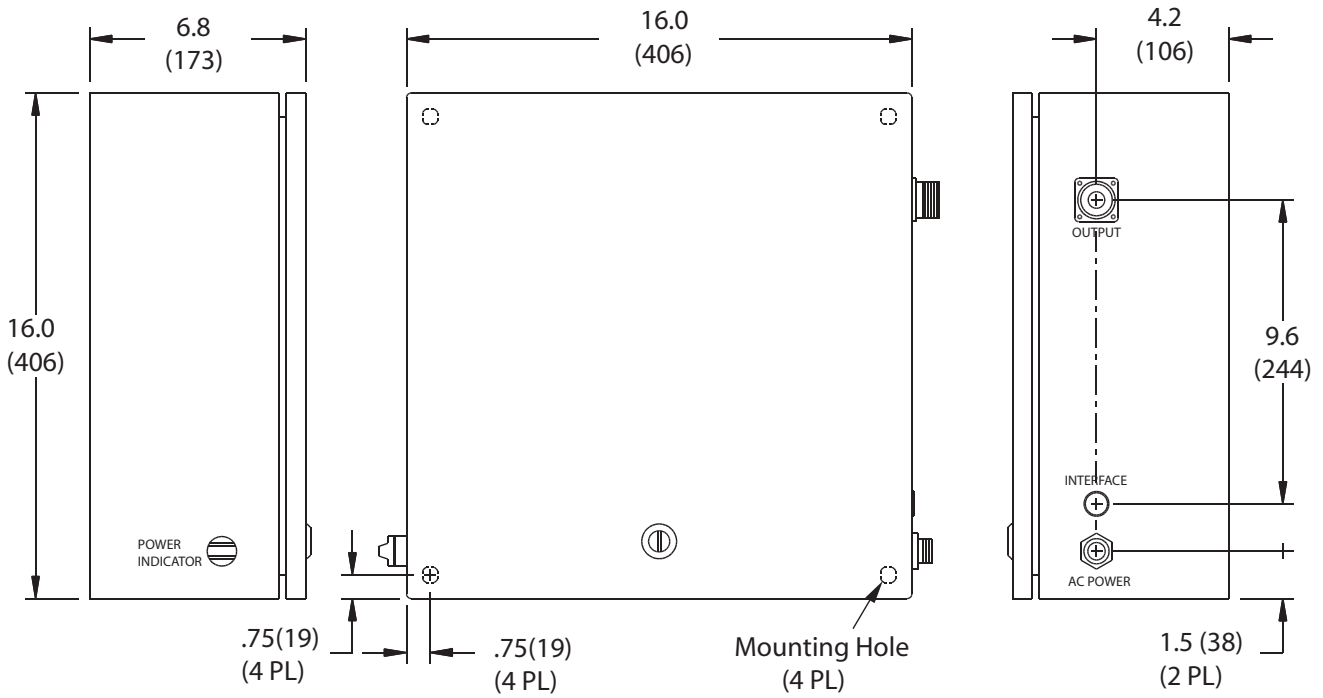
Dimensions: In. (mm) • Data subject to change without notice.



**VOLTAGE MULTIPLIERS INC.**  
 8711 W. Roosevelt Ave.  
 Visalia, CA 93291

TEL 559-651-1402  
 FAX 559-651-0740  
[www.voltagemultipliers.com](http://www.voltagemultipliers.com)

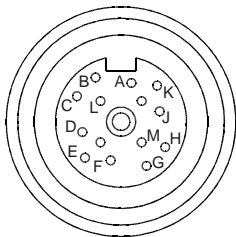
**HVP050P5000 HVP050N5000 HVP080P3000  
HVP080N3000 HVP125P2000 HVP125N2000**



**POWER CONNECTOR**

PIN #	SIGNAL
1	Neutral
2	Ground
3	Line

**AC Power**  
(Brad Harrison 40903-13.5)



**Interface**  
(Amphenol C09131 G012-200-12)

**INTERFACE CONNECTOR PIN ASSIGNMENTS**

PIN #	SIGNAL	SIGNAL PARAMETERS
A	Current Program	0 to 10VDC = 0 to 100% Rated Output
B	Voltage Program	0 to 10VDC = 0 to 100% Rated Output
C	Current Monitor	0 to 10VDC = 0 to 100% Rated Output
D	Voltage Monitor	0 to 10VDC = 0 to 100% Rated Output
E	Enable	TTL High = Enable
F	PS Fault	+12V = OK
G	Shield Return (Chassis)	
H	Power Supply Common	
J	Power Supply Common	
K	External Interlock	Connection between pins required for PS operation
L	External Interlock Return	
M	NC	