



Featuring VirtualSource Reflectors

8" Regressed Lensed A-Line Vertical Downlight **INC800**

One 150W A21
120V or 277V

DATE: _____ TYPE: _____

FIRM NAME: _____

PROJECT: _____



Ceiling Cutout: 8 1/4"
Maximum Ceiling Thickness: 1 1/4"
For conversion to millimeters,
multiply inches by 25.4
Not to Scale

APPLICATIONS:

The Architektür INC800 provides an 8" specification grade regressed lens downlight luminaire for a wide variety of applications including commercial, retail, and hospitality.

HOUSING:

One piece 18 gauge galvanized steel platform. Maximum 1 1/4" ceiling thickness. Prewired J-Box with snap-on cover for easy below ceiling access. Diecast aluminum heat sink.

REFLECTOR:

High purity aluminum Alzak reflector featuring Virtual Source® optical design for optimum efficiency and superior brightness control. Self-trim standard. Optional painted white self-trim available. Integral retention springs.

LENS:

All glass lens are standard tempered and designed to withstand high temperatures and high impact associated with commercial lensed downlight applications.

LAMP:

One (1) 150W A21 lamp. Lamp furnished by others.

SOCKET:

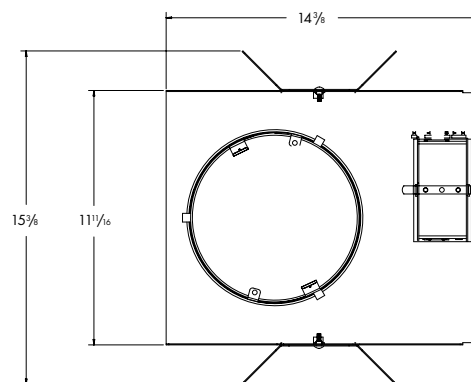
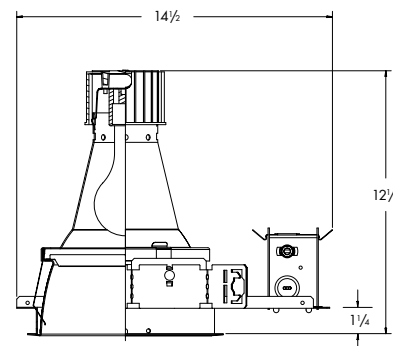
One (1) medium base porcelain socket with nickel plated screw shell.

INSTALLATION:

Universal adjustable mounting brackets accommodate 1 1/2" or 3/4" lathing channel or 1/2" EMT (by others), or Prescolite 24" bar hangers (B24 or B6).

LABELS:

UL, CSA listed for wet locations
Approved for through wiring
Thermally protected
Non-IC rated and NYC approved



CATALOG NUMBER:

EXAMPLE: INC800-STI802PWCL-B24

HOUSING	HOUSING OPTIONS	REFLECTOR FINISH	REFLECTOR COLOR	REFLECTOR OPTIONS	ACCESSORIES
<input type="checkbox"/> INC800 8" (1) 150W A21	<input type="checkbox"/> CP Chicago Plenum. (120V only) CP fixture height is 13 11/16". Fixture construction and/or specifications may vary. Refer to Chicago Plenum specification sheets on www.prescolite.com for details. <input type="checkbox"/> 277V J-Box mounted step-down transformer <input type="checkbox"/> MW75A21 Max Wattage label, 75W <input type="checkbox"/> MW100A21 Max Wattage label, 100W	<input type="checkbox"/> STI802 Specular Alzak reflector or painted option <hr/> REFLECTOR FINISH <input type="checkbox"/> Blank Specular <input type="checkbox"/> SS Semi-Specular <input type="checkbox"/> MFC American Matte Finish	<input type="checkbox"/> Blank Clear <input type="checkbox"/> CG Champagne Gold <input type="checkbox"/> PW Pewter <input type="checkbox"/> BL Black <input type="checkbox"/> WE Wheat <input type="checkbox"/> LW Light Wheat Painted Options^{1*} <input type="checkbox"/> WC² White Cone <input type="checkbox"/> BC² Black Cone	<input type="checkbox"/> DL³ Diffused lens <input type="checkbox"/> CL³ Clear lens <input type="checkbox"/> FL³ Fresnel lens <input type="checkbox"/> PL³ Prismatic lens <input type="checkbox"/> TRG Trim ring gasket (factory installed) <input type="checkbox"/> WT Painted white self-flange	<input type="checkbox"/> B24 Set of two (2) 24" bar hangers for T-bar ceilings <input type="checkbox"/> B6 Set of two (2) bar hangers for ceiling joists up to 24" centers <input type="checkbox"/> SCA8D Sloped ceiling adapter (see note on back page)

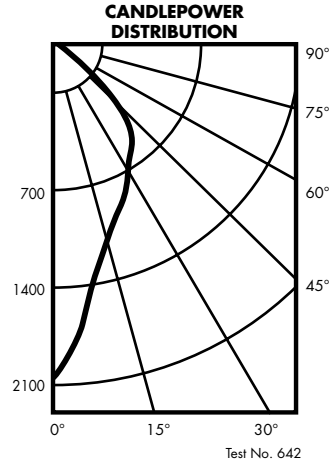
¹All painted options come standard with an upper specular clear Alzak reflector.
² Not available with MFC or SS finish
³ UL listed for wet locations

PHOTOMETRIC DATA

Architektūr - 8" Regressed Lensed Vertical Downlight - INC800

INC800-ST1802CL with Specular Clear Alzak Reflector and Clear Lens

Lamp: One 150W A21 Inside Frosted, 2850 Lumens
 Spacing Criteria: 0.5
 Efficiency: 52.4%



CANDLEPOWER SUMMARY	
Angle	Mean CP
0	2027
5	1570
10	1258
15	1061
20	896
25	788
30	658
35	611
40	517
45	343
50	130
55	51
60	36
65	7
70	1
75	1
80	1
85	0
90	0

LUMINANCE DATA IN CANDELA/SQ. METER

Angle in Vertical	Average
0°	0
45°	15933
55°	2921
65°	544
75°	127
85°	0

AVERAGE INITIAL FOOTCANDLES

- Multiple Units (Square Array)
- Ceiling 80% Wall 50% Floor 20%
- 4 fixtures evenly spaced in the center of the room.
- The room is square and has a width and length equal to twice the lamp spacing.
- The lumen depreciation factor is 0.8.
- The dirt depreciation factor is 0.98.

150W A21

SPACING	RCR1	RCR3	RCR7
7.0	26	22	16
8.0	20	17	13
9.0	16	13	10
10.0	13	11	8
11.0	10	9	7
12.0	9	8	6
13.0	7	6	5
14.0	6	6	4
15.0	6	5	4

COEFFICIENTS OF UTILIZATION Zonal Cavity Method

Room Cavity Ratio	% Effective Floor Cavity Reflectance																							
	80%				70%				50%				30%				10%				0%			
	20% Effective Floor Cavity Reflectance																							
	% Wall Reflectance																							
	70	50	30	10	70	50	30	10	50	30	10	50	30	10	50	30	10	0						
0	.62	.62	.62	.62	.61	.61	.61	.61	.58	.58	.58	.56	.56	.56	.53	.53	.53	.52						
1	.59	.57	.56	.55	.58	.56	.55	.54	.54	.53	.52	.52	.51	.51	.50	.50	.49	.48						
2	.56	.53	.51	.49	.55	.52	.50	.48	.50	.48	.47	.49	.47	.46	.47	.46	.45	.44						
3	.52	.49	.46	.43	.51	.48	.45	.43	.47	.44	.42	.45	.43	.42	.44	.42	.41	.40						
4	.49	.45	.42	.39	.48	.44	.41	.39	.43	.41	.38	.42	.40	.38	.41	.39	.38	.37						
5	.46	.41	.38	.36	.45	.41	.38	.35	.40	.37	.35	.39	.37	.35	.38	.36	.34	.34						
6	.44	.38	.35	.32	.43	.38	.35	.32	.37	.34	.32	.36	.34	.32	.36	.33	.32	.31						
7	.41	.36	.32	.30	.40	.35	.32	.30	.35	.32	.30	.34	.31	.29	.33	.31	.29	.28						
8	.39	.33	.30	.27	.38	.33	.30	.27	.32	.29	.27	.32	.29	.27	.31	.29	.27	.26						
9	.37	.31	.28	.25	.36	.31	.28	.25	.30	.27	.25	.30	.27	.25	.29	.27	.25	.24						
10	.35	.29	.26	.24	.34	.29	.26	.24	.29	.26	.24	.28	.25	.23	.28	.25	.23	.23						

INC800-ST1802 150W A21 I.F.

Test No. 642

NOTES

⊙ vs Denotes a Virtual Source reflector.

When ordering a sloped ceiling adapter, specify the degree of slope in 1° increments, max. of 35°. For a more precise degree or wet ceiling applications, please contact factory. The SCA must be installed at the time of housing installation.

Refer to www.prescolite.com for additional photometric tests (IES Files).