

Rev	AWO #	Description	Date	Appr
-		RELEASED	7/20/11	

6

5

4

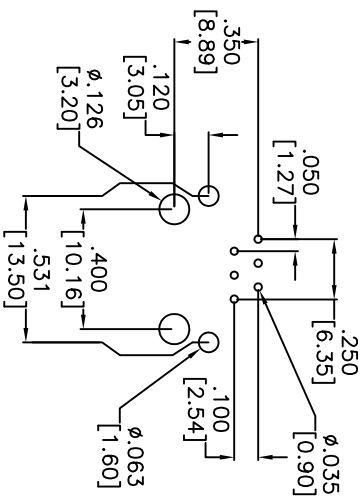
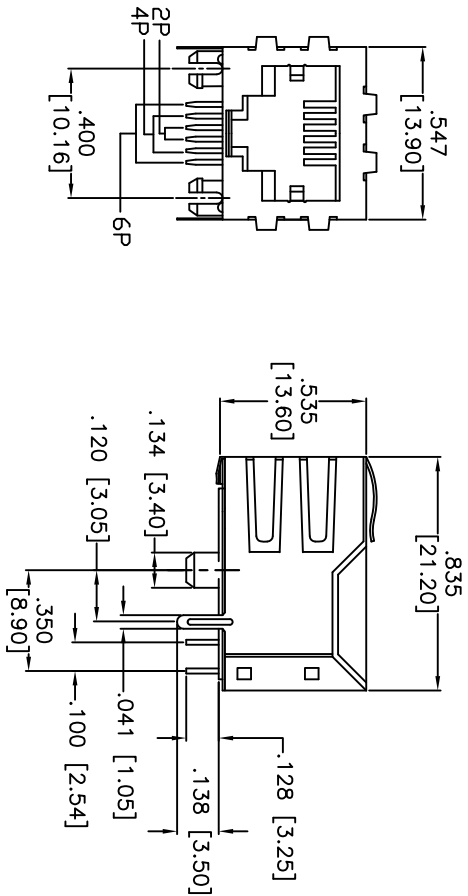
3

2

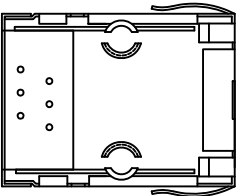
1

APPROVED: _____

DATE: _____ TITLE: _____



RECOMMENDED PCB LAYOUT



SPECIFICATIONS:

Material:

Insulator: PBT, rated UL 94V-0

Insulator color: Black

Contacts: Phosphor Bronze

Shield: Copper Alloy, Nickel plated

Plating:

Gold over Nickel underplate on contact area,

Tin over Copper underplate on PCB tails.

(See chart for thickness)

Electrical:

Operating voltage: 125 VAC max

Current rating: 1.5 Amps max

Contact resistance: 35 mohms max

Insulation resistance: 1000 Mohms min @ 500 VDC

Dielectric withstanding voltage: 1000 VAC for 1 minute

Temperature Rating:

Operating temperature: -40°C to +85°C

Environmental:

Lead free, RoHS compliant.

Recommended soldering temp: 235°C for 5 sec.

X	PLATING
0	15 μ in Gold
1	30 μ in Gold
2	50 μ in Gold

ADAM TECH

909 Rahway Avenue, Union, NJ 07083

Phone: 908-687-5000 Fax: 908-687-5710

MODULAR TELEPHONE JACK, 6P6C
RIGHT ANGLE, PCB

TITLE

DRAWN

CHECKED

APPROVED

DATE

DATE

DATE

UNLESS OTHERWISE SPECIFIED
ALL DIMENSIONS ARE INCHES [MM]
TOLERANCES: EXCEPT AS NOTED
INCHES HOLEES

.X ± .10 Ø.X ± .10

.XX ± .020 Ø.XX ± .015

.XXX ± .015 Ø.XXX ± .010

APPROVALS

DRAWN

CHECKED

APPROVED

SIZE

PART NO.

REV.

REF: S00065T

SCALE: NTS

SHEET 1 OF 1

REV.

SHEET 1 OF 1

A

B

C

D

A

B

C

D



6

5

4

3

2

1