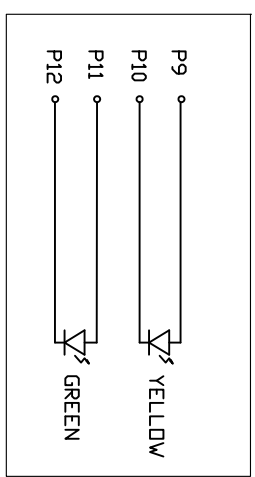
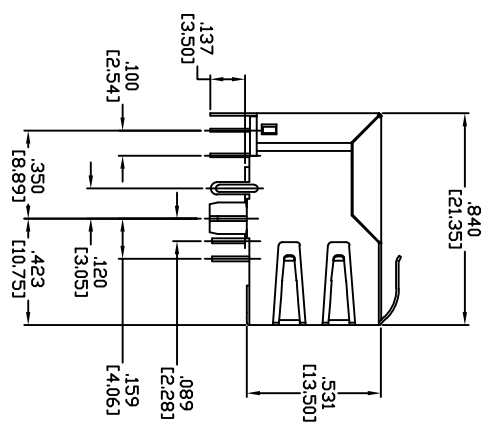
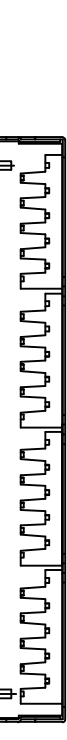
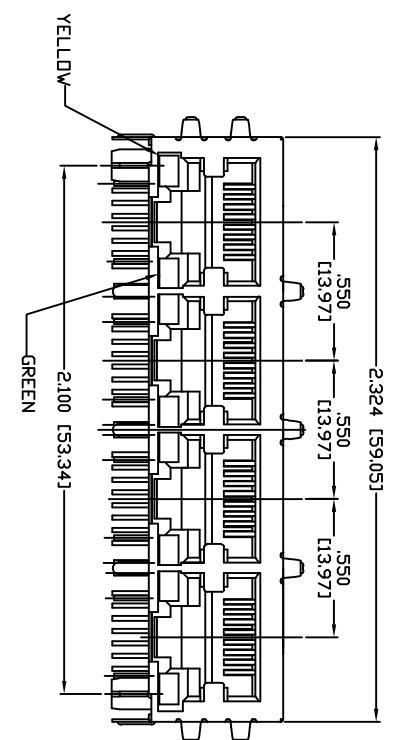


Rev	AWO #	Description	Date	Appr
-		RELEASED	4/01/10	

APPROVED: \_\_\_\_\_

DATE: \_\_\_\_\_

TITLE: \_\_\_\_\_



LED SPECIFICATION			
STANDARD LED	WAVELENGTH	Forward V(max)	Typ
YELLOW	590nm	2.5V	2.1V
GREEN	565nm	2.4V	2.2V

WITH A FORWARD CURRENT OF 20mA

**SPECIFICATIONS:**

Material: Insulator: Hi-temp thermoplastic, rated UL 94V-0  
 Insulator color: Black  
 Contacts: Phosphor Bronze  
 Shield: Copper Alloy, Tin plated  
 Plating:

X plating over Nickel underplate on contact area,  
 Tin over Copper underplate on solder tails

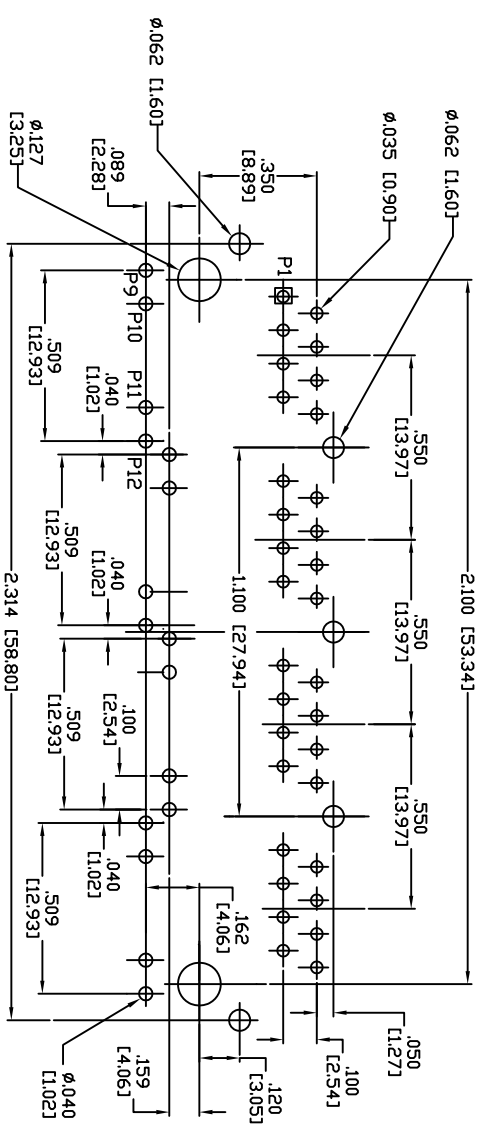
**Electrical:**

Operating voltage: 150 VAC max  
 Current rating: 1.5 Amps max  
 Insulation resistance: 500 Mohms min @ 500 VDC  
 Dielectric withstanding voltage: 1000 VAC for 1 minute

Temperature Rating: Operating temperature: -40°C to +125°C

Environmental: Lead free, RoHS compliant.

Recommended soldering temp: 260°C for 5 sec.



"X"	PLATING
0	15 uin Gold
1	30 uin Gold
2	50 uin Gold

UNLESS OTHERWISE SPECIFIED  
 ALL DIMENSIONS ARE MM [INCHES]  
 TOLERANCES: EXCEPT AS NOTED  
 INCHES

.X	± .10	Ø.X	± .10
.XX	± .020	Ø.XXX	± .015
.XXX	± .015	Ø.XXX	± .010

APPROVALS

DRAWN	DRY	4/01/10
CHECKED		
APPROVED		

**ADAM TECH**

909 Rahway Avenue, Union, NJ 07083  
 Phone: 908-687-5000 Fax: 908-687-5710

TITLE: MODULAR JACK GANGED, 4 PORT, 8P8C  
 W/ LED1 YELLOW, LED2 GREEN

SIZE	PART NO.	REV.
X	MTJG-4-88TX1-FSD-PG-LGHT	-
REF: S00005C	SCALE: NTS	SHEET 1 OF 1