

OLED DISPLAY SOLUTIONS

Pictiva™ 1.2-inch 96x64 OLED display



OS096064PK12MxxAxx

Features

- Long-life OLED: up to 40K hrs lifetime to 50% luminance
- High brightness, Fast response
- High-contrast, 180° viewing angle
- Ultra-thin structure
- Low power consumption

Benefits

- Meets low cost graphic needs
- Video frame rate capable
- Suitable for battery-operated units

Applications

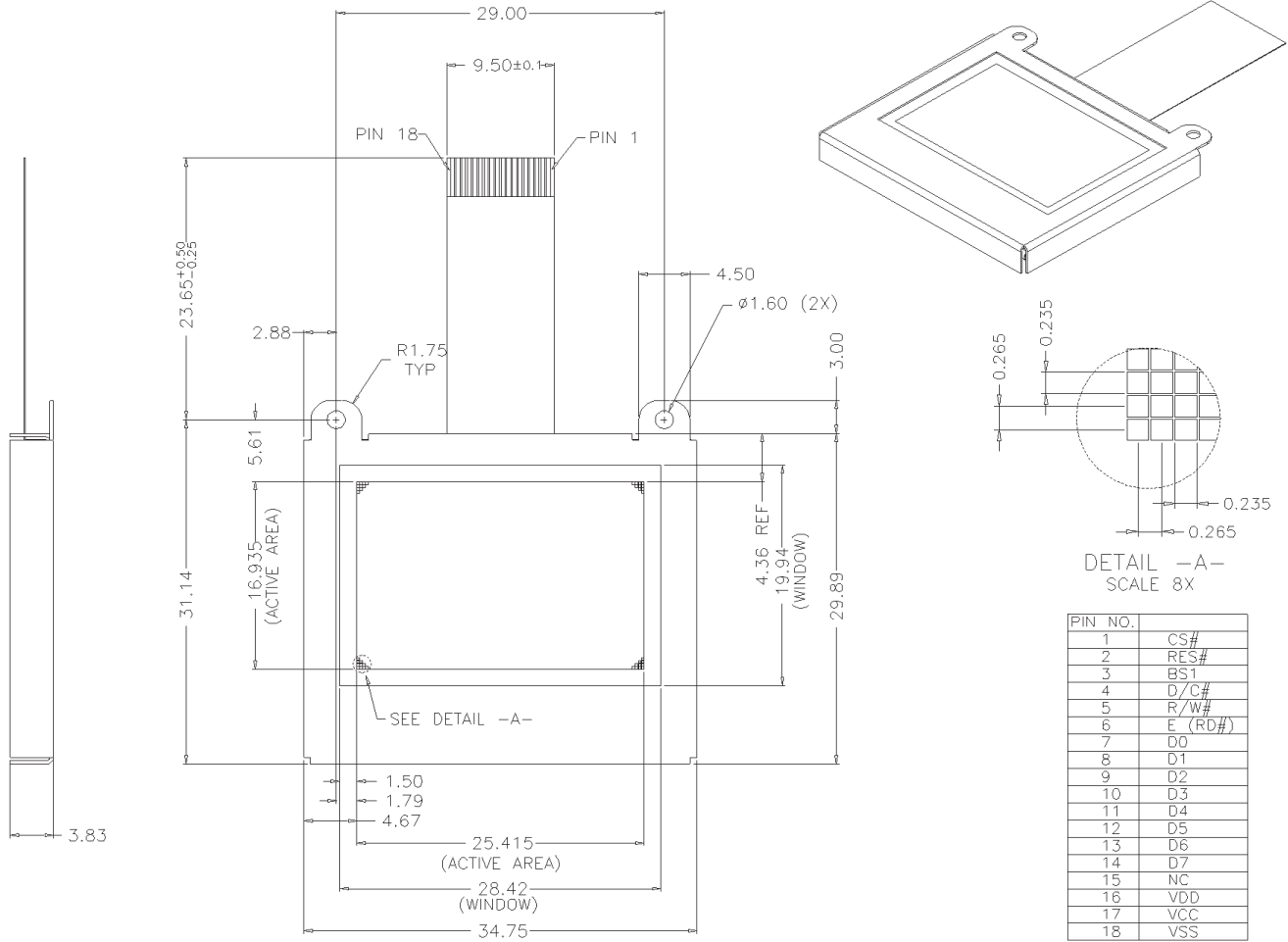
- Audio Equipment
- Mobile Phone sub-display
- MP3 player
- Mobile devices
- Industrial equipment
- Personal care devices

Specifications

Display Format	96 Columns x 64 Rows				
Diagonal	1.2 inch				
Pixel Pitch	0.265 mm x 0.265 mm				
Color, Luminance & Lifetime	Color On Demand	CIE x	CIE y	cd/m ²	Lifetime hrs, 25°C
	Elegance Yellow	0.46	0.54	100/200*	40K/10K*
	Lime Green	0.37	0.62	100	10K
	Tiger Orange	0.63	0.37	60	10K
Grayscale	4 bit				
Active Area	25.42 (W) X 16.94 (H) mm				
Module Size	34.75 (W) X 31.14 (H) X 3.83 (T) mm, excluding bezel tabs and flex; Option: no bezel				
Viewing Angle	180°				
Contrast Ratio	2000:1 dark ambient				
Temperature	-30°C to +70°C Operating				
Voltage	2.4V – 3.5V (Logic) 12V – 13V (OLED Supply)				
Power	0.05 mW (Sleep Mode)				
Interface	Parallel or Serial, ZIF interconnect				
Driver	SSD0323 on COF				
Weight	4.5g nominal (excluding bezel)				

* High Brightness Mode

Mechanical Dimensions and Pin Description



Ordering Information

Part Number	Order Number	Description
OS096064PK12MY0A00	Q65110A1669	Pictiva™ 1.2 inch 96x64 OLED Display, Elegance Yellow, parallel
OS096064PK12MY0A01	Q65110A1670	Pictiva™ 1.2 inch 96x64 OLED Display, Elegance Yellow, serial
OS096064PK12MG1A00	Q65110A3431	Pictiva™ 1.2 inch 96x64 OLED Display, Lime Green, parallel
OS096064PK12MO1A00	Q65110A3433	Pictiva™ 1.2 inch 96x64 OLED Display, Tiger Orange, parallel

Contact Information

OSRAM Opto Semiconductors

Asia: +60(4) 631-8100 prasia@osram-os.com
 Europe: +49 (0)941-850-3535 pr@osram-os.com
 North America: +1-888-446-7726 ext.4310 info@osram-os.com
 Web: www.pictiva.com