

Features

- IEEE.802.3 Ethernet compatible
- Dual channel 16-pin SMD
- Lead free versions available (see How to Order)
- Lead free versions are RoHS compliant*

Applications

- Ethernet

PT61011 - LAN 10/100 Base-Tx

Electrical Specifications @ 25 °C

Inductance - Open Circuit350 μ H min.
(100 KHz, 0.2 V with 8 mA DC bias)
Turns Ratio (± 2 %)
.....TX 1CT : 1CT; RX 1CT : 1 CT
Leakage Inductance0.5 μ H max.
DCR0.9 ohms max.
Insertion Loss
0.1 - 100 MHz-1.0 dB max.
Return Loss (@ 100 ohms)
0.1 - 30 MHz-18 dB min.
30 - 60 MHz-14 dB min.
60 - 80 MHz-11 dB min.
Cross Talk
0.1 - 100 MHz-35 dB min.
Common Mode Rejection Ratio
1 - 100 MHz-40 dB typ.
Cww25 pF max.
Isolation1500 VAC
Operating Temperature0 °C to +70 °C

*CT: Center tap

Packaging Specifications

Tube18 pcs./tube
Reel.....750 pcs./reel

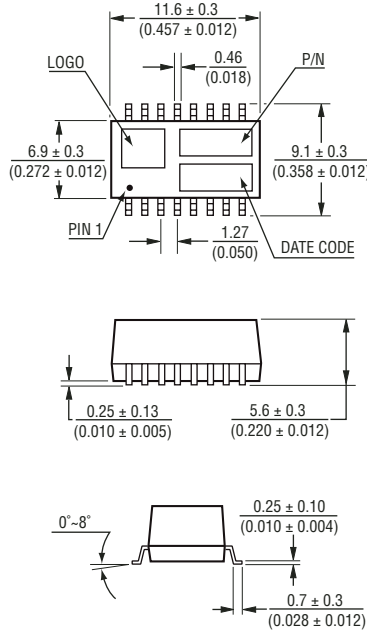
How to Order

Model **PT61011**

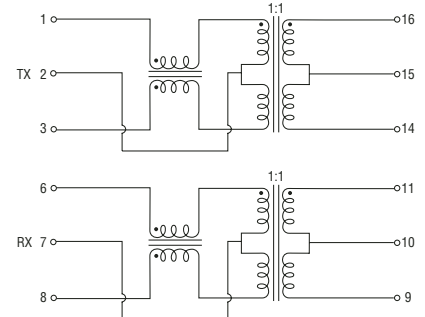
Packaging
Blank = 18 pcs./tube
E = 750 pcs./reel

Termination Coating
Blank = Tin-lead
L = 100 % Tin (lead free)

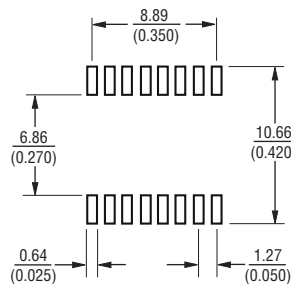
Product Dimensions



Electrical Schematic



Recommended Layout



DIMENSIONS ARE: $\frac{\text{MM}}{\text{(INCHES)}}$



Reliable Electronic Solutions

Asia-Pacific:
 TEL +886-2 25624117 • FAX +886-2 25624116
Europe:
 TEL +41-41 7685555 • FAX +41-41 7685510
The Americas:
 TEL +1-951 781-5500 • FAX +1-951 781-5700
www.bourns.com

REV. 04/06

*RoHS Directive 2002/95/EC Jan 27 2003 including Annex
 Specifications are subject to change without notice.

Customers should verify actual device performance in their specific applications.