



# Ethernet

## Power Contact and Surge Protection

### Solution Products



PT61020L  
Quad Transformer



TBU-DT085-200-WH



CDSOT236-0504C

### Design Kit



PN-DESIGNKIT-23

### Objective

Ethernet interfaces are digital signals operating on a 125 MHz clock. Exposed ports may require protection against induced lightning and power contact events.

### Solution

- 1 Quad Transformer: PT61020L
- 2 TVS Diode Arrays: CDSOT236-0504C
- 4 TBU® Devices: TBU-DT085-200-WH

### Compliance

Telcordia GR-1089-CORE Lightning and Power Contact and IEC 61000-4-2 Level 4 ESD.

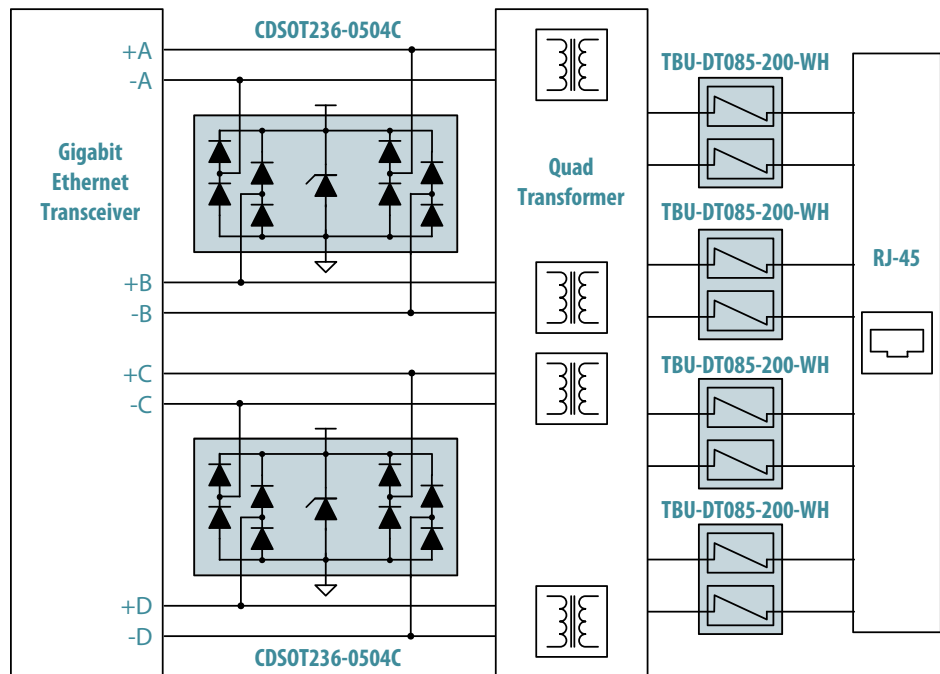
### Alternate Recommendations

Other PortNote™ Solutions:

- Ethernet: ESD Protection
- Ethernet: PoE Protection
- Ethernet: ESD and Surge Protection

### Benefit

The TVS diode array and TBU® device combination provides power contact and surge protection without impairing the Ethernet signal.



The schematic above illustrates the application protection and does not constitute the complete circuit design. Customers should verify actual device performance in their specific applications.