

**STRIP LIGHT, RGB COLOR**

**TLS-SMD-10H-RGB**

**Features:**

- 573.5mm\*10mm SMD strip light (30 LED)
- 1.6mm PCB thickness.
- 12VDC Voltage
- 600mA working current
- Package: 1pcs/PVC tube
- RoHs Compliance



■ **Absolute maximum ratings (Ta=25°C)**

| Parameter                            | Rating  | Unit |
|--------------------------------------|---|------|
| Forward Current $I_f$                | 600   | mA   |
| Power Dissipation $P_d$              | 7.2   | mW   |
| Electrostatic discharge ESD          | 800   | V    |
| Operation Temperature $T_{OPR}$      | -25 to +60  |      |
| Storage Temperature $T_{STG}$        | -40 to +85  |      |
| Lead Soldering Temperature $T_{SOL}$ | Max.260 ± 5 for 3 sec Max.<br>(1.6mm from the base of the epoxy bulb) |      |

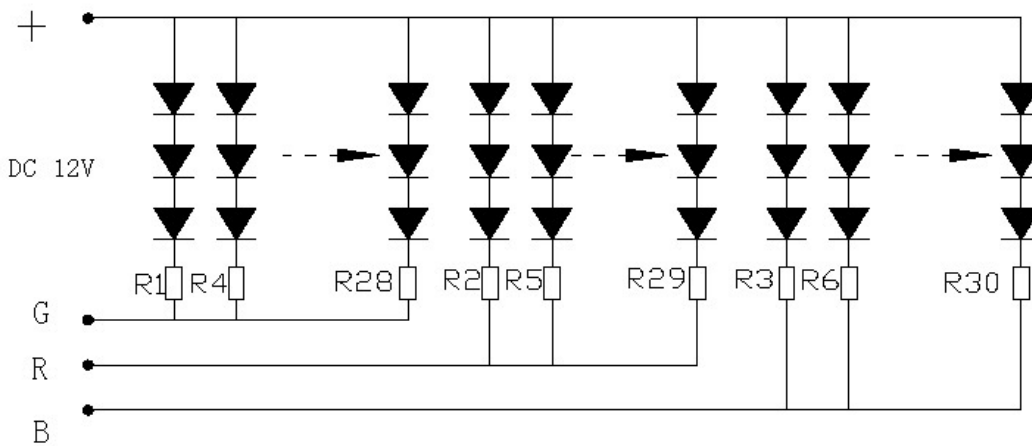
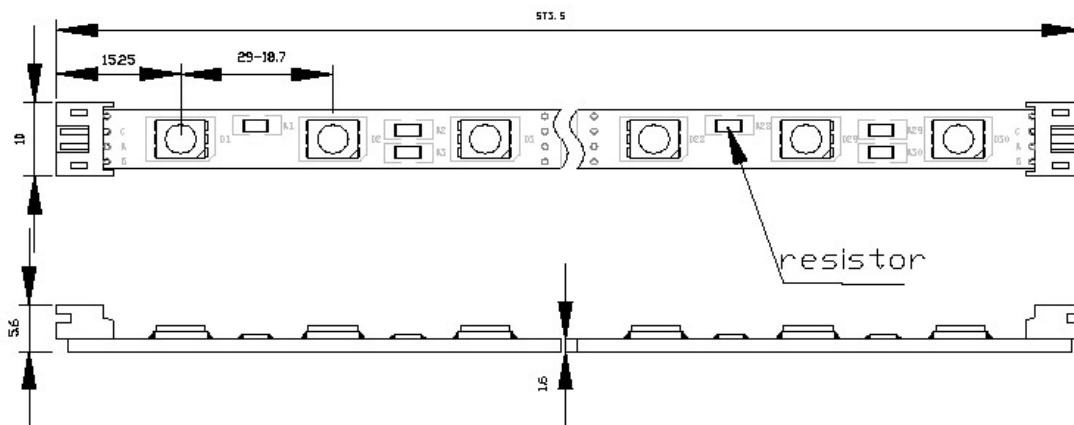
■ **Electrical-Optical Characteristics (Ta=25°C)**

| Parameter                       | Color |       | Min | Typ. | Max | Unit |
|---------------------------------|-------|-------|-----|------|-----|------|
| Forward Voltage DC $V_F$        | RGB   | 600mA |     | 12   | -   | V    |
| Dominant Wavelength $\lambda_D$ | R     | 200mA | 621 | 624  | -   | nm   |
|                                 | G     | 200mA | 516 | 518  | -   |      |
|                                 | B     | 200mA | 470 | 471  | -   |      |
| Luminous Flux                   | R     | 200mA | -   | 22   | -   | lm   |
|                                 | G     | 200mA | -   | 55   | -   |      |
|                                 | B     | 200mA | -   | 22   | -   |      |
| Recommend Forward Current $I_F$ | -     | -     | -   | 600  | -   | mA   |

STRIP LIGHT, RGB COLOR

TLS-SMD-10H-RGB

Package configuration & Internal circuit diagram



Notes:

1. All dimensions are in millimeters (inches)
2. Tolerance is  $\pm 1\text{mm}(0.01\text{'})$  unless otherwise noted.
3. Specifications are subject to change without notice.