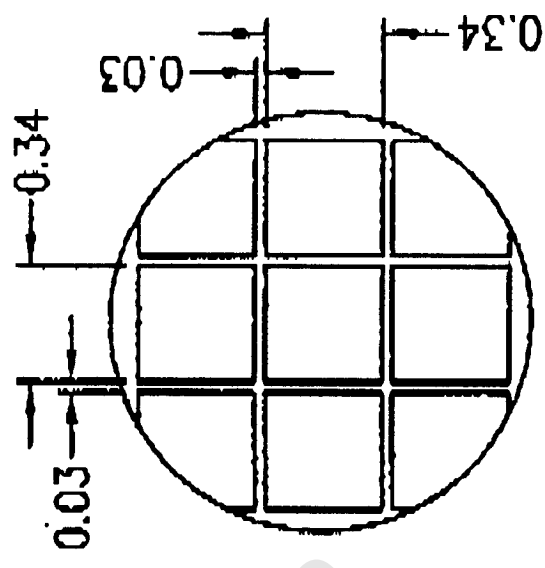


液晶之友 电话: 020-33819057
Http://www.lcdfriends.com

DETAIL A:



1	2	3	4	5	6	7	8	9	10	11	12	13	14	15	16	17	18	19	20
VSS	VDD	RS	R/W	E	D7	D6	D5	D4	D3	D2	D1	D0	CS1	CS2	CS3	CS4	RES	K	A

- NOTES:
1. DISPLAY TYPE: FSTN
 2. VIEWING DIRECTION: 12:00
 3. POLARIZER MODE: TRANSPARENT/POSITIVE
 4. DRIVE METHOD: 1/64 DUTY 1/9 BIAS
 5. LCD OPERATING VOLTAGE: 11.0V
 6. OPERATING TEMP: -20°C~+70°C
 7. STORAGE TEMP: -30°C~+80°C
 8. CONTROLLER: S6B0108A01-COCX
 9. BACKLIGHT: LED
 10. BEZEL IS TO BE PAINTED BLACK
 11. UNMARKED TOLERANCE: ±0.3mm

TIAN-MA MICROELECTRONICS CO.
6/F., CASTIC Building, Sherman Road, Central, Shenzhen, China

DRAWN BY: [Signature] 1/8-04
CHECKED BY: [Signature] 1/8-04
APPROVED BY: [Signature] 1/8-04
CONFIRMED BY:

TITLE: TM240640CCWU6
DWG NO: G-1
SCALE: UNIT: mm

DWG NAME: TM240640CCWU6-1 SHEET NO: 1 OF 1