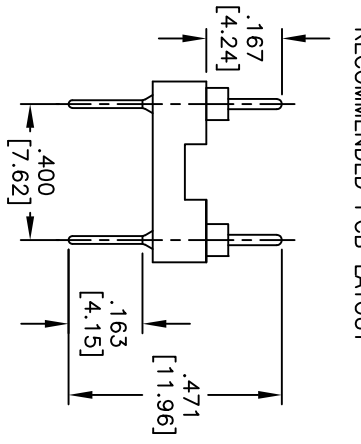
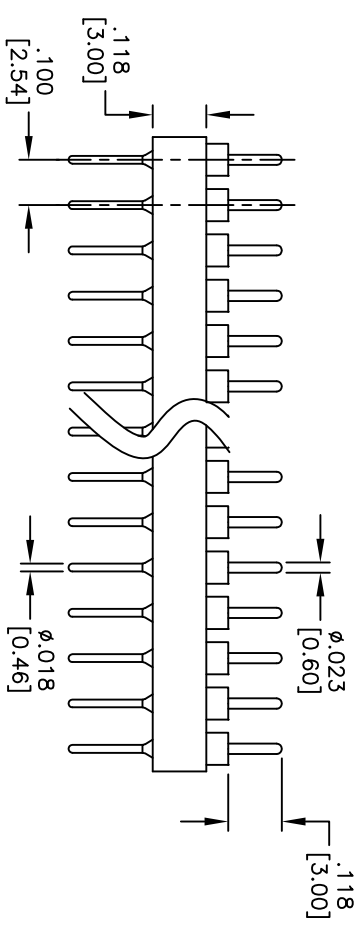
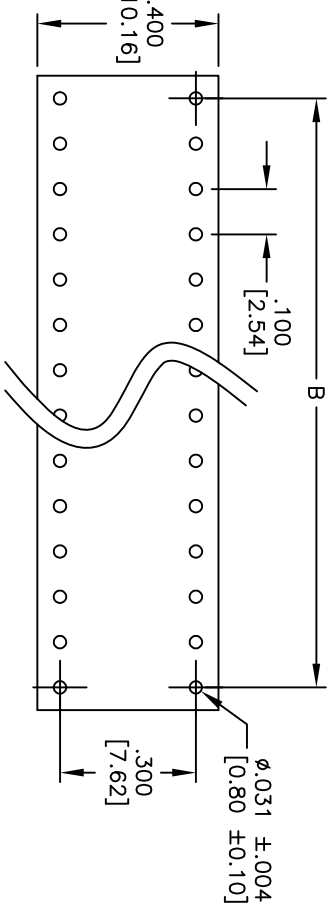
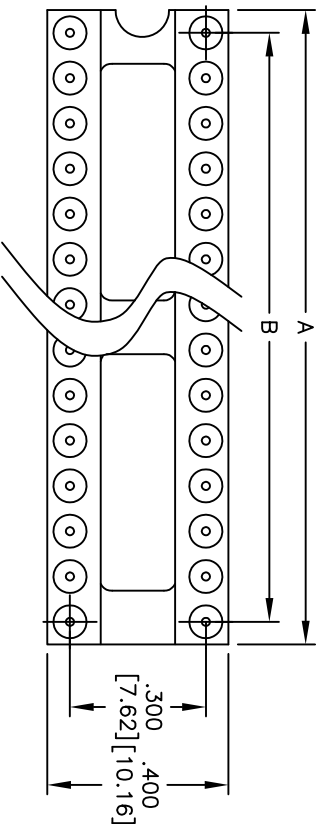


Rev	AWO #	Description	Date	Appr
-		RELEASED	8/02/10	

APPROVED: \_\_\_\_\_  
 DATE: \_\_\_\_\_ TITLE: \_\_\_\_\_



RECOMMENDED PCB LAYOUT

Positions: 06, 08, 10, 14, 16, 18, 20, 24 & 28  
 A = .100 [2.54] x No. of Positions per row  
 B = .100 [2.54] x No. of Spaces

**SPECIFICATIONS:**  
 Material: Insulator: PBT, Glass reinforced, rated UL 94V-0  
 Insulator color: Black  
 Contacts: Brass  
 Plating: Gold flash over Nickel underplate overall  
 Electrical: Current rating: 3 Amp max  
 Insulation resistance: 1,000 Mohms min  
 Temperature Rating: Operating temperature: -55°C to +105°C  
 Environmental: Lead free, RoHS compliant  
 Recommended soldering temp: 235°C for 5 seconds

UNLESS OTHERWISE SPECIFIED  
 ALL DIMENSIONS ARE INCHES [MM]  
 TOLERANCES: EXCEPT AS NOTED

INCHES	HOLDS
.X ± .10	ØX ± .10
.XX ± .020	ØXX ± .015
.XXX ± .015	ØXXX ± .010

**ADAM TECH**  
 909 Rahway Avenue, Union, NJ 07083  
 Phone: 908-687-5000 Fax: 908-687-5710

**TITLE**  
 SCREW MACHINE TERMINAL STRIP  
 .100 [2.54] SPACING, GOLD PLATED

APPROVALS	DATE	SIZE	PART NO.	SCALE	SHEET 1 OF 1
DRAWN	DY	8/02/10	TMC-3XX-1-G	NTS	
CHECKED					
APPROVED					



6 5 4 3 2 1