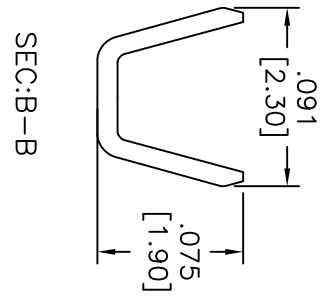
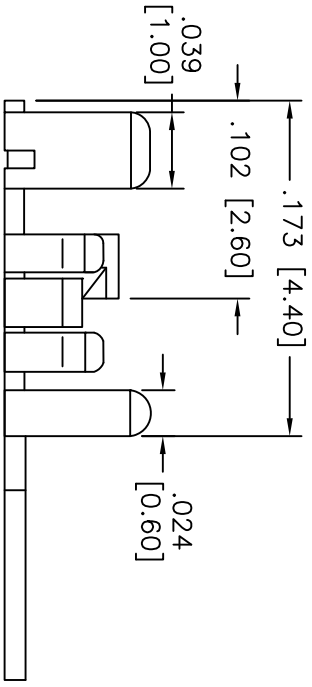
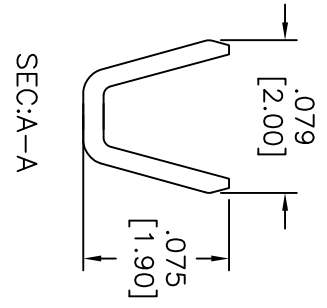
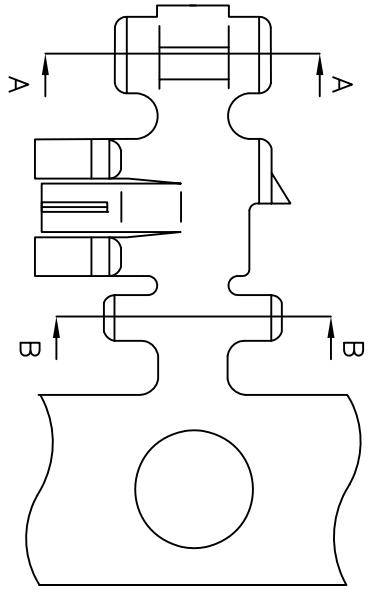


Rev	AWO #	Description	Date	Appr
-		RELEASED	12/1/10	

APPROVED: \_\_\_\_\_  
 DATE: \_\_\_\_\_ TITLE: \_\_\_\_\_



**SPECIFICATIONS:**

Material: Phosphor Bronze  
 Plating: Tin Plated  
 Thickness: 0.25mm  
 Wire Range: AWG#22~#28  
 Specification:  
 Voltage Rating: 100V AC,DC  
 Current Rating: 2A AC,DC max.  
 Contact resistance: 20 Mohms max.  
 Dielectric withstanding voltage: 800V AC/minute  
 Operating temperature: -25°C to +85°C  
**Environmental:**  
 Lead free, RoHS compliant.



UNLESS OTHERWISE SPECIFIED  
 ALL DIMENSIONS ARE INCHES [MM]  
 TOLERANCES: EXCEPT AS NOTED

INCHES	HOLES
.X ± .10	ØX ± .10
.XX ± .020	ØXXX ± .015
.XXX ± .015	ØXXXX ± .010

APPROVALS

DATE	DATE
AY	12/1/10
AH	12/1/10

**ADAM TECH**  
 909 Railway Avenue, Union, NJ 07083  
 Phone: 908-687-5000 Fax: 908-687-5710

TITLE  
**CRIMP CONTACT**

DRAWN	AY	12/1/10
CHECKED	AH	12/1/10
APPROVED		

SIZE	PART NO.	SCALE	SHEET	REV.
X	2CTD1-R	NTS	1 OF 1	-