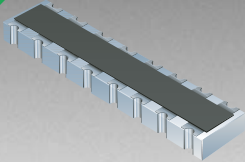


*RoHS COMPLIANT



BOURNS®

Features

- HIGH PERFORMANCE TERMINATION NETWORK
- Miniaturized circuitry and packaging for space reduction
- Designed for gigabit communication networks
- Controlled impedance
- RoHS compliant*

CAT16-PT4F4LF - Concave Chip Array

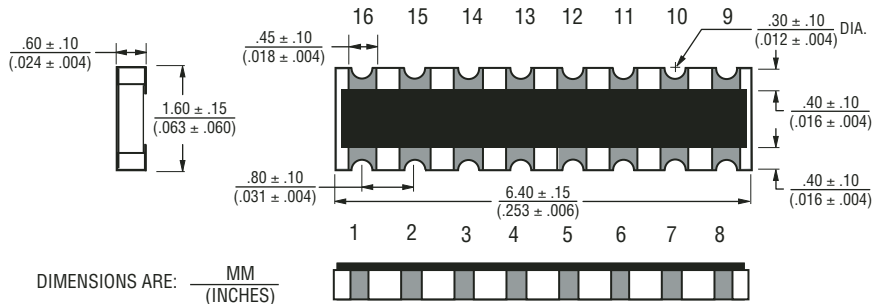
Electrical Characteristics

Resistance

R1	100 ohms
TCR	±200 ppm/°C
Temperature Range	-55 °C to +125 °C
Max. Operating Voltage	5 VDC
Max. Power Resistance0625 W
Solderability	>95 % Coverage

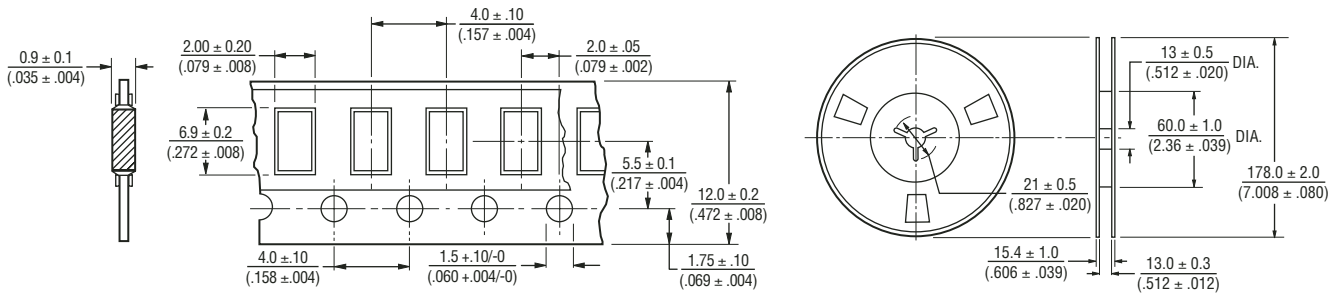
For Standard Values Used in Capacitors, Inductors, and Resistors, [click here](#).

Product Dimensions

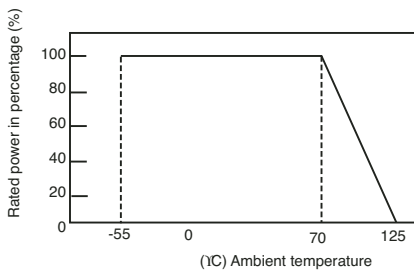


Packaging Specifications

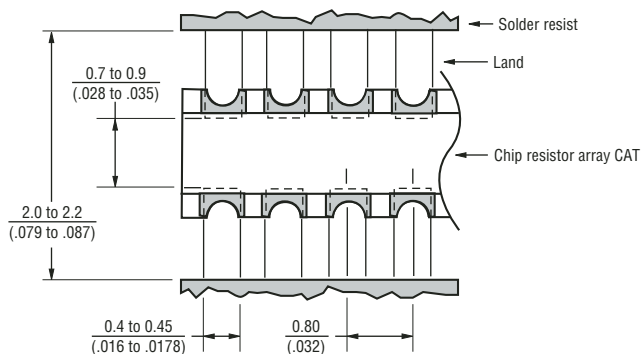
4000 pcs - per 7" reel



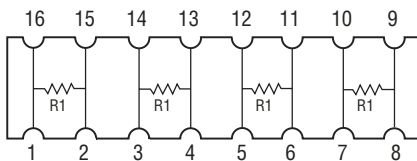
Derating Curve



Land Pattern



Schematic



REV. 11/06

*RoHS Directive 2002/95/EC Jan 27 2003 including Annex. Specifications are subject to change without notice. Customers should verify actual device performance in their specific applications.