

**CMXESD70-4****SURFACE MOUNT SILICON  
LOW CAPACITANCE  
ESD PROTECTION  
4-LINE DIODE ARRAY**[www.centrasemi.com](http://www.centrasemi.com)**SOT-26 CASE****DESCRIPTION:**

The CENTRAL SEMICONDUCTOR CMXESD70-4 is a 4-line silicon diode array packaged in the SOT-26 surface mount case. This device, with its low capacitance, is designed to protect four high speed data or transmission lines from over-voltage transients and ESD damage.

**MARKING CODE: CTV70****APPLICATIONS:**

- USB 2.0 power and data line protection
- HDMI
- DVI
- Ethernet ports

**FEATURES:**

- Low capacitance
- Protects four I/O lines
- Protects supply voltage rail

**MAXIMUM RATINGS:** ( $T_A=25^\circ\text{C}$ )

Peak Repetitive Reverse Voltage
Continuous Reverse Voltage
Continuous Forward Current
Peak Repetitive Forward Current
Peak Forward Surge Current, $t_p=1.0\mu\text{s}$
Peak Forward Surge Current, $t_p=1.0\text{s}$
ESD Voltage (IEC 61000-4-2, Air)
ESD Voltage (IEC 61000-4-2, Contact)
Operating and Storage Junction Temperature
Thermal Resistance

**SYMBOL**

$V_{RRM}$	70
$V_R$	70
$I_F$	200
$I_{FRM}$	450
$I_{FSM}$	2.0
$I_{FSM}$	0.5
$V_{ESD}$	15
$V_{ESD}$	8.0
$T_J, T_{stg}$	-55 to +150
$\theta_{JA}$	556

**UNITS**

V
V
mA
mA
A
A
kV
kV
$^\circ\text{C}$
$^\circ\text{C/W}$

**ELECTRICAL CHARACTERISTICS PER DIODE:** ( $T_A=25^\circ\text{C}$  unless otherwise noted)

SYMBOL	TEST CONDITIONS	MIN	TYP	MAX	UNITS
$I_R$	$V_R=3.3\text{V}$		12	30	nA
$I_R$	$V_R=70\text{V}$		0.03	1.0	$\mu\text{A}$
$I_R$	$V_R=70\text{V}, T_J=150^\circ\text{C}$		55	100	$\mu\text{A}$
$BV_R$	$I_R=100\mu\text{A}$	70			V
$V_F$	$I_F=1.0\text{mA}$		0.61	0.715	V
$V_F$	$I_F=10\text{mA}$		0.74	0.855	V
$V_F$	$I_F=50\text{mA}$		0.88	1.0	V
$V_F$	$I_F=150\text{mA}$		1.07	1.25	V
$C_J$	$V_R=0\text{V}, f=1.0\text{MHz}$ (I/O to I/O)		0.45	0.9	pF
$C_J$	$V_R=0\text{V}, f=1.0\text{MHz}$ (I/O to GND)		0.77	1.0	pF

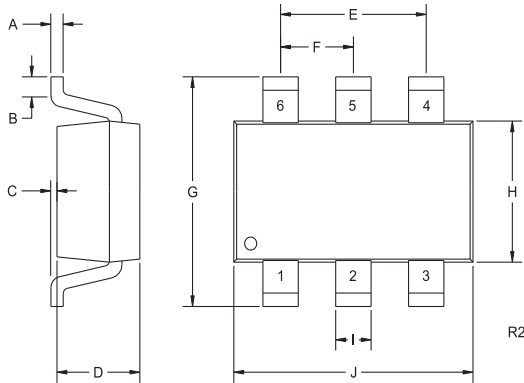
R3 (2-April 2015)

CMXESD70-4

**SURFACE MOUNT SILICON  
LOW CAPACITANCE  
ESD PROTECTION  
4-LINE DIODE ARRAY**



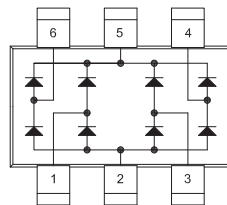
**SOT-26 CASE - MECHANICAL OUTLINE**



SYMBOL	INCHES		MILLIMETERS	
	MIN	MAX	MIN	MAX
A	0.004	0.007	0.11	0.19
B	0.016	-	0.40	-
C	-	0.004	-	0.10
D	0.039	0.047	1.00	1.20
E	0.074	0.075	1.88	1.92
F	0.037	0.038	0.93	0.97
G	0.102	0.118	2.60	3.00
H	0.059	0.067	1.50	1.70
I	0.016		0.41	
J	0.110	0.118	2.80	3.00

SOT-26 (REV: R2)

**PIN CONFIGURATION**

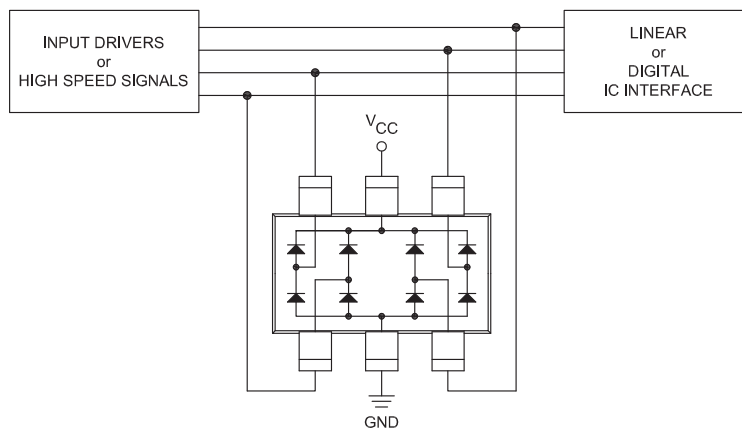


**LEAD CODE:**

- 1) I/O 1
- 2) Ground
- 3) I/O 2
- 4) I/O 3
- 5) Supply Voltage ( $V_{CC}$ )
- 6) I/O 4

**MARKING CODE: CTV70**

**Theory of operation:** In this configuration, when the transient voltage exceeds the sum of the diode forward voltage drop ( $V_F$ ), plus the supply voltage ( $V_{CC}$ ), the diode will direct the surge to the supply, thereby protecting the high speed data line.



R3 (2-April 2015)

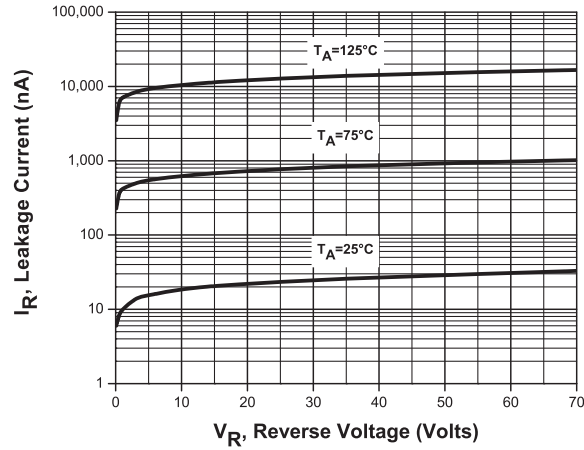
CMXESD70-4

SURFACE MOUNT SILICON  
LOW CAPACITANCE  
ESD PROTECTION  
4-LINE DIODE ARRAY

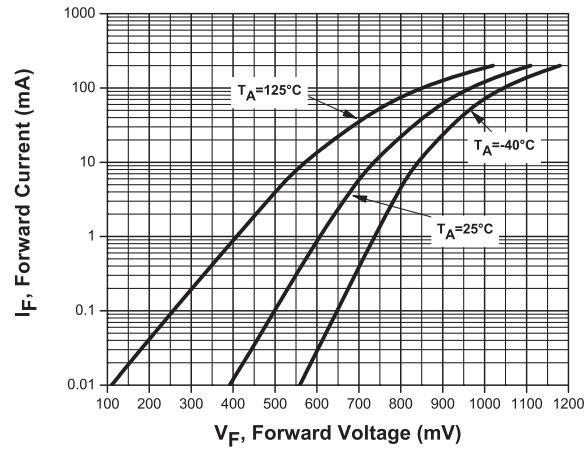


### TYPICAL ELECTRICAL CHARACTERISTICS

Typical Per Diode Leakage Current



Typical Per Diode Forward Voltage



R3 (2-April 2015)

CMXESD70-4

**SURFACE MOUNT SILICON  
LOW CAPACITANCE  
ESD PROTECTION  
4-LINE DIODE ARRAY**



#### **SERVICES**

- Bonded Inventory
- Custom Electrical Screening
- Custom Electrical Characteristic Curves
- SPICE Models
- Custom Packaging
- Package Base Options
- Custom Device Development/ Multi Discrete Modules (MDM™)
- Bare Die Available for Hybrid Applications

---

**LIMITATIONS AND DAMAGES DISCLAIMER:** In no event shall Central be liable for any collateral, indirect, punitive, incidental, consequential, or exemplary damages in connection with or arising out of a purchase order or contract or the use of products provided hereunder, regardless of whether Central has been advised of the possibility of such damages. Excluded damages shall include, but not be restricted to: cost of removal or reinstallation, rework, ancillary costs to the procurement of substitute products, loss of profits, loss of savings, loss of use, loss of data, or business interruption. No claim, suit, or action shall be brought against Central more than two (2) years after the related cause of action has occurred.

In no event shall Central's aggregate liability from any warranty, indemnity, or other obligation arising out of or in connection with a purchase order or contract, or any use of any Central product provided hereunder, exceed the total amount paid to Central for the specific products sold under a purchase order or contract with respect to which losses or damages are claimed. The existence of more than one (1) claim against the specific products sold to Buyer under a purchase order or contract shall not enlarge or extend this limit.

Buyer understands and agrees that the foregoing liability limitations are essential elements of a purchase order or contract and that in the absence of such limitations, the material and economic terms of the purchase order or contract would be substantially different.

R3 (2-April 2015)