

2-WAY POWER DIVIDER

CONNECTORIZED MODEL: DSK-721S

WIDE BANDWIDTH

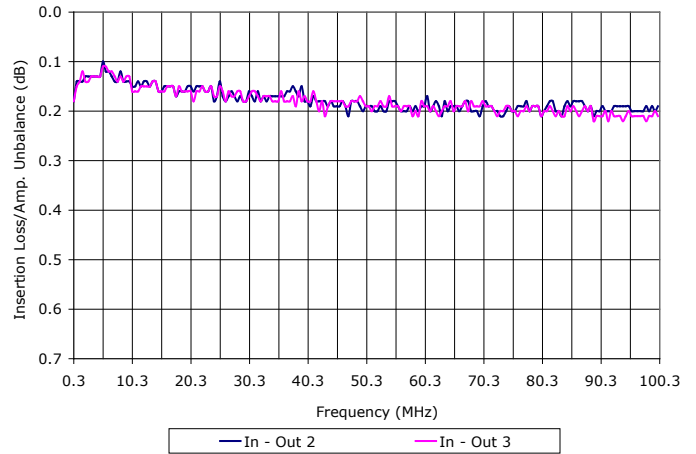
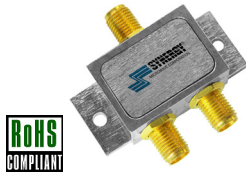
0.3 - 100 MHz

FEATURES:

- ▶ Excellent Performance
- ▶ Moderate Power

APPLICATIONS:

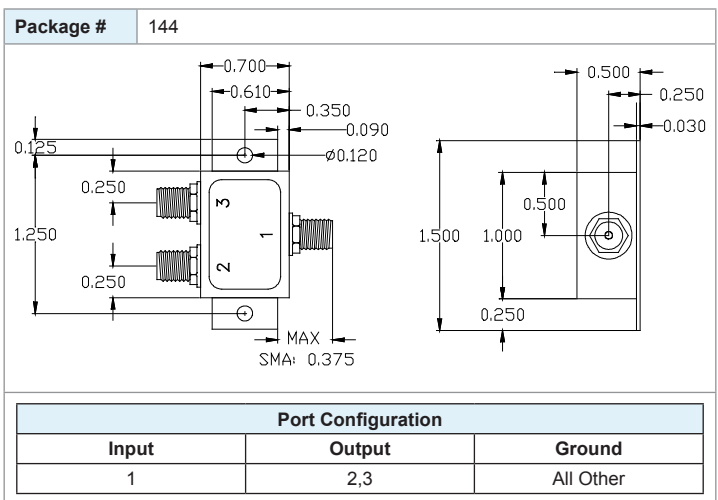
- ▶ Signal Splitting & Low Power Combining



SPECIFICATIONS (Rev. B 05/06/14)

Frequency	0.3 - 100 MHz		
Insertion Loss (dB) ¹	Freq. (MHz)	Typ.	Max.
	0.3 - 5	0.18	0.4
	5 - 50	0.17	0.4
	50 - 100	0.21	0.4
Isolation (dB)	Freq. (MHz)	Typ.	Min.
	0.3 - 5	30	23
	5 - 50	45	38
	50 - 100	40	36
Phase Unbalance (Deg.)	Freq. (MHz)	Typ.	Max.
	0.3 - 5	0.1	1.0
	5 - 50	0.1	1.0
	50 - 100	0.2	1.0
Amplitude Unbalance (dB)	Freq. (MHz)	Typ.	Max.
	0.3 - 5	0.01	0.15
	5 - 50	0.01	0.15
	50 - 100	0.01	0.15
VSWR	1.18:1		
Input Power ²	1 Watt (Max.)		
Operating Temperature Range	-55 to +85 °C		

¹ Insertion loss is above the theoretical 3.0 dB splitting loss.
² Handling power applies to splitter mode and assumes ideal 50 Ohms impedance matching on all ports.



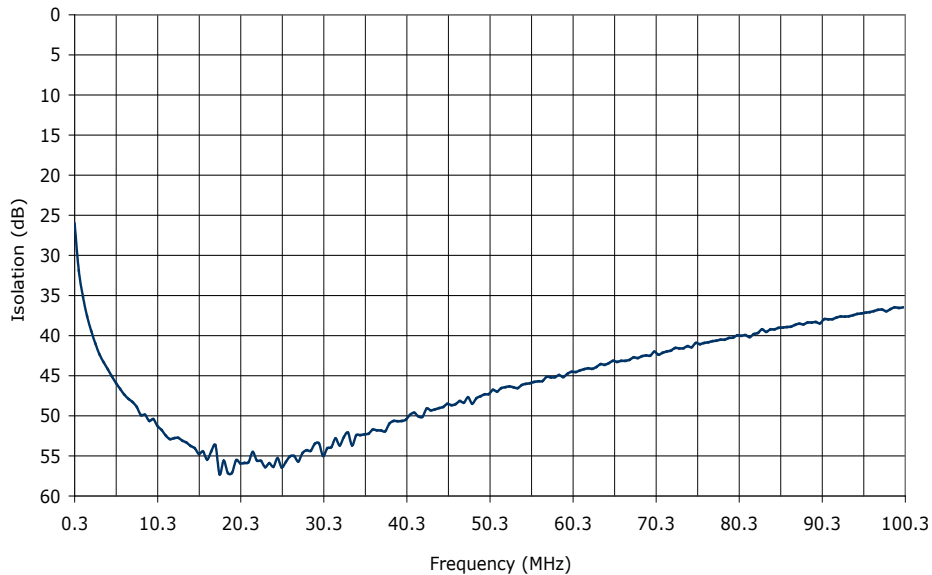
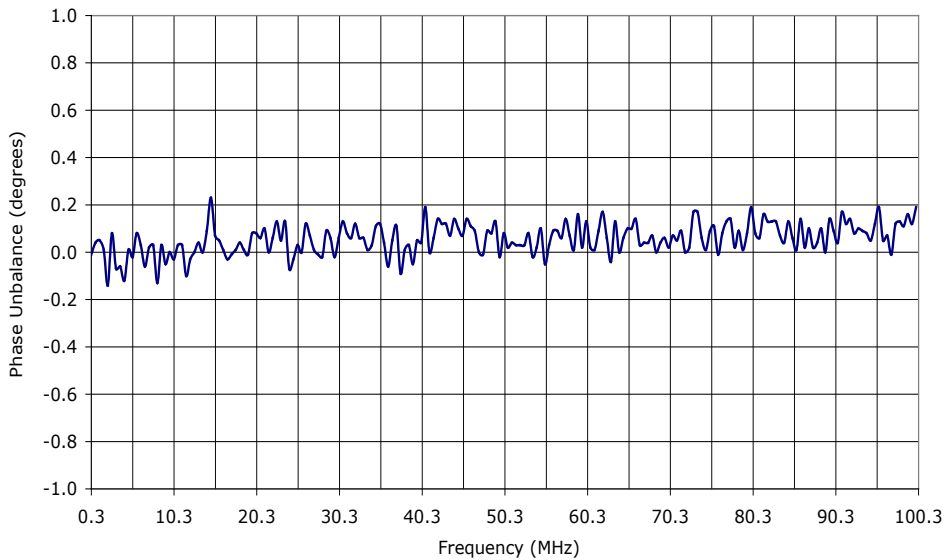
2-WAY POWER DIVIDER

CONNECTORIZED MODEL: DSK-721S

WIDE BANDWIDTH

0.3 - 100 MHz

PERFORMANCE PLOTS



2-WAY POWER DIVIDER

CONNECTORIZED MODEL: DSK-721S

WIDE BANDWIDTH

0.3 - 100 MHz

PERFORMANCE PLOTS

