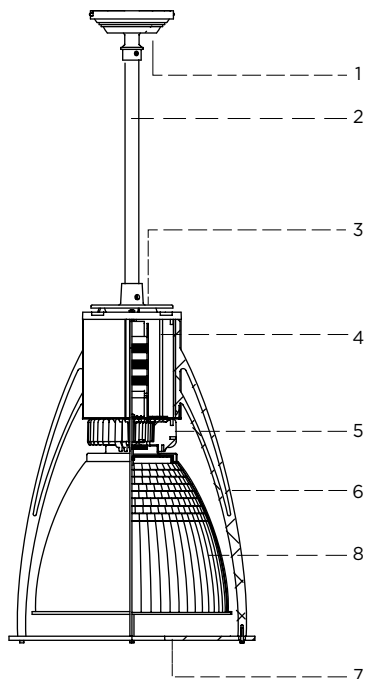


TYPE: QUANTITY: PROJECT:

CATALOG NUMBER:

 FIXTURE WATTAGE VOLTAGE FINISH OPTION OPTION OPTION OPTION



Ceiling pendant luminaire with a choice of frosted acrylic refractor or an anodized aluminum reflector with two part inner surface treatment. Upper etched surface combined with multi-faceted specular lower part. Optional attachments and accessories are available to customize and adapt each luminaire to particular design requirements.

- 1- Standard heavy duty 45° hang straight swivel, with 5" diameter (127) canopy and universal mounting plate.
- 2- 7/8" diameter (22) X 36" Lg. (914) suspension stem. Precut factory stems are available on request. (Specify STM with desired length)
- 3- Cast aluminum removable top cover for quick maintenance.
- 4- Extruded aluminum driver housing module with a fine linear stria pattern.
- 5- LED heat sink specifically designed to optimize heat dissipation.
- 6- Set of four aluminum curved arms lens holders.
- 7- Standard 1/4" (6mm) thick frosted acrylic lens with center opening for direct access to relamping
- 8- **KR1550:** Frosted acrylic refractor.
KR1555: Aluminum reflector.
Inner surface: High performance multi-faceted specular anodized.
Exterior surface: Satin anodized natural aluminum.
Alternate exterior finish (Option RP9)

KR1550



KR1555



MATERIALS

Kronos is made of an extruded aluminum ballast housing designed to optimize the functionality of the driver and solid state components. Prisma is available with a choice of two interchangeable reflectors.

- Aluminum reflector designed to optimize light source performance and uniformity.
- Frosted acrylic refractor with a linear peripheral pattern providing general upward illumination with efficient down lighting.
- Ventilated cast aluminum heat sink to optimize heat management and luminaire efficacy.
- LED array is mechanically secured and easily removable for maintenance or upgrade.

ELECTRICAL

LED

DRIVER Standard 0-10V dimming ready. 120/277V multi volt (50-60HZ) with operating temperature of -30°C/-22°F to 60°C/140°F. Output over voltage, output over current and output short circuit protection with auto-recovery.

LED Standard 4000K LED platform included. Other CCTs available from 3000K to 5000K. See electrical options. Standard 80 CRI. Optional 97 CRI for critical color rendering.

LIFE

51,000hrs L₇₇B₅₀ (based on IESNA TM-21 Test Method and LM-80 data).
68,000hrs L₇₀B₅₀ (calculated projection from LM-80 data).

FINISH

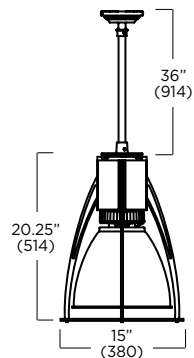
Polyester powder coating is applied through an electrostatic process and oven cured for long term finish.

MOUNTING

Maximum weight: 10.5lbs (4.8kg)
Mounts on a standard 4" (102) octagonal electrical box with 3 1/2" (89) C/C mounting holes.

CERTIFICATION

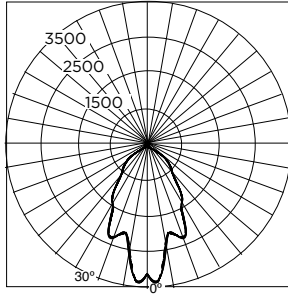
Tested to UL1598 and CSA 22.2 #250. ETL listed damp location. Photometric testing per LM79-2008, LED Light source with LM80 certified testing. CE certification on request.
Rated IP20.



KR1550/KR1555

KRONOS - LED

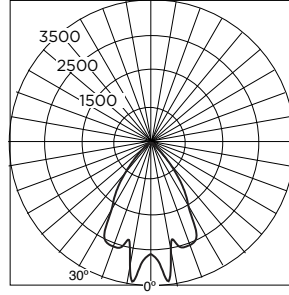
TYPICAL PHOTOMETRY SUMMARY



Descriptive Information
 Total delivered lumens
 6070 Lumens
 Input watts at 120V: 60 W
 S/MH = 1.00
 Source: LED
 CCT: 4000K

KR1550-L1W65r0
 Prismatic acrylic diffuser

Indoor report Polar graph
 Maximum Candela = 3853





Descriptive Information
 Total delivered lumens
 5378 Lumens
 Input watts at 120V: 60.5 W
 S/MH = 1.12
 Source: LED
 CCT: 4000K

KR1555-L1W65r0
 Aluminum reflector

Indoor report Polar graph
 Maximum Candela = 4745

Please visit our web site www.luminis.com for complete I.E.S. formatted download data.

LUMINAIRE SELECTION

MODEL#	LED LIGHT SELECTION	VOLTAGE ¹	FINISH																						
 <input type="checkbox"/> KR1550	<table border="1"> <thead> <tr> <th>SUFFIX</th> <th>INPUT WATTS</th> <th>DELIVERED LUMENS</th> <th>CRI</th> <th>CCT °K</th> </tr> </thead> <tbody> <tr> <td><input type="checkbox"/> L1W12r1</td> <td>13W</td> <td>1325</td> <td rowspan="5">80</td> <td rowspan="5">4000K</td> </tr> <tr> <td><input type="checkbox"/> L1W18r1</td> <td>20W</td> <td>1971</td> </tr> <tr> <td><input type="checkbox"/> L1W30r1</td> <td>33W</td> <td>3123</td> </tr> <tr> <td><input type="checkbox"/> L1W48r0</td> <td>46W</td> <td>4760</td> </tr> <tr> <td><input type="checkbox"/> L1W65r0</td> <td>60W</td> <td>6070</td> </tr> </tbody> </table>	SUFFIX	INPUT WATTS	DELIVERED LUMENS	CRI	CCT °K	<input type="checkbox"/> L1W12r1	13W	1325	80	4000K	<input type="checkbox"/> L1W18r1	20W	1971	<input type="checkbox"/> L1W30r1	33W	3123	<input type="checkbox"/> L1W48r0	46W	4760	<input type="checkbox"/> L1W65r0	60W	6070	<input type="checkbox"/> 120V <input type="checkbox"/> 277V Optional <input type="checkbox"/> 347V	STANDARD COLORS <input type="checkbox"/> WHT Snow white <input type="checkbox"/> BKT Jet black <input type="checkbox"/> BZT Bronze <input type="checkbox"/> MST Matte silver <input type="checkbox"/> GRT Titanium gray <input type="checkbox"/> DGT Gun metal <input type="checkbox"/> CHT Champagne OPTIONAL COLORS <input type="checkbox"/> CS Custom color <input type="checkbox"/> RAL RAL# color (Refer to color chart)
	SUFFIX	INPUT WATTS	DELIVERED LUMENS	CRI	CCT °K																				
<input type="checkbox"/> L1W12r1	13W	1325	80	4000K																					
<input type="checkbox"/> L1W18r1	20W	1971																							
<input type="checkbox"/> L1W30r1	33W	3123																							
<input type="checkbox"/> L1W48r0	46W	4760																							
<input type="checkbox"/> L1W65r0	60W	6070																							
<table border="1"> <thead> <tr> <th>SUFFIX</th> <th>INPUT WATTS</th> <th>DELIVERED LUMENS</th> <th>CRI</th> <th>CCT °K</th> </tr> </thead> <tbody> <tr> <td><input type="checkbox"/> L1W12r1</td> <td>13W</td> <td>1174</td> <td rowspan="5">80</td> <td rowspan="5">4000K</td> </tr> <tr> <td><input type="checkbox"/> L1W18r1</td> <td>20W</td> <td>1746</td> </tr> <tr> <td><input type="checkbox"/> L1W30r1</td> <td>33W</td> <td>2767</td> </tr> <tr> <td><input type="checkbox"/> L1W48r0</td> <td>46W</td> <td>4217</td> </tr> <tr> <td><input type="checkbox"/> L1W65r0</td> <td>60W</td> <td>5378</td> </tr> </tbody> </table>	SUFFIX	INPUT WATTS	DELIVERED LUMENS	CRI	CCT °K	<input type="checkbox"/> L1W12r1	13W	1174	80	4000K	<input type="checkbox"/> L1W18r1	20W	1746	<input type="checkbox"/> L1W30r1	33W	2767	<input type="checkbox"/> L1W48r0	46W	4217	<input type="checkbox"/> L1W65r0	60W	5378			
SUFFIX	INPUT WATTS	DELIVERED LUMENS	CRI	CCT °K																					
<input type="checkbox"/> L1W12r1	13W	1174	80	4000K																					
<input type="checkbox"/> L1W18r1	20W	1746																							
<input type="checkbox"/> L1W30r1	33W	2767																							
<input type="checkbox"/> L1W48r0	46W	4217																							
<input type="checkbox"/> L1W65r0	60W	5378																							
 <input type="checkbox"/> KR1555	<table border="1"> <thead> <tr> <th>SUFFIX</th> <th>INPUT WATTS</th> <th>DELIVERED LUMENS</th> <th>CRI</th> <th>CCT °K</th> </tr> </thead> <tbody> <tr> <td><input type="checkbox"/> L1W12r1</td> <td>13W</td> <td>1174</td> <td rowspan="5">80</td> <td rowspan="5">4000K</td> </tr> <tr> <td><input type="checkbox"/> L1W18r1</td> <td>20W</td> <td>1746</td> </tr> <tr> <td><input type="checkbox"/> L1W30r1</td> <td>33W</td> <td>2767</td> </tr> <tr> <td><input type="checkbox"/> L1W48r0</td> <td>46W</td> <td>4217</td> </tr> <tr> <td><input type="checkbox"/> L1W65r0</td> <td>60W</td> <td>5378</td> </tr> </tbody> </table>	SUFFIX	INPUT WATTS	DELIVERED LUMENS	CRI	CCT °K	<input type="checkbox"/> L1W12r1	13W	1174	80	4000K	<input type="checkbox"/> L1W18r1	20W	1746	<input type="checkbox"/> L1W30r1	33W	2767	<input type="checkbox"/> L1W48r0	46W	4217	<input type="checkbox"/> L1W65r0	60W	5378	<input type="checkbox"/> 120V <input type="checkbox"/> 277V Optional <input type="checkbox"/> 347V	STANDARD COLORS <input type="checkbox"/> WHT Snow white <input type="checkbox"/> BKT Jet black <input type="checkbox"/> BZT Bronze <input type="checkbox"/> MST Matte silver <input type="checkbox"/> GRT Titanium gray <input type="checkbox"/> DGT Gun metal <input type="checkbox"/> CHT Champagne OPTIONAL COLORS <input type="checkbox"/> CS Custom color <input type="checkbox"/> RAL RAL# color (Refer to color chart)
	SUFFIX	INPUT WATTS	DELIVERED LUMENS	CRI	CCT °K																				
<input type="checkbox"/> L1W12r1	13W	1174	80	4000K																					
<input type="checkbox"/> L1W18r1	20W	1746																							
<input type="checkbox"/> L1W30r1	33W	2767																							
<input type="checkbox"/> L1W48r0	46W	4217																							
<input type="checkbox"/> L1W65r0	60W	5378																							
<table border="1"> <thead> <tr> <th>SUFFIX</th> <th>INPUT WATTS</th> <th>DELIVERED LUMENS</th> <th>CRI</th> <th>CCT °K</th> </tr> </thead> <tbody> <tr> <td><input type="checkbox"/> L1W12r1</td> <td>13W</td> <td>1174</td> <td rowspan="5">80</td> <td rowspan="5">4000K</td> </tr> <tr> <td><input type="checkbox"/> L1W18r1</td> <td>20W</td> <td>1746</td> </tr> <tr> <td><input type="checkbox"/> L1W30r1</td> <td>33W</td> <td>2767</td> </tr> <tr> <td><input type="checkbox"/> L1W48r0</td> <td>46W</td> <td>4217</td> </tr> <tr> <td><input type="checkbox"/> L1W65r0</td> <td>60W</td> <td>5378</td> </tr> </tbody> </table>	SUFFIX	INPUT WATTS	DELIVERED LUMENS	CRI	CCT °K	<input type="checkbox"/> L1W12r1	13W	1174	80	4000K	<input type="checkbox"/> L1W18r1	20W	1746	<input type="checkbox"/> L1W30r1	33W	2767	<input type="checkbox"/> L1W48r0	46W	4217	<input type="checkbox"/> L1W65r0	60W	5378			
SUFFIX	INPUT WATTS	DELIVERED LUMENS	CRI	CCT °K																					
<input type="checkbox"/> L1W12r1	13W	1174	80	4000K																					
<input type="checkbox"/> L1W18r1	20W	1746																							
<input type="checkbox"/> L1W30r1	33W	2767																							
<input type="checkbox"/> L1W48r0	46W	4217																							
<input type="checkbox"/> L1W65r0	60W	5378																							

OPTIONS (refer to page 3 for details)

ELECTRICAL

- 347L** 347V (Please consult factory)
- FS** Fuse

CCT Options - 4000K supplied as standard (Apply multiplier to listed values for lumens output reference)

- K3** 3000K CCT LED. CRI 80 (Multiplier 0.94)
- K3D** 3000K CCT LED. CRI 97 (Multiplier 0.63) Up to 33W only
- K35** 3500K CCT LED. CRI 80 (Multiplier 0.98)
- K5** 5000K CCT LED. CRI 80 (Multiplier 1.01)

NOTE: Other CCT & higher CRI available, please consult factory.

MOUNTING

- STC** Safety cable
- STM** Longer hang straight stem. Please add length with option suffix.
- SPG** Silver braided power cord with adjustable suspension cable. 36" in length (other lengths on request.)

EMERGENCY

For wattage selection L1W12 through L1W48

- REML2-50** Remote mount battery backup for LED, 90 min., 7W Remote mount to 50ft - 12" Square enclosure with access cover.
- EMLC2** Integral battery backup for LED, 90 min., 7W Integral to luminaire within oversized ceiling canopy.
- EMLC3** Integral battery backup for LED, 90 min., 7W Integral to luminaire within a 3.5" dia. tube mounted vertically below canopy.

For wattage selection L1W48 through L1W140

- REML-50** Remote battery backup for LED, 90 min., 23W Remote mount to 50ft - 12" Square enclosure with access cover.
- EMLC** Integral battery backup for LED, 90 min., 23W Integral to luminaire within oversized ceiling canopy.

ACCESSORIES

- L18F** Frosted flat bottom lens (no center opening)
- LBL** Blue luminous edging lens
- RP9** Inner reflector specular aluminum. Exterior same color as luminaire (KR1555 only).
- DAMP** Damp location enclosure


LUMINIS®

KR1550/KR1555


KRONOS - LED

OPTIONS

MOUNTING



STM
Factory cut to size stems up to 144" lg. (Specify length with STM option suffix. Longer stems are available with coupling. Please consult factory.)
36" lg. Standard stems can be shortened on site.



SPG
4/18 X 36" lg. Silver braided power cable C/W on site adjustable suspension cable.
Longer suspension available on request.

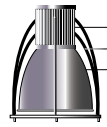
ACCESSORIES



L18F
Frosted Acrylic flat bottom lens (No center opening)

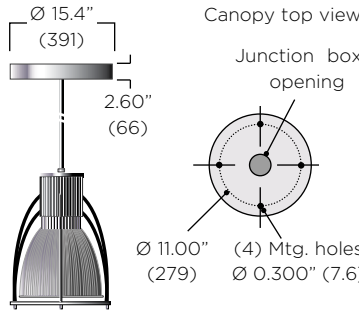


LBL
Clear Acrylic luminous blue edging lens with center opening



KR1555 Only
RP9
Inner reflector specular aluminum
Exterior same color as luminaire

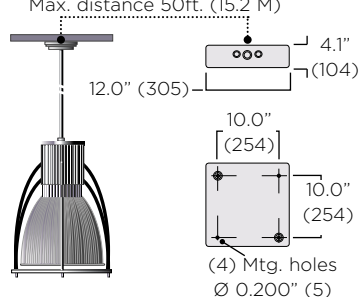
ELECTRICAL



Canopy top view
Junction box opening
Ø 15.4" (391)
2.60" (66)
Ø 11.00" (279) (4) Mtg. holes
Ø 0.300" (7.6)

EMLC2
7W Canopy mount integral 120/277V Emergency battery pack. Applicable to luminaire wattage suffix from L1W12 Thru L1W48

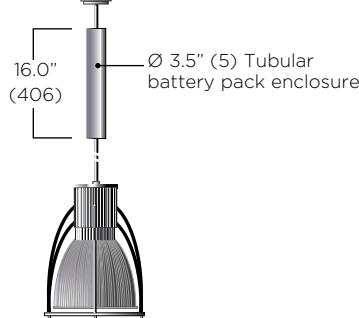
EMLC
23W Canopy mount integral 120/277V Emergency battery pack. Applicable to luminaire wattage suffix from L1W48 Thru L1W140



Max. distance 50ft. (15.2 M)
4.1" (104)
12.0" (305)
10.0" (254)
10.0" (254)
(4) Mtg. holes
Ø 0.200" (5)

REML2-50
7W Remote mount 120/277V Emergency battery pack. Applicable to luminaire wattage suffix from L1W12 Thru L1W48

REML-50
23W Remote mount 120/277V Emergency battery pack. Applicable to luminaire wattage suffix from L1W48 Thru L1W140



16.0" (406)
Ø 3.5" (5) Tubular battery pack enclosure

EMLC3
7W Suspension mount 120/277V Emergency battery pack. Applicable to luminaire wattage suffix from L1W12 Thru L1W48

