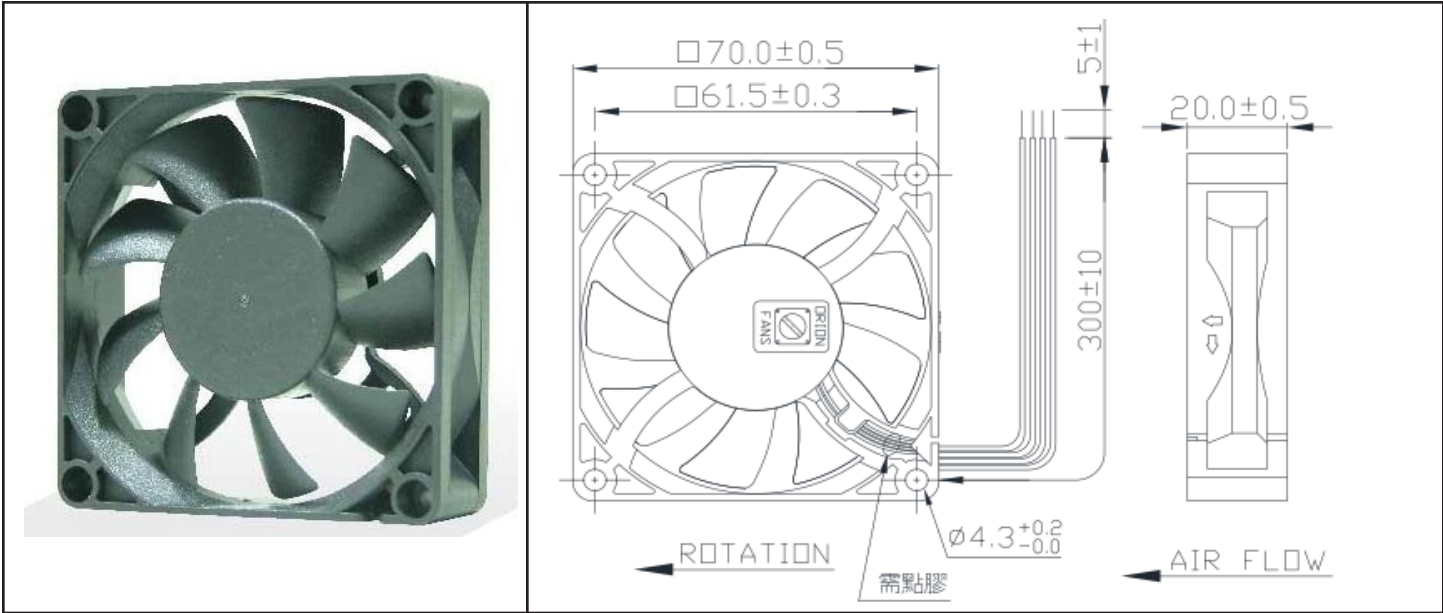


OD7020-12HHB10A



DC Fan, 12VDC
70x20mm (2.76x.79in)



Frame & Impeller	PBT, UL94V-0 plastic	Available Options ThermalControl IP55 Other speeds and voltages *Connection: Wire Leads - UL1061, 26AWG Red(+), Black (-), White (tach), Blue (PWM) Weight: 62 g	
Connection	4x Lead wires *		
Motor	Brushless DC, auto restart, polarity protected.		
Bearing System	Dual ball bearing		
Insulation Resistance	Min. 10M at 500VDC		
Dielectric Strength	1 second at 500VAC max leakage 500 microamp		
Temperature Range	-10C ~ +70C		
Storage Temperature	-40C ~ +80C		
Life (L10)	70,000 hours (40C)		

Model Number	OD7020-12HHB10A	<p>• OUTPUT OF LOCKED SIGNAL OPEN COLLECTOR TYPE</p> <p>(External signal function design is decided by customer)</p> <p>*TRANSISTOR Q1 AT "ON" POSITION COLLECTOR CURRENT..... $I_c = 10\text{mA MAX}$ SATURATION VOLTAGE..... $V_{ce} = 1\text{ V MAX}$ *TRANSISTOR Q1 AT "OFF" POSITION RELEASE VOLTAGE..... $V_{ce} = 15\text{ V MAX}$ *DIGITAL PWM SPEED CONTROL POSITION PWM INPUT VOLTAGE HIGH..... $V_{in} = 3\text{V} \sim 5.5\text{ V}$ PWM INPUT VOLTAGE LOW..... $V_{in} = 0\text{V} \sim 0.5\text{V}$ *PWM INPUT FREQUENCY..... $f_{PWM} = 18\text{KHZ} \sim 30\text{KHZ}$</p>
Part Number	113151261	
Nominal Voltage	12 VDC	
Voltage Range	8~13.2 VDC	
Nominal Current	.50 A	
Rated Power	6 Watts	
Rated Speed (RPM)	5000	
Airflow (CFM)	45	
Noise Level (dB)	43	
Max. Static Pressure	.31 "H ₂ O	