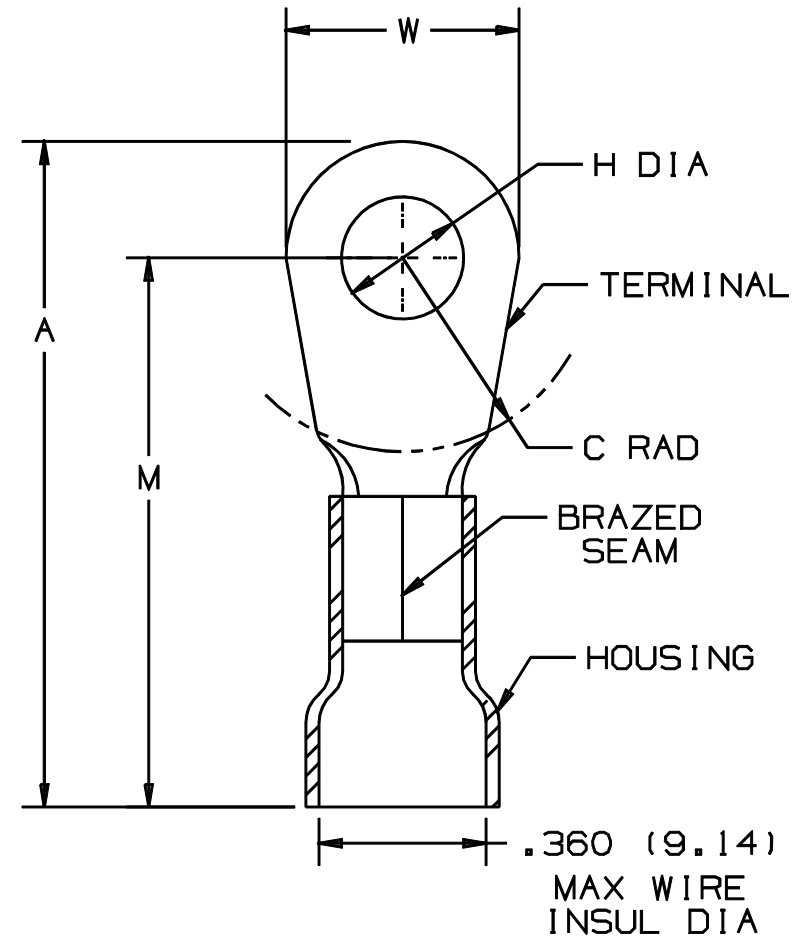


THIS COPY IS PROVIDED ON A RESTRICTED BASIS AND IS NOT TO BE USED IN ANY WAY DETRIMENTAL TO THE INTERESTS OF PANDUIT CORP.

PANDUIT PART NUMBER	STUD SIZE	DIMENSIONS in.				
		A $\pm .020$	W $\pm .010$	C $\pm .015$	M $\pm .020$	H $\pm .010$
PV8-8RX	#8	1.50 (38.1)	.42 (10.67)	.43 (10.92)	1.29 (32.77)	.17 (4.32)
PV8-10RX	#10	1.52 (38.61)	.47 (11.94)	.43 (10.92)	1.29 (32.77)	.20 (5.08)
PV8-14RX	1/4"	1.52 (38.61)	.47 (11.94)	.43 (10.92)	1.29 (32.77)	.27 (6.86)
PV8-56RX	5/16"	1.62 (41.15)	.59 (14.99)	.51 (12.95)	1.33 (33.78)	.33 (8.38)
PV8-38RX	3/8"	1.62 (41.15)	.59 (14.99)	.51 (12.95)	1.33 (33.78)	.39 (9.91)
PV8-12RX	1/2"	1.74 (44.2)	.82 (20.83)	.51 (12.95)	1.33 (33.78)	.52 (13.21)



NOTES:

- UL LISTED FOR:
 - 600V MAX VOLTAGE RATING
 - 221° F (105° C) MAX TEMP RATING
 - #8 AWG STRANDED COPPER WIRE
- PACKAGE QTY: STD. PKG. - Q = 25
BULK PKG. - T = 200
- MATERIAL:
 - STAMPING - .040" (1.02) THK COPPER, TIN PLATED
 - HOUSING - VINYL, RED
- DIMENSIONS IN BRACKETS ARE IN MILLIMETERS
- INSTALLATION TOOL: CT-720
- WIRE STRIP LENGTH: 3/8" \pm 1/32 (9.5 \pm .8)



A41223_03

						PANDUIT CORP.		TINLEY PARK, ILLINOIS			
03	12/95	ED	WJB	REVISIONS TO NOTES AND TABLE	03859	LA	KJS	#8 BARREL VINYL INSULATED RING TONGUE .360 (9.14) MAX. WIRE INSUL. DIAMETER			
02	7-88	DW		REDRAWN WITH REVISIONS							
REV	DATE	BY	CHK	DESCRIPTION	ECN #	CUST	PM	DRAWN BY DAW	CHK'D WJB	SCALE NONE	DRAWING NO. A41223