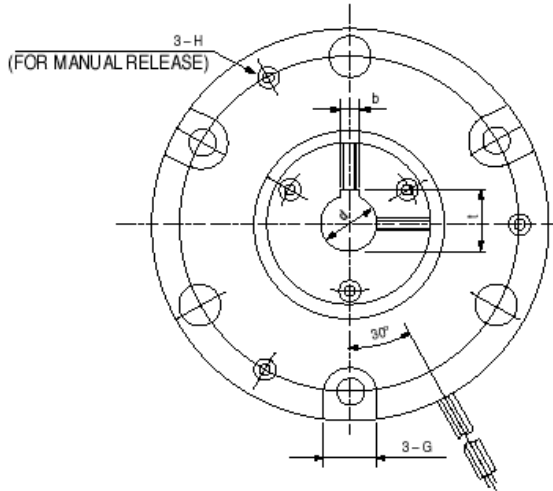
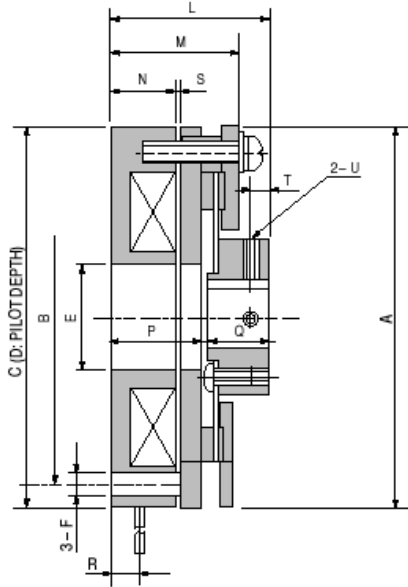


RNB-Z

EM Spring-Applied Brake

Types: 0.2, 0.4, 0.8, 1.6

[EM: Electromagnet]



RNB ¹		0.2ZG	0.2ZK	0.4ZG	0.4ZK	0.8ZG	0.8ZK	1.6ZG	1.6ZK
Static Torque [ft-lbs / N-m]		1.5 / 2		3 / 4		5.9 / 8		12 / 16	
Coil (20°C)	Voltage [DC-V]	24	90	24	90	24	90	24	90
	Current [A]	0.41	0.11	0.54	0.14	0.63	0.17	0.76	0.2
	Resistance [Ω]	59	815	45	630	38	540	32	445
	Wattage [W]	10		13		15		18	
Armature	Pull-In Time [ms]	35		45		55		70	
	Release Time [ms]	12		12		15		25	
Max Allowable Speed [rpm]		5000		4000		4000		3500	
Moment of Inertia (J) [kg-cm ²]		0.16		0.23		0.45		0.7	
Bore [mm]		dH7		12		14		15	
Key Way [mm]		bE9		4		5		5	
		t+0.15/-0		13.5		16		17	
Dimensions [mm]	A	77	85	97	117				
	B	68	74	85	108				
	Ch9	77	85	97	117				
	D	3	4	4	4				
	E	20	20	25	40				
	F	4.5	5.5	5.5	5.5				
	G	10	11	11	11				
	H	-	-	M4	M5				
	L	33	39	38.3	45.3				
	M	26	28	30	31.5				
	N	15	16	17	19.5				
	P	21	22	23.3	25.3				
	Q	12	17	15	20				
	R	7	7.5	8.5	8.5				
S	0.15~0.25		0.2~0.3		0.2~0.35		0.2~0.35		
T	4		4.5		4.5		5		
U	2xM4		2xM4		2xM5		2xM5		
Weight [lbs / kg]		1.3 / 0.6		1.9 / 0.9		2.6 / 1.2		4.2 / 1.9	

[Note 1 : For holding and emergency-stop applications only]

[1 inch = 25.4 mm]