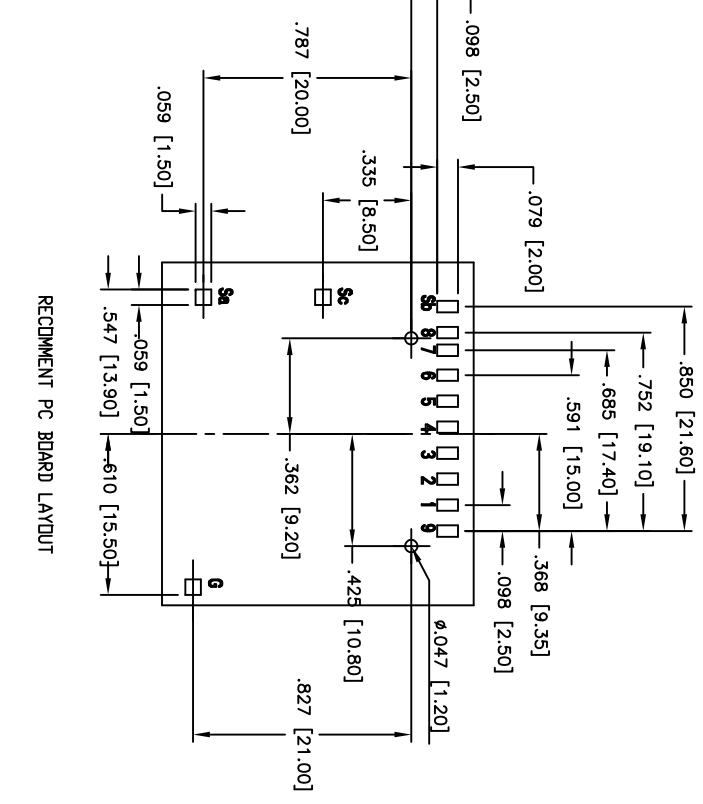
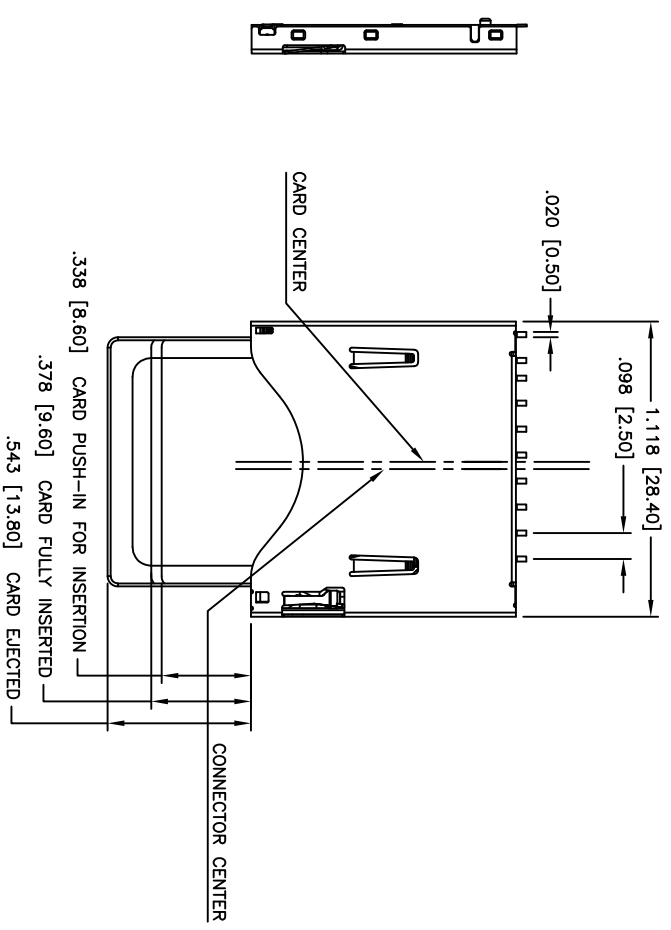


| Rev | AWO # | Description | Date | Appr |
|-----|-------|-------------|---------|------|
| - | | RELEASED | 4/29/08 | |

APPROVED: _____
 DATE: _____ TITLE: _____

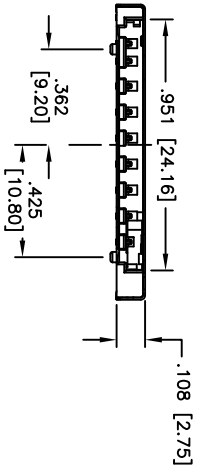


RECOMMEND PC BOARD LAYOUT

| Card detection switch | | Write protection switch | | | |
|-----------------------|-----------------------|-------------------------|-----------------------|---------------|--------------|
| When card is ejected | When card is inserted | When card is ejected | When card is inserted | Write protect | Write enable |
| DPEN | CLOSE | DPEN | DPEN | DPEN | CLOSE |
| Sb | Sc | Sa | Sc | Sa | Sc |

PACKAGED ON TAPE & REEL

SPECIFICATIONS:
 Material: Insulator: PA9T, rated UL 94V-0
 Insulator color: Black
 Contacts: Phosphor Bronze
 Shell: Stainless Steel
Plating:
 Gold over Nickel underplate on contact area,
 Tin over Copper underplate on SMT tails
Electrical:
 Operating voltage: 3.3 VAC max
 Current rating: 0.5 Amps max
 Contact resistance: 40 mohms max.
 Insulation resistance: 1000 Mohms min
 Dielectric withstanding voltage: 250 VAC for 1 minute
Mechanical:
 Mating Cycles: 10,000 min.
Temperature Rating:
 Operating temperature: -20°C to +60°C
 Environmental:
 Lead free, RoHS compliant.
 Recommended soldering temp: 260°C for 5 sec.



| | | | | | |
|---|--------|-----------------|--------|--------------|--|
| UNLESS OTHERWISE SPECIFIED ALL DIMENSIONS ARE INCHES [MM] TOLERANCES: EXCEPT AS NOTED | | INCHES | | HOLES | |
| .X | ± .10 | Ø.X | ± .10 | | |
| .XX | ± .020 | Ø.XXX | ± .015 | | |
| .XXX | ± .015 | Ø.XXXX | ± .010 | | |
| APPROVALS | | DATE | | | |
| DRAWN | DY | 4/29/08 | | | |
| CHECKED | | | | | |
| APPROVED | | | | | |
| TITLE | | PART NO. | | REV. | |
| SECURE DIGITAL SOCKET, PUSH-IN/ PUSH-OUT, SMT, NO STANDOFF | | SDP-09-SG-A1-TR | | 1 | |
| 909 Rahway Avenue, Union, NJ 07083 Phone: 908-687-5000 Fax: 908-687-5710 | | SCALE: NTS | | SHEET 1 OF 1 | |

ADAM TECH

A

B

C

D

