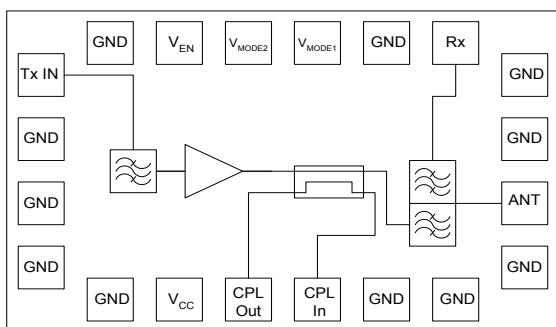


Tritium II PA-Duplexer Module™ CDMA Cellular Band

Functional Block Diagram



Product Description

The TQM613029 is a fully matched CDMA cellular band PA-Duplexer module for use in mobile phones as part of TriQuint's Tritium II product family. The module is designed with a focus on size, current consumption and phone layout simplicity. Within a compact area of only 28mm², the module integrates a single-ended transmit filter, duplexer, high efficiency PA die, RF power coupler, matching and built in voltage regulator functionality eliminating the need for external switch circuitry. With an RF power output up to 25dBm the TQM613029 meets the strict ACPR/ALTR requirements of multi-band, feature-rich CDMA2000 handset designs.

The module will provide the lowest overall current consumption available in the market based on the current sub-urban CDG (CDMA Development Group) curve by providing a 3 Gain state amplifier. In Low-Power mode operation a quiescent current of only 5mA will allow the module to achieve an overall average current of less than 50mA. The pin layout is optimized for use with new CDMA discrete and packaged transceiver solutions although its operation is backwards compatible with existing chipsets.

Electrical Specifications

Test Conditions V_{CC}=3.4V, V_{EN}=High, T=25°C

| Parameter | Typ | Units |
|---|-----------|--------|
| Frequency | 824 - 848 | MHz |
| Max P _{OUT} | 26 | dBm |
| ACPR (±885kHz offset) at Max P _{OUT} | -50 | dBc |
| ALTR (±1.98MHz offset) at Max P _{OUT} | -60 | dBc |
| Current Consumption (at +25dBm P _{out}) | 380 | mA |
| Quiescent Current in LPM | 5 | mA |
| Leakage at Rx Port | -30 | dBm |
| Rx Noise | -183 | dBm/Hz |

Absolute Maximum Ratings

Data Sheet

For additional information and latest specifications, see our website: www.triquint.com
Revision H, August 5, 2009

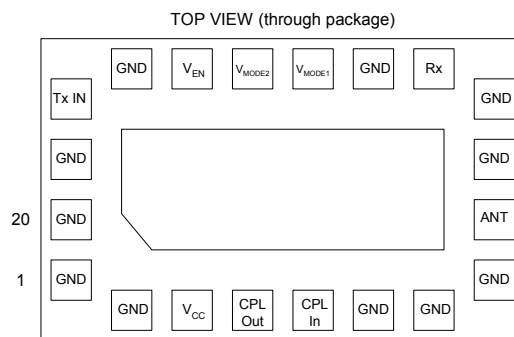
Features

- Compact 7.0x4.0x1.1mm module replacing more than 12 discrete components
- Integrated duplexer, single-ended Tx filter, PA die, RF power coupler and matching
- Built-in voltage regulator functionality eliminating any external switch circuitry
- High efficiency three gain state PA for lowest overall current consumption
- Typical quiescent current values:
 Low Power Mode (LPM) = 5mA
 Medium Power Mode (MPM) = 20mA
 High Power Mode (HPM) = 80mA
- Low Current Consumption
 Typical: 380 mA @ +25dBm
 Typical: 23 mA @ +8dBm
- Excellent ACPR
 Typical: -50 dBc @ +/- 885kHz offset
- Excellent ALTR
 Typical: -60 dBc @ +/- 1.98 MHz offset
- Lead-free 260°C RoHS Compliant
- Halogen Free (HF)

Applications

- IS-95/98/CDMA2000
- EVDO Rev A Compliant

Package Style



Tritium II PA-Duplexer Module™ CDMA Cellular Band

| Symbol | Parameter | Absolute Maximum Value | Units |
|---|--|------------------------|-------|
| V _{CC} | Supply Voltage with no RF applied | +6.0 | V |
| | Supply Voltage with RF applied | +4.7 | V |
| V _{MODE1} , V _{MODE2} | Mode Control Voltages | +2.7 | V |
| P _{IN} | Input RF Power at Tx Port | +10 | dBm |
| | Input RF Power at Antenna Port | +30 | dBm |
| | Input RF Power at Rx Port | +10 | dBm |
| T _C | Case Temperature, Survival | -35 to +85 | °C |
| T _{STG} | Storage Temperature | -55 to +125 | °C |
| ESD | Human Body Model (JESD22-A114) at ANT, T _{XIN} , and Rx | ±300 | V |
| | Human Body Model (JESD22-A114) at all other ports | >±2000 | V |
| | Machine Model (JESD22-A115) at ANT, T _{XIN} , and Rx | ±110 | V |
| | Machine Model (JESD22-A115) at all other ports | ±170 | V |

Note: Stresses above those listed under absolute maximum ratings may cause permanent and functional damage to the device. Exposure exceeding absolute maximum rating conditions for extended periods may affect device reliability. The part may not survive all maximums applied simultaneously.

DC Electrical Characteristics

| Parameter | Conditions | Min. | Typ/Nom | Max. | Units |
|---|---|------|---------|------|-------|
| Supply Voltage (V _{CC}) | No RF | 3.2 | 3.8 | 6.0 | V |
| | HPM, MPM, LPM with RF | 3.2 | 3.8 | 4.2 | V |
| | Ruggedness Testing | | | 4.7 | V |
| PA Enable Digital Control Voltage (V _{EN}) | Low – PA off | 0.0 | | 0.5 | V |
| | High – PA Enabled | 1.8 | | 2.7 | V |
| PA Bias Mode Control Voltages (V _{MODE1} , V _{MODE2}) | V _{MODE1} / V _{MODE2} = Low | 0.0 | | 0.5 | V |
| | V _{MODE1} / V _{MODE2} = High | 1.8 | | 2.7 | V |
| Control Line Current (I _{CONTROL}) | All control lines (source or sink current) | | | 1 | mA |
| Leakage Current (I _{LEAK}) | Total current on all pins; T=-20to+85°C, V _{CC} =4.7V, V _{EN} =0V | | 5 | 15 | µA |
| Turn on/off time ¹ (T _{ON-DC} , T _{OFF-DC}) | | | | 20 | µs |
| Gain switching time (T _{MODE}) | High-Mid-Low | | | 6 | µs |
| Ambient Operating Temperature | | -30 | | +85 | °C |
| Case Temperature (TEMP _{CASE}) | | -35 | | +95 | °C |

*Note 1: Definition of switching time: T_{ON-DC} = The time required to obtain the idle bias condition ±10% from a zero bias condition with RF signal applied
T_{OFF-DC} = The time required for the bias current (idle current) to decrease to < 100µA*

Tritium II PA-Duplexer Module™ CDMA Cellular Band

Power Range Truth Table

| Mode of Operation | V _{EN} | V _{MODE1} | V _{MODE2} | V _{CC} |
|--|-----------------|--------------------|--------------------|-----------------|
| Power Down / PA Off | Low | X | X | ON |
| Stand-by mode N/A | N/A | N/A | N/A | N/A |
| High Power Mode – HPM (-50 dBm < P _{OUT} ≤ +26 dBm) | High | Low | High | ON |
| Medium Power Mode – MPM (-50 dBm < P _{OUT} < +14 dBm) | High | High | High | ON |
| Low Power Mode – LPM (-50 dBm < P _{OUT} < +8 dBm) | High | X | Low | ON |

Tx to Antenna Port RF Electrical Characteristics¹

| Parameter | Conditions | Min. | Typ/Nom | Max. | Units |
|----------------------------------|---|--------|---------|--------|-------|
| RF Frequency | | 824.70 | - | 848.31 | MHz |
| Maximum Output Power | HPM, V _{CC} =3.4 – 4.2V, 25°C<T<60°C | 26 | - | - | dBm |
| | MPM, V _{CC} =3.4 – 4.2V, 25°C<T<60°C | 14 | - | - | dBm |
| | LPM, V _{CC} =3.4 – 4.2V, 25°C<T<60°C | 8 | - | - | dBm |
| Maximum Input Power | HPM | 7 | - | - | dBm |
| | MPM | 9 | - | - | dBm |
| | LPM | 9 | - | - | dBm |
| Tx Gain | HPM | 22 | 26 | 31 | dB |
| | MPM | 12 | 16 | 20 | dB |
| | LPM | 5 | 9 | 13 | dB |
| Step Function Droop ² | HPM, 25°C, 25dBm, over 400ms | - | - | 0.3 | dB |
| Tx Gain in GPS Band | | - | - | -44 | dB |
| Gain Flatness vs Frequency | HPM | - | - | ±2.0 | dB |
| | MPM | - | - | ±1.5 | dB |
| | LPM | - | - | ±1.5 | dB |
| Gain Flatness vs Power | HPM | - | - | ±2.0 | dB |
| | MPM | - | - | ±1.5 | dB |
| | LPM | - | - | ±1.5 | dB |
| Tx VSWR | Tx in port | - | - | 2.5:1 | |
| Adjacent Channel Power | HPM, 3.8V, 26dBm, 25°C | - | -50 | -45 | dBc |
| | HPM, 3.8V, 25dBm, 25°C | - | -53 | -48 | dBc |
| | HPM, 3.4V, 25dBm, 70°C | - | -50 | -45 | dBc |
| | MPM, 14dBm | - | -50 | -45 | dBc |
| | LPM, 8dBm | - | -50 | -45 | dBc |
| Alternate Channel Power | HPM, 3.8V, 26dBm, 25°C | - | -59 | -57 | dBc |
| | HPM, 3.8V, 25dBm, 25°C | - | -59 | -57 | dBc |
| | HPM, 3.4V, 25dBm, 70°C | - | -59 | -57 | dBc |
| | MPM, 14dBm | - | -59 | -57 | dBc |
| | LPM, 8dBm | - | -59 | -57 | dBc |
| Power Efficiency | HPM, 3.4V, 25°C, 25dBm | - | 22 | - | % |

Data Sheet

For additional information and latest specifications, see our website: www.triquint.com
Revision H, August 5, 2009



Tritium II PA-Duplexer Module™ CDMA Cellular Band

Tx to Antenna Port RF Electrical Characteristics¹ (cont.)

| Parameter | Conditions | Min. | Typ/Nom | Max. | Units |
|---|---|--------|---------|--------|--------|
| BC0 Tx Noise in BC0 Rx Band | HPM, N _{IN} at Ant port = -135dBm/Hz | - | -182 | -179 | dBm/Hz |
| | MPM, N _{IN} at Ant port = -135 – (HP _{MAX} – MP _{MAX}) dBm/Hz | - | - | -179 | dBm/Hz |
| | LPM, N _{IN} at Ant port = -135 – (HP _{MAX} – LP _{MAX}) dBm/Hz | - | - | -179 | dBm/Hz |
| Tx Noise in GPS Band | N _{IN} at Ant port = -135 dBm/Hz | - | -172 | - | dBm/Hz |
| Harmonics | | - | - | -45 | dBc |
| Stability (all spurious) | Load VSWR = 10:1 @ all angles | - | - | -90 | dBc |
| Ruggedness | HPM, Load VSWR = 10:1 @ all angles, No Damage | | 26dBm | | |
| | MPM, Load VSWR = 10:1 @ all angles, No Damage | | 14dBm | | |
| | LPM, Load VSWR = 10:1 @ all angles, No Damage | | 8dBm | | |
| Current Draw | HPM, 3.8V, 25°C, 25dBm | - | 380 | - | mA |
| CDG Current ³ | V _{CC} = 3.8V, 25°C | - | - | 45 | mA |
| PA Switching Time: Rise / Fall ⁴ | 0dB < P _{OUT} < 5dBm | - | - | 6.0 | µs |
| Code Domain Power ⁵ | 25°C < T < 60°C | 23 | - | - | dB |
| Code Channel Reverse Plot Power Accuracy Convolution Encoding | HPM, 5.5dBm P _{OUT} , R-FCH to R-Pilot @ 9600 rate | 3.50 | - | 4.00 | |
| | HPM, 5.5dBm P _{OUT} , R-SCH to R-Pilot @ 9600 rate | 3.50 | - | 4.00 | |
| | HPM, 5.5dBm P _{OUT} , R-FCH to R-Pilot @ 19.2K rate | 3.38 | - | 3.88 | |
| | HPM, 5.5dBm P _{OUT} , R-SCH to R-Pilot @ 19.2K rate | 6.00 | - | 6.50 | |
| | HPM, 5.5dBm P _{OUT} , R-FCH to R-Pilot @ 38.4K rate | 2.13 | - | 2.63 | |
| | HPM, 5.5dBm P _{OUT} , R-SCH to R-Pilot @ 38.4K rate | 7.25 | - | 7.75 | |
| | HPM, 5.5dBm P _{OUT} , R-FCH to R-Pilot @ 76.8K rate | 0.88 | - | 1.38 | |
| | HPM, 5.5dBm P _{OUT} , R-SCH to R-Pilot @ 76.8K rate | 8.75 | - | 9.25 | |
| | HPM, 5.5dBm P _{OUT} , R-FCH to R-Pilot @ 153.6K rate | -1.00 | - | -0.50 | |
| | HPM, 5.5dBm P _{OUT} , R-SCH to R-Pilot @ 153.6K rate | 10.25 | - | 10.75 | |
| Code Channel Reverse Pilot Power Accuracy | HPM, 5.5dBm P _{OUT} , R-FCH to R-Pilot @ 19.2K rate | 3.250 | - | 3.750 | |
| | HPM, 5.5dBm P _{OUT} , R-SCH to R-Pilot @ 19.2K rate | 5.250 | - | 5.750 | |
| Turbo Encoding | HPM, 5.5dBm P _{OUT} , R-FCH to R-Pilot @ 38.4K rate | 2.250 | - | 2.750 | |
| | HPM, 5.5dBm P _{OUT} , R-SCH to R-Pilot @ 38.4K rate | 6.750 | - | 7.250 | |
| | HPM, 5.5dBm P _{OUT} , R-FCH to R-Pilot @ 76.8K rate | 1.125 | - | 1.625 | |
| | HPM, 5.5dBm P _{OUT} , R-SCH to R-Pilot @ 76.8K rate | 8.250 | - | 8.750 | |
| | HPM, 5.5dBm P _{OUT} , R-FCH to R-Pilot @ 153.6K rate | -0.625 | - | -0.125 | |
| | HPM, 5.5dBm P _{OUT} , R-SCH to R-Pilot @ 153.6K rate | 9.250 | - | 9.750 | |

Note 1: Test Conditions: V_{CC1}=3.8VDC, T_c = 25°C unless otherwise specified.

Note 2: With the module in high gain mode steps the RF signal from -80dBm a level such that PO = POUT (H). The rise time for the step in the input power to the module shall not exceed 250ns

Note 3: Total current integrated across CDMA suburban CDG curve.

Note 4: Rise: time required to go from (Pout – 30 dB) to (Pout ± 1 dB); Fall: time required to reach (Pout – 30 dB) from (Pout ± 1 dB) when input signal removed.

Note 5: To be measured at Pout = 26dBm. Refer to IS98E section 4.3.5.

Tritium II PA-Duplexer Module™ CDMA Cellular Band

Rx to Antenna Port RF Electrical Characteristics

| Parameter | Conditions | Min. | Typ/Nom | Max. | Units |
|----------------|---|------|---------|-------|-------|
| Frequency | | 869 | - | 894 | MHz |
| Insertion Loss | 869 – 894 MHz, -30°C < T < 85°C | - | 2.6 | 3.5 | dB |
| Rx VSWR | ANT and Rx ports | - | - | 2.5:1 | |
| Attenuation | BC0 Tx 824-849 MHz | 45 | - | - | dB |
| | BC1 Tx 1850-1910 MHz | 35 | - | - | dB |
| | ISM Tx 2400-2484 MHz | 35 | - | - | dB |
| | Rx 2 nd Harmonic 1738-1788MHz | 30 | - | - | dB |
| | Rx 3 rd Harmonic 2607-2682 MHz | 30 | - | - | dB |
| | Rx 4 th Harmonic 3476-3576 MHz | 20 | - | - | dB |

Tx to Rx Port RF Electrical Characteristics

| Parameter | Conditions | Min. | Typ/Nom | Max. | Units |
|------------|---------------------------------|------|---------|------|-------|
| Tx Leakage | 25.5 dBm, 3.8V, 25°C < T < 60°C | - | -32 | -27 | dBm |

Coupled Port RF Electrical Characteristics

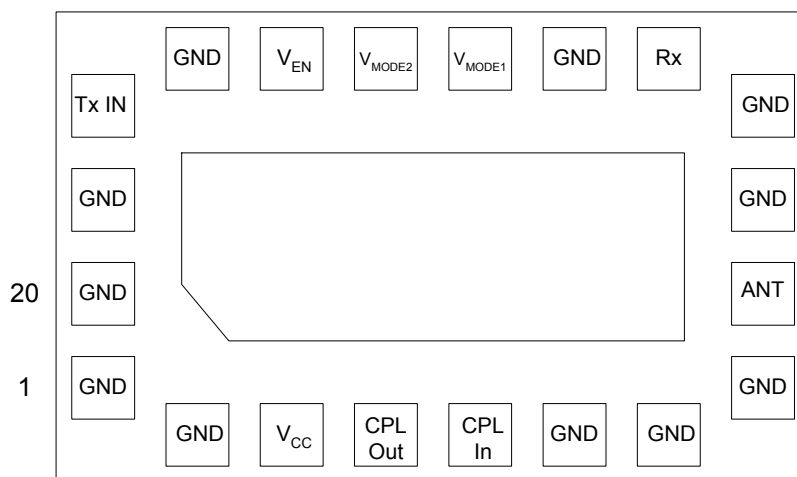
| Parameter | Conditions | Min. | Typ/Nom | Max. | Units |
|---|--|------|---------|-------|-------|
| Tx Power at Coupled Port | Over freq relative to P _{OUT} , 16dBm < P _{OUT} < 26dBm, CPL_IN = 50Ω, 25°C < T < 55°C | -24 | -21 | -19 | dBc |
| Coupler Loss | CPLin to CPLout | - | - | 2.0 | dBm |
| Output Impedance | | - | 50 | - | Ω |
| VSWR | HPM, Coupled Port | - | - | 2.0:1 | |
| Variation in Delivered Power ¹ | HPM, 3.5:1 @ all angles, 22dBm < P _{OUT} < 26dBm | -4.0 | - | 0.5 | dB |
| Temp Variation | HPM, 25dBm, 50Ω load at ANT, 3.8V, -30°C < T < 85°C | -0.5 | - | 0.5 | dB |

Note 1: Set the input power using a 50 Ohm load, then measure variation in output power for the same coupled power. The coupled power should be adjusted to remain constant.

Tritium II PA-Duplexer Module™ CDMA Cellular Band

Pin Out and Assignments

TOP VIEW (through package)

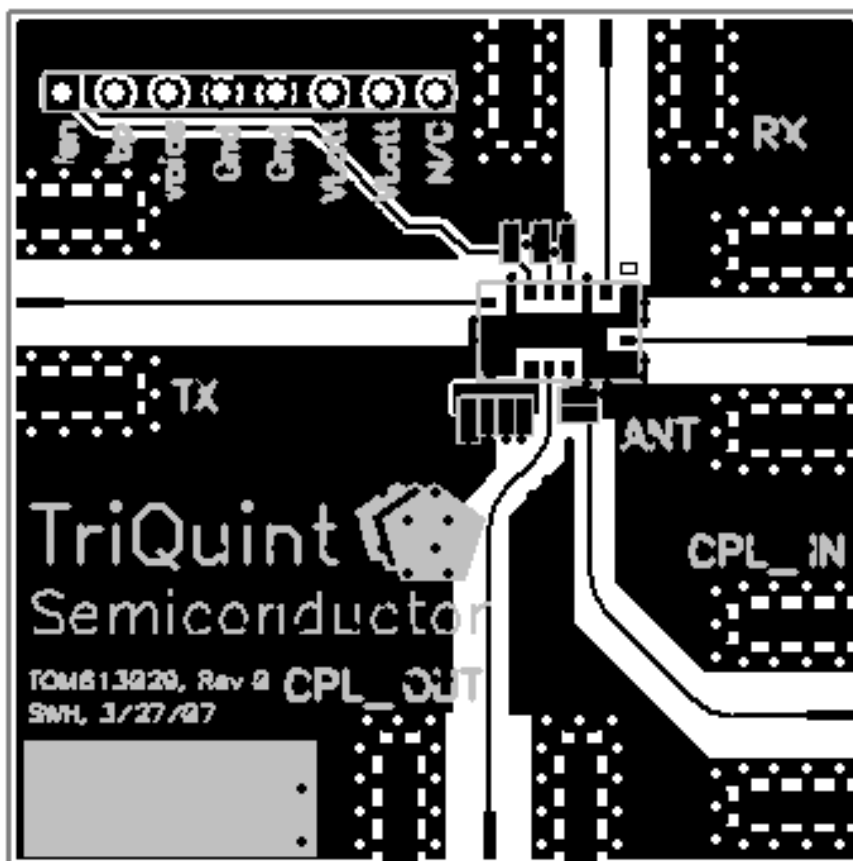


| Pin | Symbol | Description |
|-----|--------------------|---|
| 1 | GND | Ground |
| 2 | GND | Ground |
| 3 | V _{CC} | Supply Voltage |
| 4 | CPLout | Directional Coupler Out |
| 5 | CPLin | Directional Coupler In (Coupler Termination Port) |
| 6 | GND | Ground |
| 7 | GND | Ground |
| 8 | GND | Ground |
| 9 | ANT | Duplexer ANT Port |
| 10 | GND | Ground |
| 11 | GND | Ground |
| 12 | Rx | Duplexer Rx Output Port |
| 13 | GND | Ground |
| 14 | V _{MODE1} | Control for high and medium power modes |
| 15 | V _{MODE2} | Control for low power mode |
| 16 | V _{EN} | Enable Control |
| 17 | GND | Ground |
| 18 | Tx _{in} | Tx Input |
| 19 | GND | Ground |
| 20 | GND | Ground |

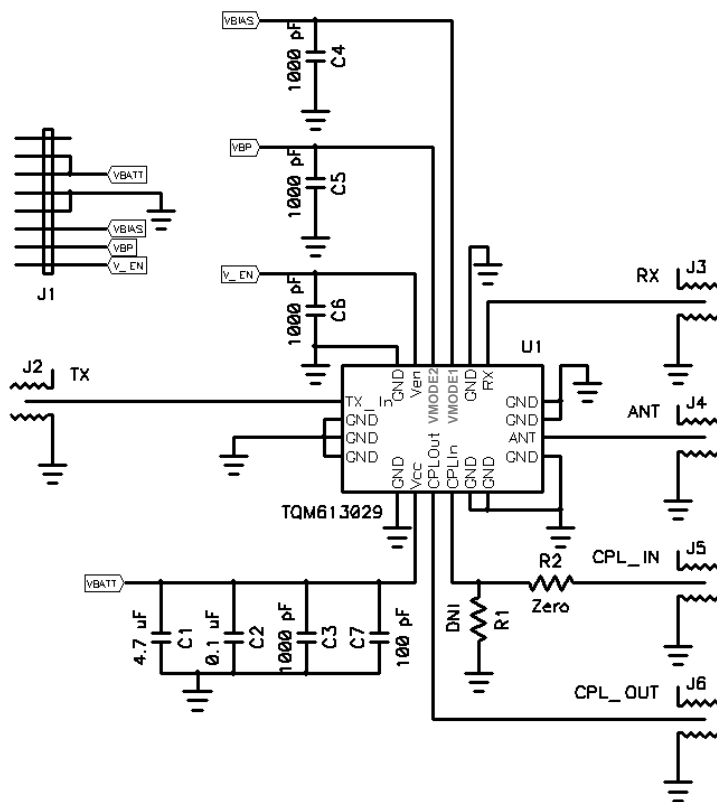
Tritium II PA-Duplexer Module™ CDMA Cellular Band

Applications information; tuning procedures; board layout precautions

TriQuint offers our customers the below evaluation board as a means for testing and analysis of the TQM613029. The evaluation board schematic and picture are provided for preliminary analysis and design. The following figures show the TriQuint application board and the schematic of the board followed by the power-up/power-down sequence instructions



Tritium II PA-Duplexer Module™ CDMA Cellular Band

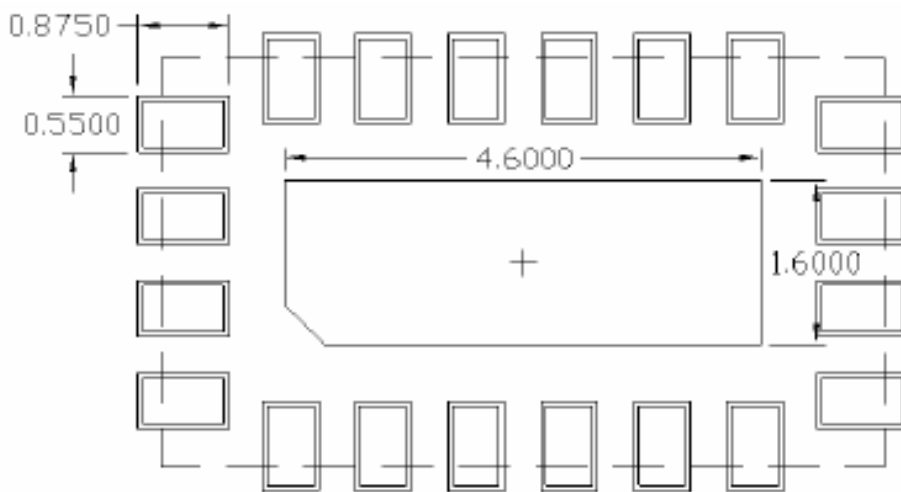
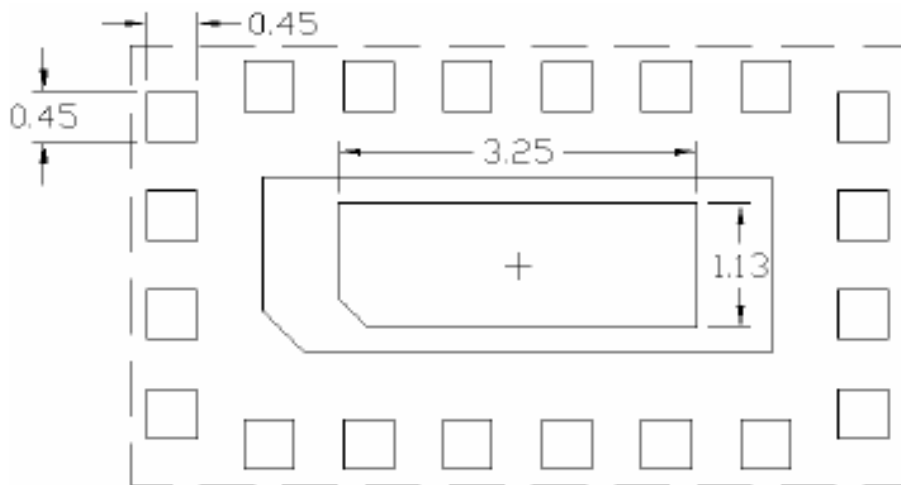


Applications Information: Power Up/Down Sequences

| Power-Up Sequence | | | Power-Down Sequence | | |
|-------------------|--------------------|-----------------------|---------------------|--------------------|-----------------------------|
| Sequence | PIN | Description | Sequence | PIN | Description |
| 1 | V _{CC} | Apply Battery Voltage | 1 | RF | Remove RF |
| 2 | V _{MODE1} | Set PA Mode 1 bit | 2 | V _{EN} | Disable PA |
| 3 | V _{MODE2} | Set PA Mode 2 bit | 3 | V _{MODE1} | Set V _{MODE1} = 0V |
| 4 | V _{EN} | Enable PA | 4 | V _{MODE2} | Set V _{MODE2} = 0V |
| 5 | RF | Apply RF | 5 | V _{CC} | Remove Battery Voltage |

Tritium II PA-Duplexer Module™ CDMA Cellular Band

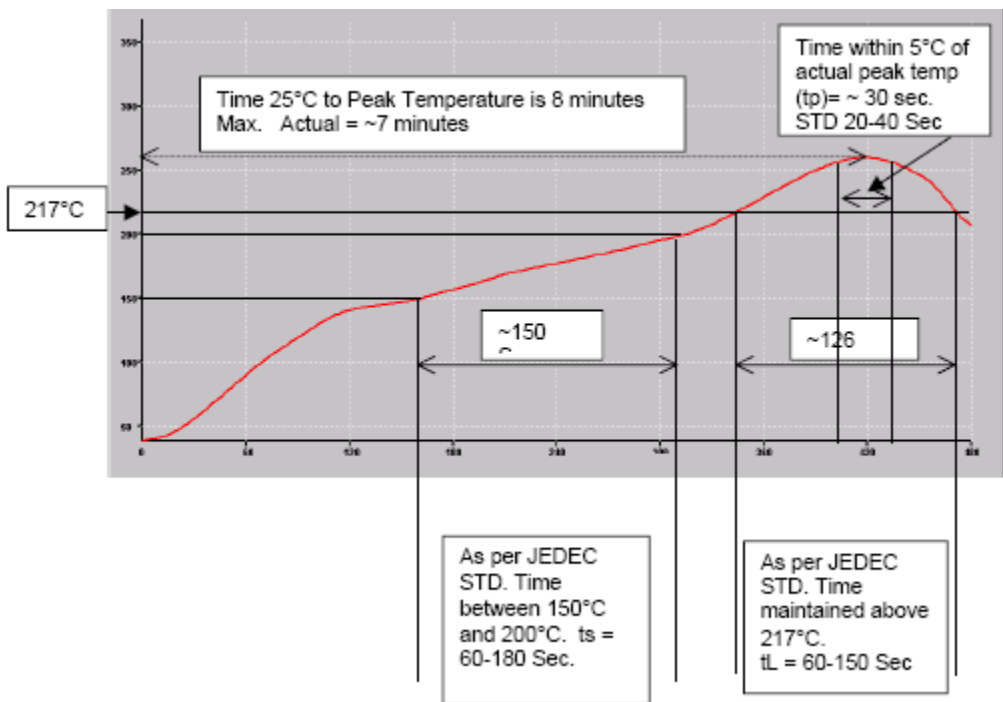
PC Board Layout recommendations



Tritium II PA-Duplexer Module™ CDMA Cellular Band

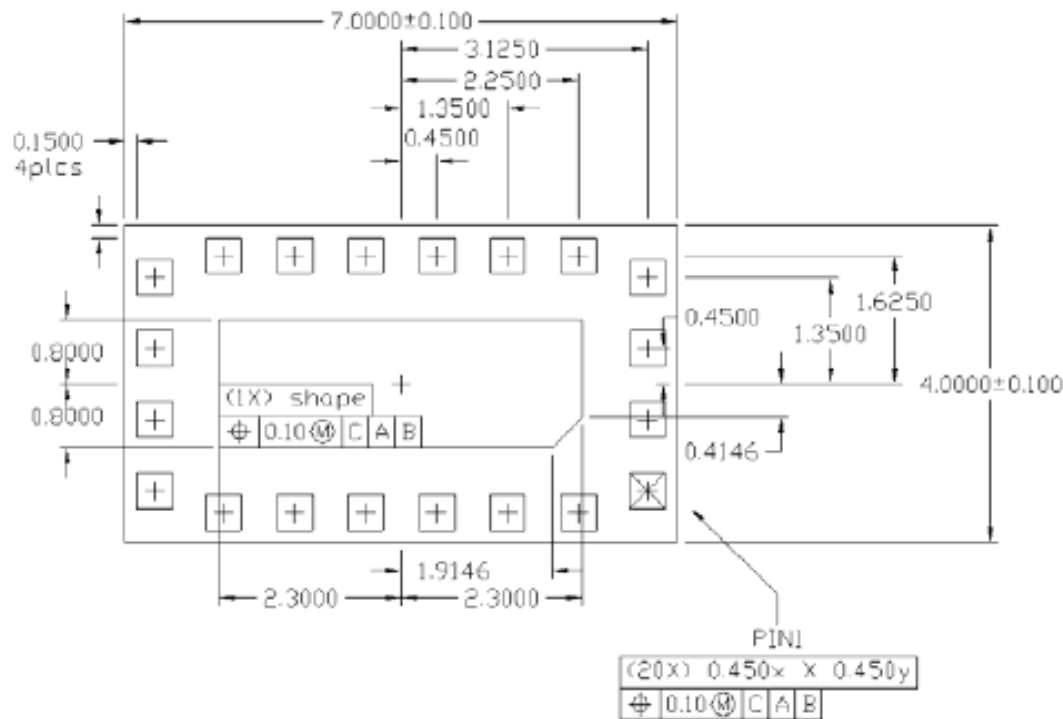
Recommended Reflow Profile

The TQM613029 is rated for 260°C reflow profile. Below is a general recommendation for 260°C reflow. The specific profile used will need to take into account the requirements of the board, other components, and the layout. The following recommendation should only be used as a guideline.

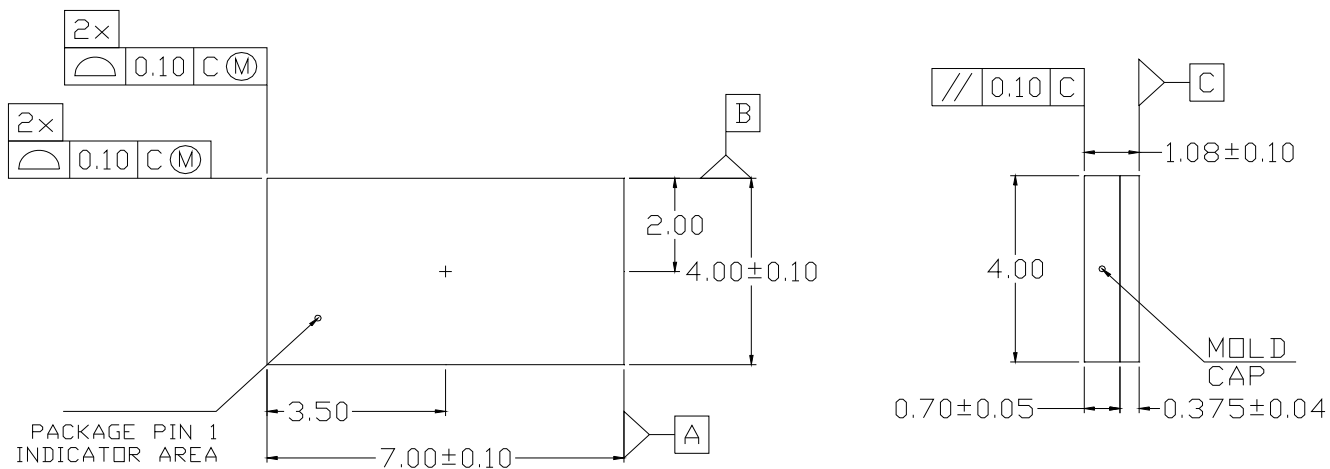


Tritium II PA-Duplexer Module™ CDMA Cellular Band

Package Dimensions



Bottom View



Package Drawing

Data Sheet

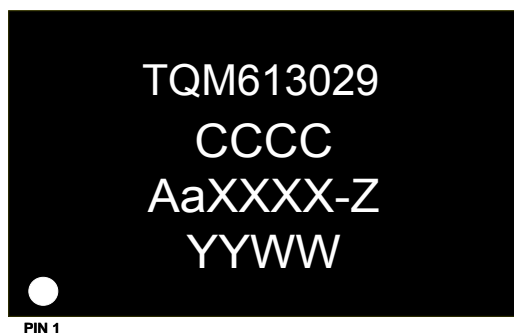
For additional information and latest specifications, see our website: www.triquint.com
 Revision H, August 5, 2009



Tritium II PA-Duplexer Module™ CDMA Cellular Band

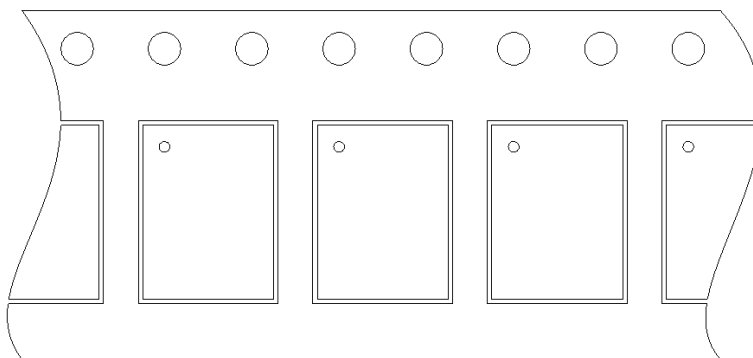
Package Marking

TOP MARK



- 1) Line 1: Product code = TQM613029
- 2) Line 2: Country Code = CCCC (USA = United States, PHIL = Philippines)
- 3) Line 3: AaXXXX-Z = Aa = Vendor code + XXXX = TriQuint Lot Number + Z = Sub lot # (1, 2, 3, ...)
- 4) Line 4: YYWW = Year and Work Week

Tape and Reel Specification:



MODULE 4x7 and 5x8
User Direction of Feed →

Carrier tape - 3M part # 3M053091, Ao = 4.55mm, Bo = 7.60mm, Ko = 1.73mm, width = 16mm, pitch = 8mm
Cover tape - 3M part # 2678 13.3mm wide

Note: Packaged quantity is 2,500 per reel

Data Sheet

For additional information and latest specifications, see our website: www.triquint.com
Revision H, August 5, 2009



Tritium II PA-Duplexer Module™ CDMA Cellular Band

Shipment Box & Label Description:

Tape & Reels will be packaged in a dry-pack bag and then in a shipment box. The box dimensions will depend on the number of reels shipped in each box and are noted in the table below. The box label and a description of each item on the label are also shown below.

| 13 Inch x16mm--Drypack | | |
|------------------------|--------------|-------------------------|
| Box Size | Reel Qty/Box | Empty Box Wt w/ Packing |
| 15x15x7 | 3 | 2 |
| 18x15x11 | 5 | 2.36 |
| 17x16x17 | 9 | 2.76 |



| | | |
|---|--|--|
| Format: 4 * 6.5 in 102 * 166 mm Code 39 1:2 | Ship From: TRIQUINT SEMICONDUCTOR, INC 2300 NE BROOKWOOD PARKWAY HILLSBORO, OR 97124 | Ship To: Recipient Address Information Here |
| Supplier Code: 10 Character Max. + TQS Shipper Number. (Pkg. ID/Serial Number) | (3S) Pkg ID: 581+23047123 | |
| Customer Purchase Order. 20 Character Max. | (K) Trans ID: 812934657 | |
| Customer Part Number. 22 Character Max. | (P) CPN: 5871-2489 | |
| Quantity. | (Q) QTY: 20000 | |
| Supplier Product Number. 21 Character Max. | (1P) SPN: TQD777001 | |
| Box Count (1/3, 2/3, etc.) | (13Q) Pkg Count: 1/1 | |
| | Package Weight 3.0 LB / 1.36 KG | |

MPN: 1005859 ← **Manufacturer's Part Number**

All Barcodes Contain Data Identifier Followed by Data, e.g. K812934657

Data Sheet

For additional information and latest specifications, see our website: www.triquint.com
Revision H, August 5, 2009



Tritium II PA-Duplexer Module™ CDMA Cellular Band

Additional Information¹

This part is compliant with RoHS directive (Restrictions on the Use of Certain Hazardous Substances in Electrical and Electronic Equipment).

The part is rated Moisture Sensitivity Level 3 at 260°C per JEDEC standard IPC/JEDEC J-STD-020.

¹ For latest specifications, additional product information, worldwide sales and distribution locations, and information about TriQuint:

Web: www.triquint.com

Tel: (503) 615-9000

Email: info_wireless@tqs.com

Fax: (503) 615-8902

For technical questions and additional information on specific applications:

Email: info_wireless@tqs.com

The information provided herein is believed to be reliable; TriQuint assumes no liability for inaccuracies or omissions. TriQuint assumes no responsibility for the use of this information, and all such information shall be entirely at the user's own risk. Prices and specifications are subject to change without notice. No patent rights or licenses to any of the circuits described herein are implied or granted to any third party.

TriQuint does not authorize or warrant any TriQuint product for use in life-support devices and/or systems.

Copyright © 2004 TriQuint Semiconductor, Inc. All rights reserved 2008.

Data Sheet

For additional information and latest specifications, see our website: www.triquint.com

Revision H, August 5, 2009

