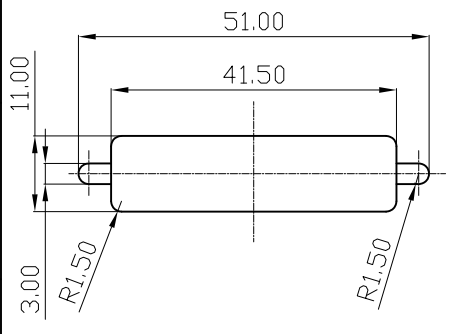
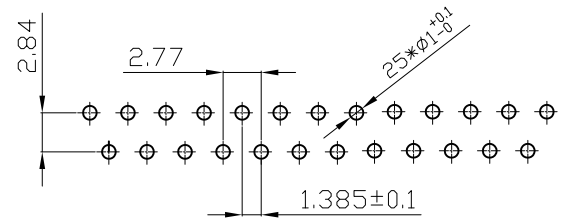
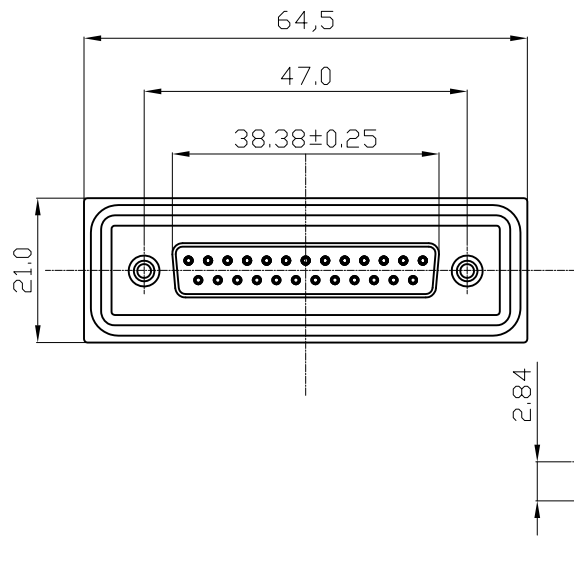
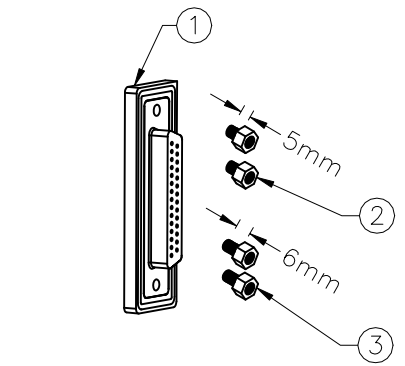
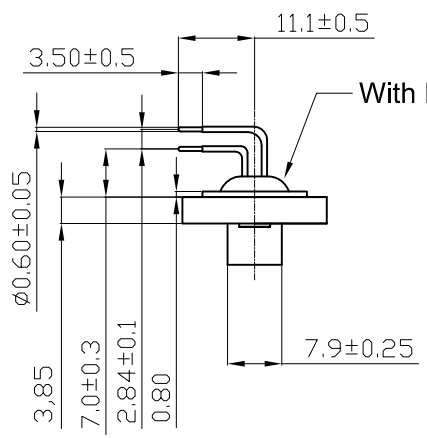


Panel Thickness
Screw L=5.0 For Panel Thickness Under 1.2mm
Screw L=6.0 For Panel Thickness Between 1.2-2.0mm



Recommended Panel Cut-Out

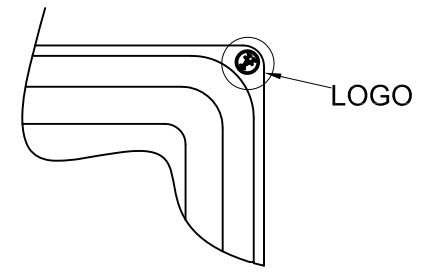


25 Pin Female Connector PCB Pin Layout Scale 2:1

NOTES:

MATERIAL

1. Insulator Material: Black, NYLON+G/F
2. Contact Material : Copper Alloy
3. Plating : Gold Plating
4. Waterproof Rate: IP67
5. Do Mating Test After Glued
6. LOGO



RoHS compliant

| | | | | | | | | | | |
|-----------|-------|-----|--------------|------------|----------|------------|---------|----------------------|---------|-------|
| Scale | 1:1 | | | | | Date | Name | Customer-No. | | |
| TOLERANCE | | | | | Drawn | 24.12.2008 | JACK | | | |
| X.X | ±0.25 | | | | Approved | 24.12.2008 | Hellwig | ASSMANN WSW-No. | | |
| X.XX | ±0.10 | | | | | | | A-DF 25 AA-WP | | |
| X.XXX | ±0.05 | | | | | | | Drawing-No. | | |
| DIM | TOL | | | | | | | ASS 3264 CO | | |
| ANGLE | ±1° | | | | | | | rev01 | | |
| X.X° | ±X° | ① | Drawn | 24.12.2008 | | | | JACK | Replace | Sheet |
| Angle | TOL | Id. | Modification | Date | | | | Name | | |

| | |
|-----------------|----------------------|
| Customer-No. | |
| ASSMANN WSW-No. | A-DF 25 AA-WP |
| Drawing-No. | ASS 3264 CO |
| Replace | rev01 |
| Sheet | |

RoHS compliant