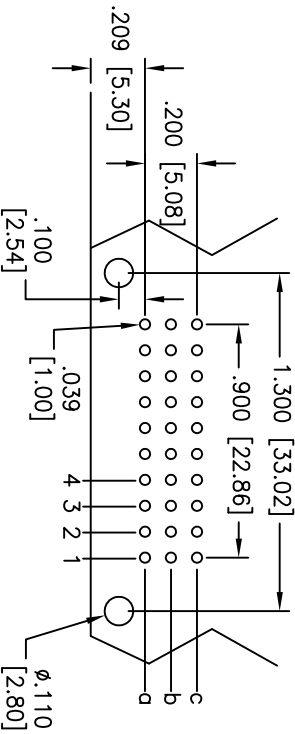
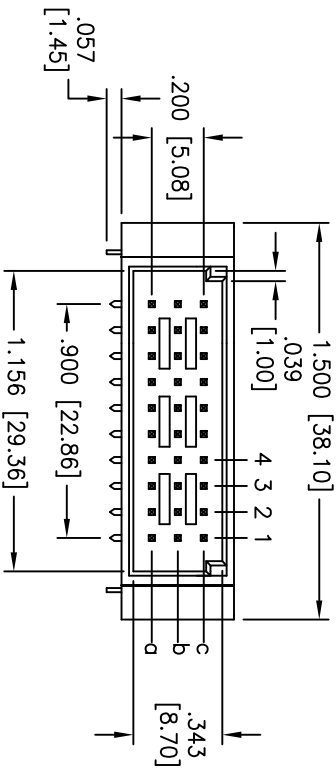
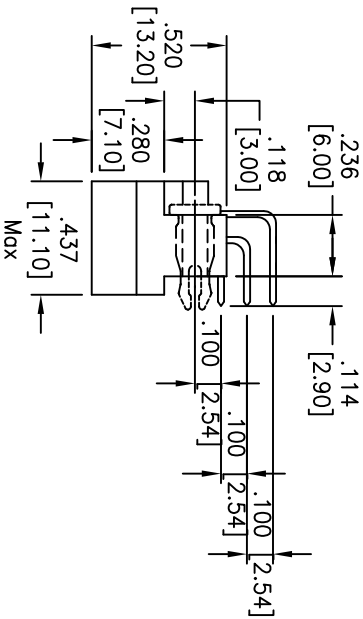
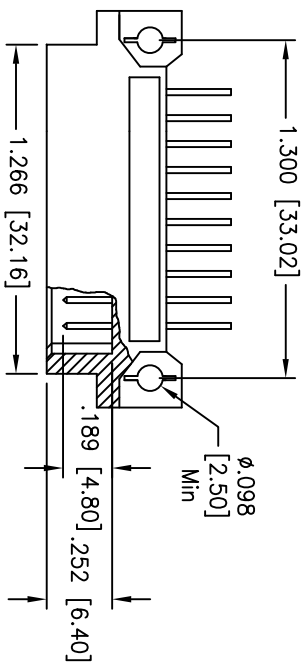


Rev	AWO #	Description	Date	Appr
-		RELEASED	8/19/09	

APPROVED: _____
 DATE: _____ TITLE: _____



RECOMMENDED PCB LAYOUT

"X"	PLATING	CLASS
1	30 u" Gold	1
2	15 u" Gold	2
3	Gold Flash	3

SPECIFICATIONS:

Material:
 Insulator: PBT, glass reinforced, rated UL 94V-0
 Contacts: Phosphor Bronze
Plating:
 X Gold over Nickel underplate on contact area,
 Tin over Copper underplate on solder tails.
 (See chart for thickness)

Electrical:

Current rating: 2 Amps max
 Contact resistance: 30 mohms max
 Insulation resistance: 1000 Mohms min@ DC 500V
 Dielectric withstanding voltage: 1000 VAC for 1 minute
Temperature Rating:
 Operating temperature: -55°C to +105°C
 Environmental:
 Lead free, RoHS compliant.
 Recommended soldering temp: 235°C for 5 sec.



ADAM TECH

909 Rahway Avenue, Union, NJ 07083
 Phone: 908-687-5000 Fax: 908-687-5710

DIN TYPE HALF C MALE, 30 PINS LOADED
3 ROW STRAIGHT, ROW A&B&C LOADED

UNLESS OTHERWISE SPECIFIED ALL DIMENSIONS ARE MM [INCHES] TOLERANCES: EXCEPT AS NOTED INCHES		HOLE SIZE	
.X	± .10	ØXX	± .10
.XX	± .020	ØXXX	± .015
.XXX	± .015	ØXXXX	± .010
APPROVALS		DATE	
DRAWN	DY	8/19/09	
CHECKED			
APPROVED			

SIZE	PART NO.	REV.
X	DIN-30MR-S33-A1CX	-
REF: S00068T	SCALE: NTS	SHEET 1 OF 1