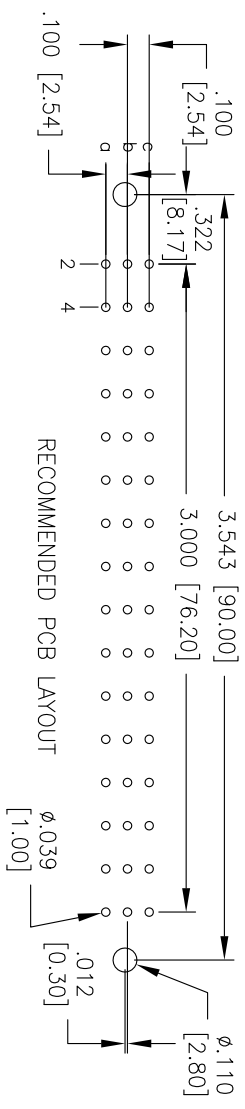
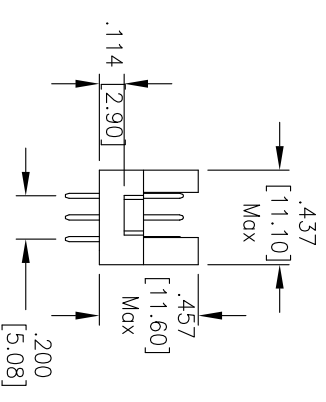
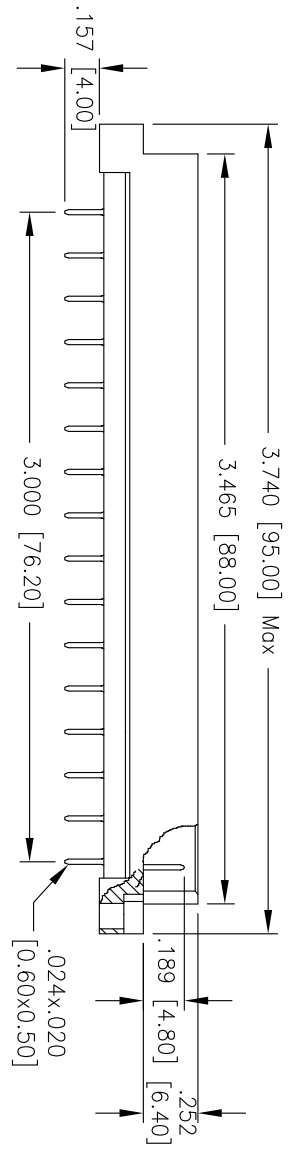
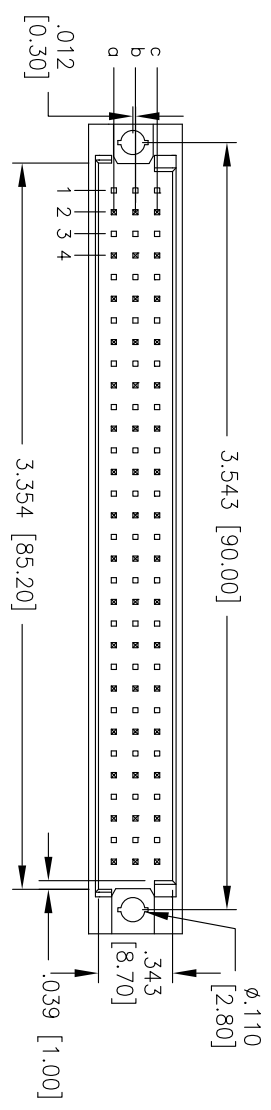


| Rev | AWO # | Description | Date     | Appr |
|-----|-------|-------------|----------|------|
| -   |       | RELEASED    | 11/12/09 |      |

APPROVED: \_\_\_\_\_  
 DATE: \_\_\_\_\_ TITLE: \_\_\_\_\_



RECOMMENDED PCB LAYOUT

| "X" | PLATING    | CLASS |
|-----|------------|-------|
| 1   | 30 u" Gold | 1     |
| 2   | 15 u" Gold | 2     |
| 3   | Gold Flash | 3     |

**SPECIFICATIONS:**

**Material:**  
 Insulator: PBT, glass reinforced, rated UL 94V-0  
**Contacts:** Brass  
**Plating:**  
 X Gold over Nickel underplate on contact area,  
 Tin over Copper underplate on solder tails.  
 (See chart for thickness)

**Electrical:**

Current rating: 2 Amps max  
 Contact resistance: 30 mohms max  
 Insulation resistance: 1000 Mohms min@ DC 500V  
 Dielectric withstanding voltage: 1000 VAC for 1 minute  
**Temperature Rating:**  
 Operating temperature: -55°C to +105°C  
 Environmental:  
 Lead free, RoHS compliant.  
 Recommended soldering temp: 235°C for 5 sec.



**ADAM TECH**

909 Railway Avenue, Union, NJ 07083  
 Phone: 908-687-5000 Fax: 908-687-5710

TITLE: DIN TYPE R MALE, 32 PINS LOADED  
 3 ROWS STRAIGHT, ROW A & B & C LOADED

| UNLESS OTHERWISE SPECIFIED<br>ALL DIMENSIONS ARE MM [INCHES]<br>TOLERANCES: EXCEPT AS NOTED |        |
|---|--------|
| .X  | ± .10  |
| .XX   | ± .020 |
| .XXX  | ± .015 |
| .XXX  | ± .010 |
| ØXX   | ± .10  |
| ØXXX  | ± .015 |
| ØXXX  | ± .010 |

| APPROVALS | DATE |
|-----------|------|
| DRAWN     | DY   |
| CHECKED   |      |
| APPROVED  |      |

| SIZE | PART NO.          | SCALE | SHEET 1 OF 1 |
|------|-------------------|-------|--------------|
| X    | DIN-32MS-L32-B1CX | NTS   |              |

6 5 4 3 2 1