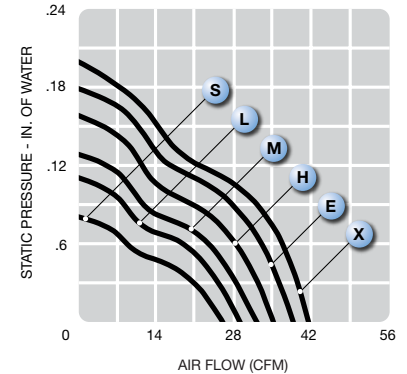
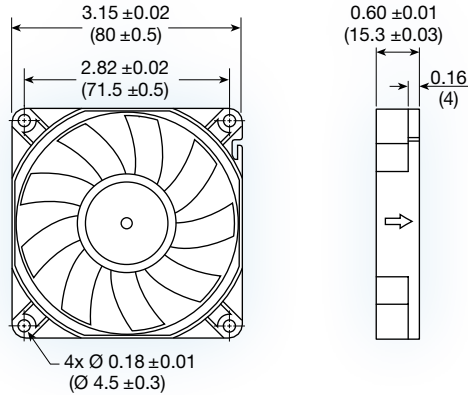


# G8015-G series



**(80 x 80 x 15 mm)**

3.15 x 3.15 x 0.59 inches

Construction: UL94V-0 PBT impeller & frame

Bearing option: ball bearing or sleeve

Connection: AWG 26, UL1007 lead wires

Frame: ribbed

Protection: thermal

Options: tachometer output or locked rotor alarm signal; encapsulated motor; PWM speed control

Model No.	Rated Voltage V	Current mA			Speed RPM	Air Volume		Max. Static Pressure (H <sub>2</sub> O)		Sound Noise dB <sub>A</sub>	Weight g
		5	12	24		M <sup>3</sup> /Min.	CFM	MM	INCH		
G8015S-G	5/12/24	200	100	80	2,800	0.73	26	2.24	0.09	28	58
G8015L-G	5/12/24	280	130	90	3,200	0.82	29	2.86	0.11	31	58
G8015M-G	5/12/24	380	180	120	3,600	0.92	32	3.47	0.14	34	58
G8015H-G	12/24	-	230	150	4,000	1.05	37	4.29	0.17	36	58
G8015E-G	12/24	-	320	180	4,400	1.13	40	5.00	0.20	38	58
G8015X-G	12/24	-	350	250	4,800	1.23	43	5.92	0.23	40	58