

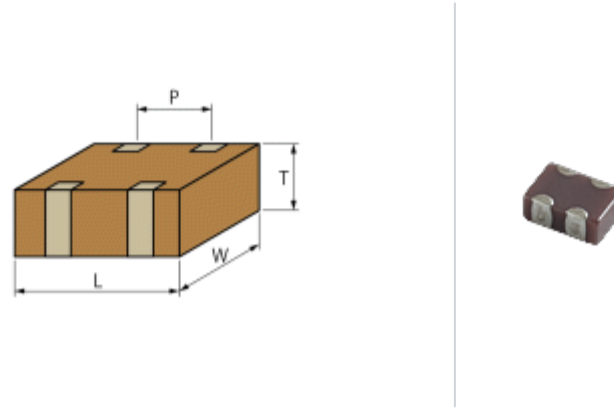
# GNM1M2R60J105ME12#

" # " indicates a package specification code.



< List of part numbers with package codes >  
 GNM1M2R60J105ME12D , GNM1M2R60J105ME12J

Shape



|                                       |                  |
|---------------------------------------|------------------|
| L size                                | 1.37 ± 0.15mm    |
| W size                                | 1.0 ± 0.15mm     |
| T size                                | 0.8 +0.0/-0.15mm |
| Distance between external terminals P | 0.64 ± 0.05mm    |
| Size code in mm(inch)                 | 1410 (0504)      |

Specifications

|  |             |
|--|-------------|
| Capacitance                                      | 1.0μF ± 20% |
| Rated voltage                                    | 6.3Vdc      |
| Temperature characteristics (complied standard)  | X5R(EIA)    |
| Capacitance change rate                          | ± 15.0%     |
| Temperature range of temperature characteristics | -55 to 85   |
| Operating temperature range                      | -55 to 85   |

References

| Packaging | Specifications     | Minimum quantity |
|-----------|--------------------|------------------|
| D         | 180mm Paper taping | 4000             |
| J         | 330mm Paper taping | 10000            |

|            | Mass (typ.) |
|------------|-------------|
| 1 piece    | 4.7mg       |
| 180mm Reel | 137g        |

**Attention**

- 1.This datasheet is downloaded from the website of Murata Manufacturing Co., Ltd. Therefore, it ' s specifications are subject to change or our products in it may be discontinued without advance notice. Please check with our sales representatives or product engineers before ordering.
- 2.This datasheet has only typical specifications because there is no space for detailed specifications. Therefore, please review our product specifications or consult the approval sheet for product specifications before ordering.