



# GV4145A

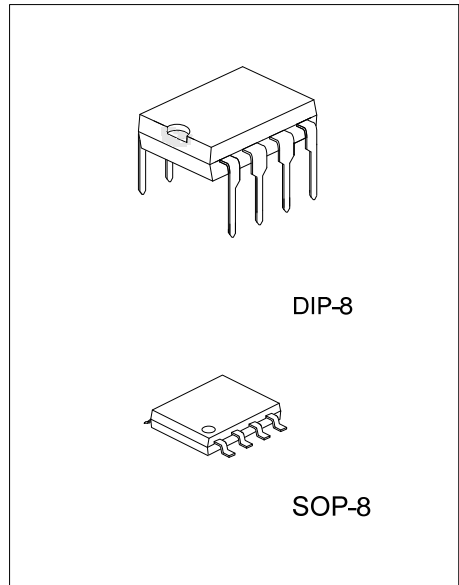
## LINEAR INTEGRATED CIRCUIT

### LOW POWER GROUND FAULT INTERRUPTER

■ DESCRIPTION

The UTC **GV4145A** is a low power controller for AC outlet ground fault interrupters. These devices detect hazardous grounding conditions, such as equipment (connected to opposite phases of the AC line) in contact with a pool of water and open circuits the line before a harmful or lethal shock occurs.

Contained internally are a 26V zener shunt regulator, an opamp, and an SCR driver. With the addition of two sense transformers, a bridge rectifier, an SCR, a relay, and a few additional components, the UTC **GV4145A** will detect and protect against both hot wire to ground and neutral wire to ground faults. Ease of application and long-term reliability.



■ FEATURES

- \* No potentiometer required
- \* Direct interface to SCR
- \* Supply voltage derived from AC line-26V shunt
- \* Adjustable sensitivity
- \* Grounded neutral fault detection
- \* Meets U.L.943 standards
- \* 450µA quiescent current
- \* I deal for 120V or 220V systems

■ ORDERING INFORMATION

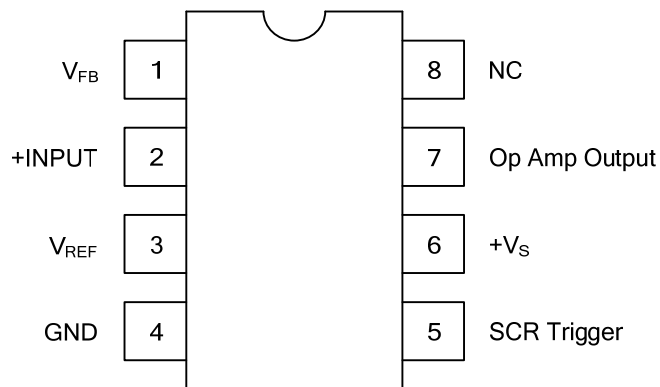
Ordering Number		Package	Packing
Lead Free	Halogen Free		
GV4145AG-D08-T	GV4145AG-D08-T	DIP-8	Tube
-	GV4145AG-S08-R	SOP-8	Tape Reel

<p>GV4145AL-S08-R</p> <ul style="list-style-type: none"> <li>(1) Packing Type</li> <li>(2) Package Type</li> <li>(3) Green Package</li> </ul>	<ul style="list-style-type: none"> <li>(1) T: Tube, R: Tape Reel</li> <li>(2) D08: DIP-8, S08: SOP-8</li> <li>(3) L: Lead Free, G: Halogen Free and Lead Free</li> </ul>
---	--

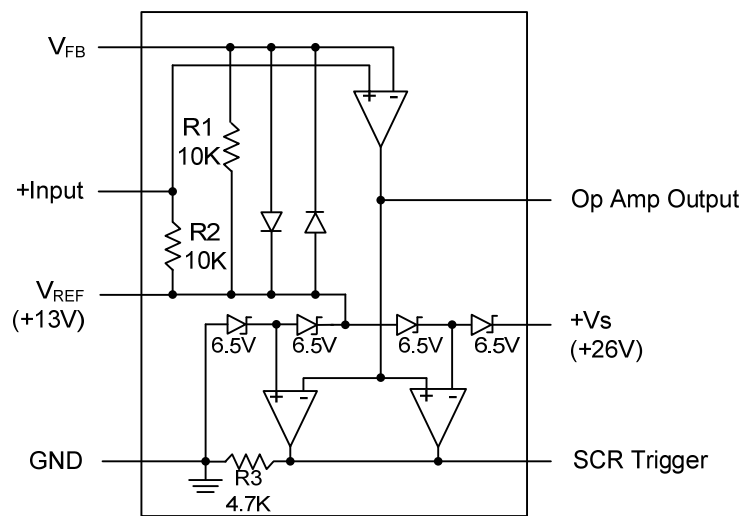
■ MARKING

DIP-8	SOP-8

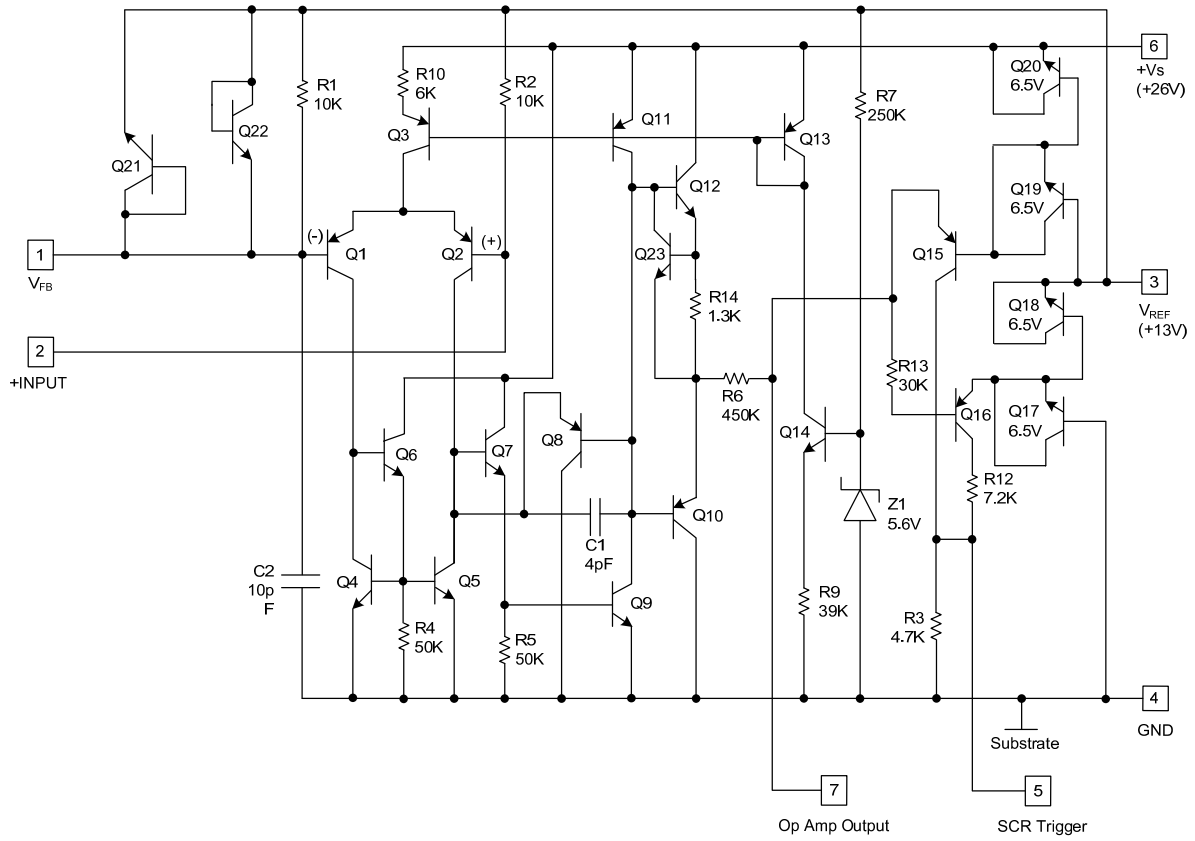
## ■ PIN CONFIGURATION



## ■ BLOCK DIAGRAM



## INTERNAL SCHEMATIC DIAGRAM



## ■ ABSOLUTE MAXIMUM RATING

PARAMETER	SYMBOL	RATINGS	UNIT
Supply Current	$I_{CC}$	18	mA
Power Dissipation	$P_D$	500	mW
Junction Temperature	$T_J$	125	°C
Operating Temperature	$T_{OPR}$	-35~+85	°C
Storage Temperature	$T_{STG}$	-65~+150	°C

Note: Absolute maximum ratings are those values beyond which the device could be permanently damaged.  
 Absolute maximum ratings are stress ratings only and functional device operation is not implied.

## ■ THERMAL RESISTANCES CHARACTERISTICS

PARAMETER	SYMBOL	MIN	TYP	MAX	UNIT
Junction-to-Ambient	SOP-8	$\theta_{JA}$	240		°C/W
	DIP-8		160		°C/W

## ■ ELECTRICAL CHARACTERISTICS ( $T_A=25^\circ\text{C}$ , $I_S=1.5\text{mA}$ )

PARAMETER	SYMBOL	TEST CONDITIONS	MIN	TYP	MAX	UNIT
Detector Reference Voltage	$V_{REF(DET)}$	Pin 7 ~ Pin 3	6.8	7.2	8.1	$\pm\text{V}$
<b>SHUNT REGULATOR</b>						
Zener Voltage	$V_Z$	Pin 6 ~ Pin 4	25	26	29.2	V
Reference Voltage	$V_{REF}$	Pin 3 ~ Pin 4	12.5	13	14.6	V
Quiescent Current	$I_Q$	+ $V_S=24\text{V}$		450	750	$\mu\text{A}$
<b>OPERATIONAL AMPLIFIER</b>						
Offset Voltage	$V_{OS}$	PIN 2 ~ PIN 3	-3.0	0.5	+3.0	MV
+Output Voltage Swing	$V_{OH}$	Pin 7 ~ Pin 3	6.8	7.2	8.1	V
- Output Voltage Swing	$V_{OL}$	Pin 7 ~ Pin 3	-9.5	-11.2	-13.5	V
+Output Source Current	$I_{O(SOURCE)}$	Pin 7 ~ Pin 3		650		$\mu\text{A}$
- Output Source Current	$I_{O(SINK)}$	Pin 7 ~ Pin 3		1.0		mA
Gain Bandwidth Product	GBW	F=50KHZ	1.0	1.8		MHz
R <sub>1</sub> Resistors	R <sub>1</sub>	Pin 1 ~ Pin 3, $I_S=0\text{mA}$		10		K $\Omega$
R <sub>2</sub> Resistors	R <sub>2</sub>	Pin 2 ~ Pin 3, $I_S=0\text{mA}$		10		K $\Omega$
R <sub>3</sub> Resistors	R <sub>3</sub>	Pin 5 ~ Pin 4, $I_S=0\text{mA}$	3.5	4.7	5.9	K $\Omega$
SCR Trigger Voltage Detector ON	$V_{ON(SCR)}$	Pin 5 ~ Pin 4	1.5	2.8		V
SCR Trigger Voltage Detector OFF	$V_{OFF(SCR)}$	Pin 5 ~ Pin 4	0	1	10	mV

## ■ ELECTRICAL CHARACTERISTICS ( $-35^\circ\text{C} \leq T_A \leq +85^\circ\text{C}$ , $I_S=1.5\text{mA}$ )

PARAMETER	SYMBOL	TEST CONDITIONS	MIN	TYP	MAX	UNIT
Detector Reference Voltage	$V_{REF(DET)}$	Pin 7 ~ Pin 3	6.5	7.2	8.3	$\pm\text{V}$
<b>Shunt Regulator</b>						
Zener Voltage	$V_Z$	Pin 6 ~ Pin 4	24	26	30	V
Reference Voltage	$V_{REF}$	Pin 3 ~ Pin 4	12	13	15	V
Quiescent Current( $I_S$ )	$I_Q$	+ $V_S=23\text{V}$		500		$\mu\text{A}$
<b>Operational Amplifier</b>						
Offset Voltage	$V_{OS}$	Pin 2 ~ Pin 3	-5.0	0.5	+5.0	mV
+Output Voltage Swing	$V_{OH}$	Pin 7 ~ Pin 3	6.5	7.2	8.3	V
- Output Voltage Swing	$V_{OL}$	Pin 7 ~ Pin 3	-9.	-11.2	-14	V
Gain Bandwidth Product	GBW	F=50KHZ		1.8		MHz
Resistors R1	R1	Pin 1 ~ Pin 3, $I_S=0\text{mA}$		10		K $\Omega$
Resistors R2	R2	Pin 2 ~ Pin 3, $I_S=0\text{mA}$		10		K $\Omega$
Resistors R3	R3	Pin 5 ~ Pin 4, $I_S=0\text{mA}$	3.5	4.7	5.9	K $\Omega$
SCR Trigger Voltage Detector On	$V_{ON(SCR)}$	Pin 5 ~ Pin 4	1.3	2.8		V
SCR Trigger Voltage Detector Off	$V_{OFF(SCR)}$	Pin 5 ~ Pin 4	0	3	50	mV

## ■ PRINCIPLES OF OPERATION

### PRINCIPLES OF OPERATION

The 26V shunt regulator voltage generated by the string of zener diodes is divided into three reference voltages: 3/4Vs, 1/2Vs, and 1/4Vs.  $V_{REF}$  is at 1/2Vs and is used as a reference to create an artificial ground of +13V at the op amp noninverting input.

Figure 1 shows a three-wire 120V AC outlet GFI application using an UTC **GV4145A**. Fault signals from the sense transformer are AC coupled into the input and are amplified according to the following equation:

$$V7 = R_{SENSE} \times I_{SENSE} / N$$

Where  $V7$  is the RMS voltage at pin7 relative to pin 3,  $R_{SENSE}$  is the value of the feedback resistor connected from pin 7 to pin 1,  $I_{SENSE}$  is the fault current in amps RMS and  $N$  is the turns ratio of the transformer. When  $V7$  exceeds plus or minus 7.2V relative to pin 3 the SCR Trigger output will go high and fire the external SCR.

The formula for  $V7$  is approximate because it does not include the sense transformer characteristics.

Grounded neutral fault detection is accomplished when a short or fault closes a magnetic path between the sense transformer and the grounded neutral transformer. The resultant AC coupling closes a positive feedback path around the op amp, and therefore the op amp oscillates. When the peaks of the oscillation voltage exceed the SCR trigger comparator thresholds, the SCR output will go high.

### SHUNT REGULATOR

$R_{LINE}$  limits the current into the shunt regulator; 220V applications will require substituting a 47k $\Omega$  2W resistor. In addition to supplying power to the IC, the shunt regulator creates internal reference voltages( see above).

### OPERATIONAL AMPLIFIER

$R_{SENSE}$  is a feedback resistor that sets gain and therefore sensitivity to normal faults. To adjust  $R_{SENSE}$ , follow this procedure: apply the desired fault current (a difference in current of 5mA is the UL943 standard). Adjust  $R_{SENSE}$  upward until the SCR activates. A fixed resistor can be used for  $R_{SENSE}$ , since the resultant  $\pm 15\%$  variation in sensitivity will meet UL's 943 4~6mA specification window.

The roll-off frequency is greater than the grounded neutral fault oscillation frequency, in order to preserve loop gain for oscillation (which is determined by the inductance of the 200:1 transformer and C4).

The sensitivity to grounded neutral faults is adjusted by changing the frequency of oscillation. Increasing the frequency reduces the sensitivity by reducing the loop gain of the positive feedback circuit. As frequency increases, the signal becomes attenuated and the loop gain decreases. With the values shown the circuit will detect a grounded neutral fault having resistance of 2 $\Omega$  or less.

The input to the op amp are protected from overvoltage by back-to back diodes.

### SCR DRIVER

The SCR used must have a high dV/dt rating to ensure that line noise (generated by noisy appliances such as a drill motor) does not falsely trigger the SCR. Also, the SCR must have a gate drive requirement of less than 200 $\mu$ A.  $C_F$  is a noise filter capacitor that prevents narrow pulses from firing the SCR.

The relay solenoid used should have a 3ms or less response time in order to meet the UL 943 timing requirement.

### SENSE TRANSFORMERS AND CORES

The sense and grounded neutral transformer cores are usually fabricated using high permeability laminated steel rings. Their single turn primary is created by passing the line and neutral wires through the center of its core. The secondary is usually from 200 to 1500 turns.

### TWO-WIRE APPLICATION CIRCUIT

Figure 2 shows the diagram of a 2-wire 120V AC outlet GFI circuit using an UTC **GV4145A**. This circuit is not designed to detect grounded neutral faults. Thus, the grounded neutral transformer and capacitors C3 and C4 of Figure 1 are not used.

## ■ TYPICAL APPLICATION CIRCUIT

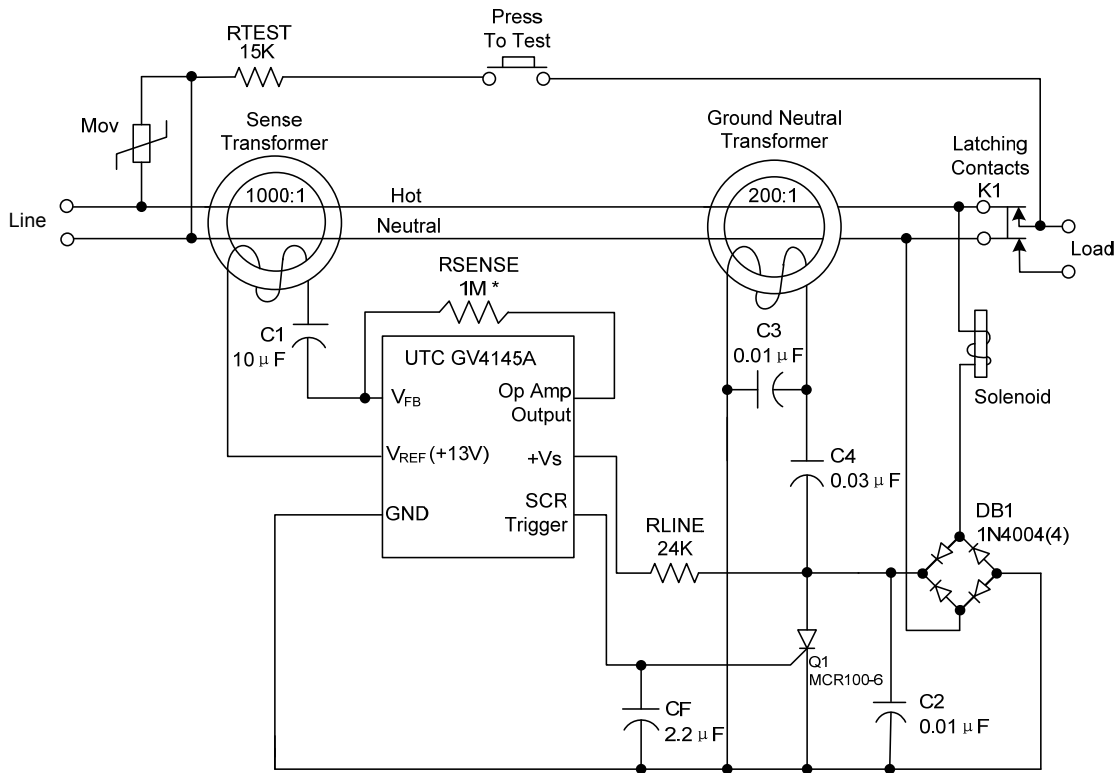


Figure 1. GFI Application Circuit (Three-Wire Outlet)

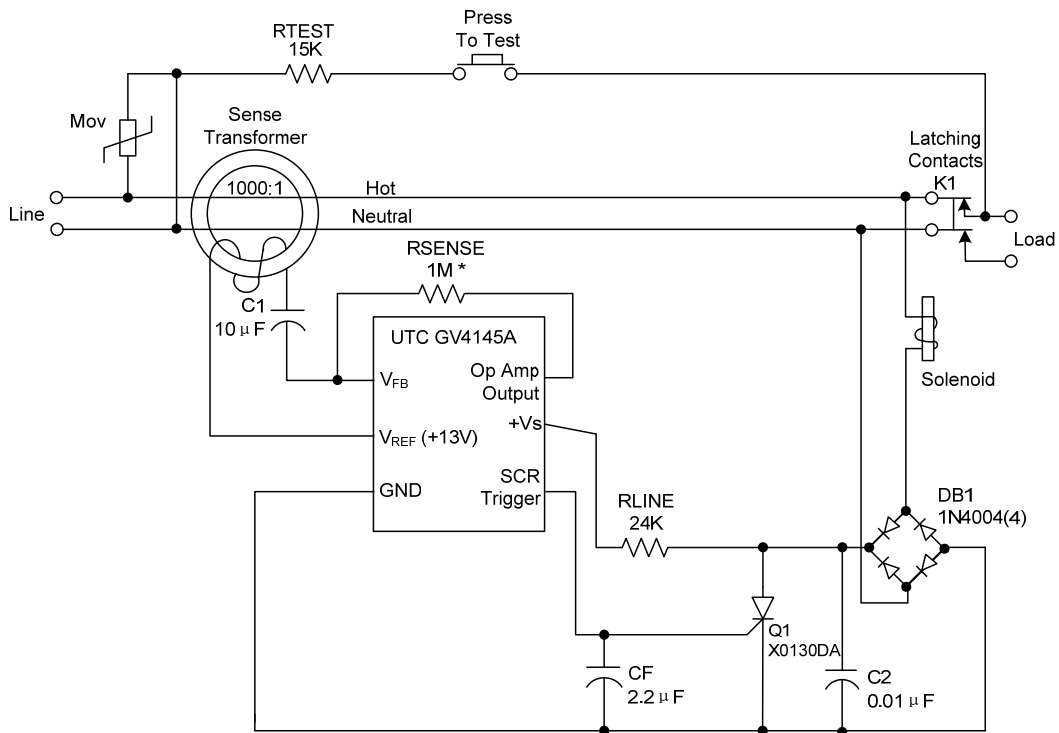


Figure 2. GFI Application Circuit (Two-Wire Outlet)

Note: Value depends on transformer characteristics.

UTC assumes no responsibility for equipment failures that result from using products at values that exceed, even momentarily, rated values (such as maximum ratings, operating condition ranges, or other parameters) listed in products specifications of any and all UTC products described or contained herein. UTC products are not designed for use in life support appliances, devices or systems where malfunction of these products can be reasonably expected to result in personal injury. Reproduction in whole or in part is prohibited without the prior written consent of the copyright owner. The information presented in this document does not form part of any quotation or contract, is believed to be accurate and reliable and may be changed without notice.