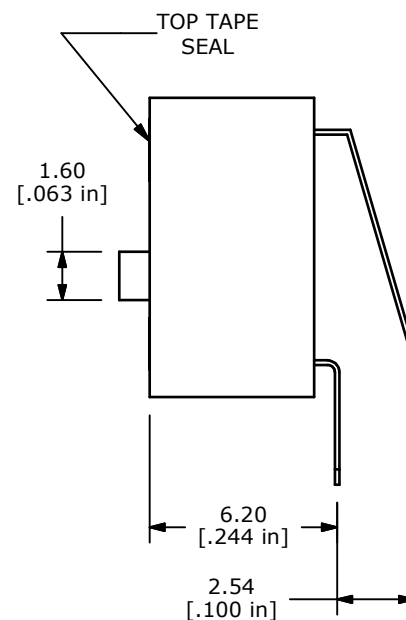
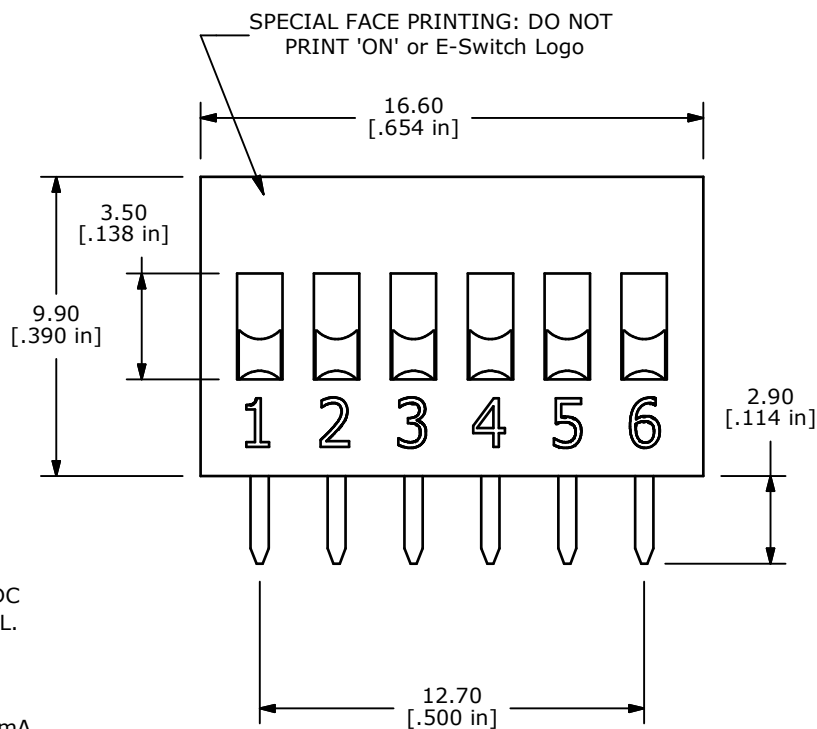
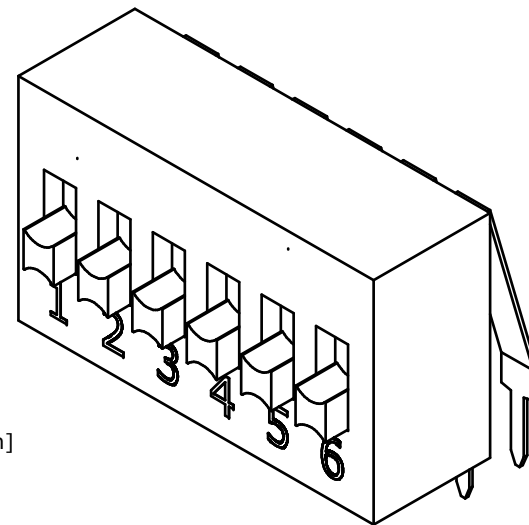
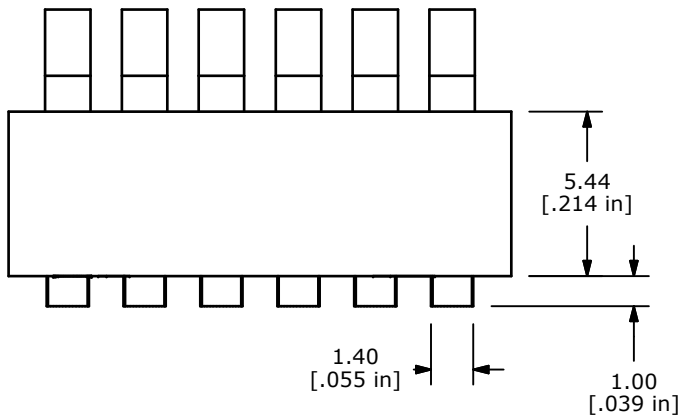


NOTE:

1. ALL DIMENSIONS IN MM [INCH]
2. GENERAL TOLERANCE: X.X=±0.4  
X.XX=±0.25
3. TERMINAL NUMBERS FOR REF ONLY
4. PLATING MATERIAL: SILVER
5. RATING: SWITCH: 25mA @ 24VDC  
CARRY: 100mA @ 50VDC
- ▲ 6. OPERATING LIFE: 2,000 CYCLES, EACH CIRCUIT
7. INSULATION RESISTANCE: 100 MΩ min. @ 500VDC
8. DIELECTRIC STRENGTH: 1,000 V RMS @SEA LEVEL.
9. OPERATING FORCE: 1,000gf MAX.
10. OPERATING TEMP: -40°C to 85°C
11. CONTACT RESISTANCE:  
INITIAL: 50m Ω TYP. @ 2-4VDC @ 100mA  
AFTERLIFE: 100mΩ TYP. @ 2.4 DC @ 100mA
12. ▲ DENOTES CRITICAL PARAMETER.
13. 2002/95/EC (ROHS) COMPLIANT



B	21411	CHANGE TITLE	3/19/14	EBP
A	18663	RELEASED FOR PRODUCTION	10/15/09	BLR
REV	PCR NO	DESCRIPTION	DATE	BY

TITLE KAS2106ET SPECIAL <span style="border: 1px solid black; border-radius: 50%; padding: 2px;">B</span>				
SCALE	DATE	DR	DWG	REV
4:1	10/15/2009	BLR	N321063	B

THE INFORMATION CONTAINED IN THIS DOCUMENT IS PROPRIETARY TO E-SWITCH AND IS NOT TO BE COPIED OR TRANSFERRED