



# TAI-SAW TECHNOLOGY CO., LTD.

No. 3, Industrial 2nd Rd., Ping-Chen Industrial District,  
Taoyuan, 324, Taiwan, R.O.C.

TEL: 886-3-4690038 FAX: 886-3-4697532

E-mail: [tstsales@mail.taisaw.com](mailto:tstsales@mail.taisaw.com) Web: [www.taisaw.com](http://www.taisaw.com)

## Product Specifications Approval Sheet

Product Description: SAW Filter 1950MHz 60MHz BW SMD 1.4x1.1 mm

TST Part No.: TA1696A

Customer Part No.: \_\_\_\_\_

Customer signature required
Company: _____
Division: _____
Approved by : _____
Date: _____

Checked by: \_\_\_\_\_ Andy Yu *Andy Yu*

Approved by: \_\_\_\_\_ Bob Chau *Bob Chau*

Date: \_\_\_\_\_ 2014/02/25

1. Customer signed back is required before TST can proceed with sample build and receive orders.
2. Orders received without customer signed back will be regarded as agreement on the specifications.
3. Any specifications changes must be approved upon by both parties and a new revision of specifications shall be released to reflect the changes.



# TAI-SAW TECHNOLOGY CO., LTD.

No. 3, Industrial 2nd Rd., Ping-Chen Industrial District,  
Taoyuan, 324, Taiwan, R.O.C.

TEL: 886-3-4690038 FAX: 886-3-4697532

E-mail: [tstsales@mail.taisaw.com](mailto:tstsales@mail.taisaw.com) Web: [www.taisaw.com](http://www.taisaw.com)

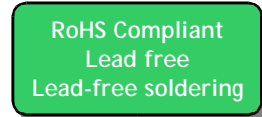
## SAW Filter 1950MHz 60MHz BW SMD 1.4x1.1 mm

MODEL NO.: TA1696A

REV. NO.:1.0

### A. MAXIMUM RATING:

1. Input Power Level: 10 dBm
2. DC Voltage : 3V
3. Operating Temperature: -30°C to +85°C
4. Storage Temperature: -40°C to +85°C



Electrostatic Sensitive Device (ESD)

### B. ELECTRICAL CHARACTERISTICS:

Terminating source impedance :  $Z_s = 50 \Omega$

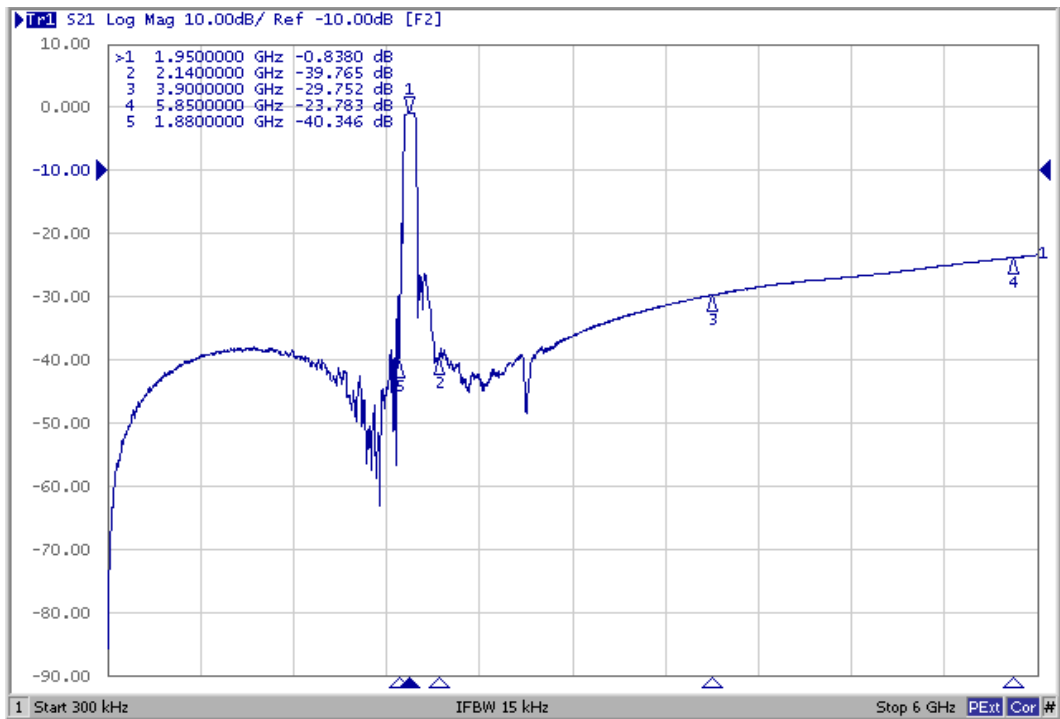
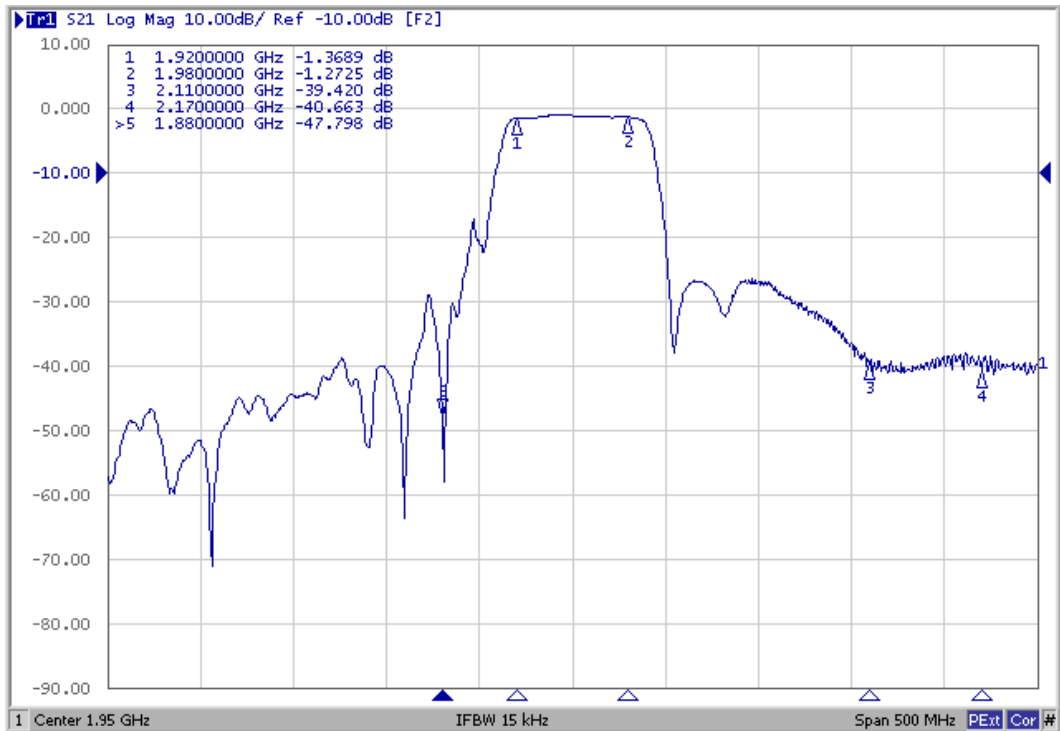
Terminating load impedance :  $Z_L = 50 \Omega$

Parameters Description	Unit	Minimum	Typical	Maximum
Center Frequency (Fo)	MHz	-	1950	-
Insertion Loss within 1920.0 ~ 1980.0 MHz	dB	-	1.6	2.5
Amplitude Ripple within 1920.0 ~ 1980.0 MHz	dB <sub>p-p</sub>	-	0.6	1.5
VSWR within 1920.0 ~ 1980.0 MHz	-	-	1.9	2.3
<b>Attenuation:</b>				
DC ~ 1577.0 MHz	dB	32	38	-
1577.0 ~ 1880.0 MHz	dB	22	29	-
2110.0 ~ 2170.0 MHz	dB	35	38	-
2500.0 ~ 3120.0 MHz	dB	28	34	-
3840.0 ~ 3960.0 MHz	dB	25	29	-
5760.0 ~ 5940.0 MHz	dB	15	21	-

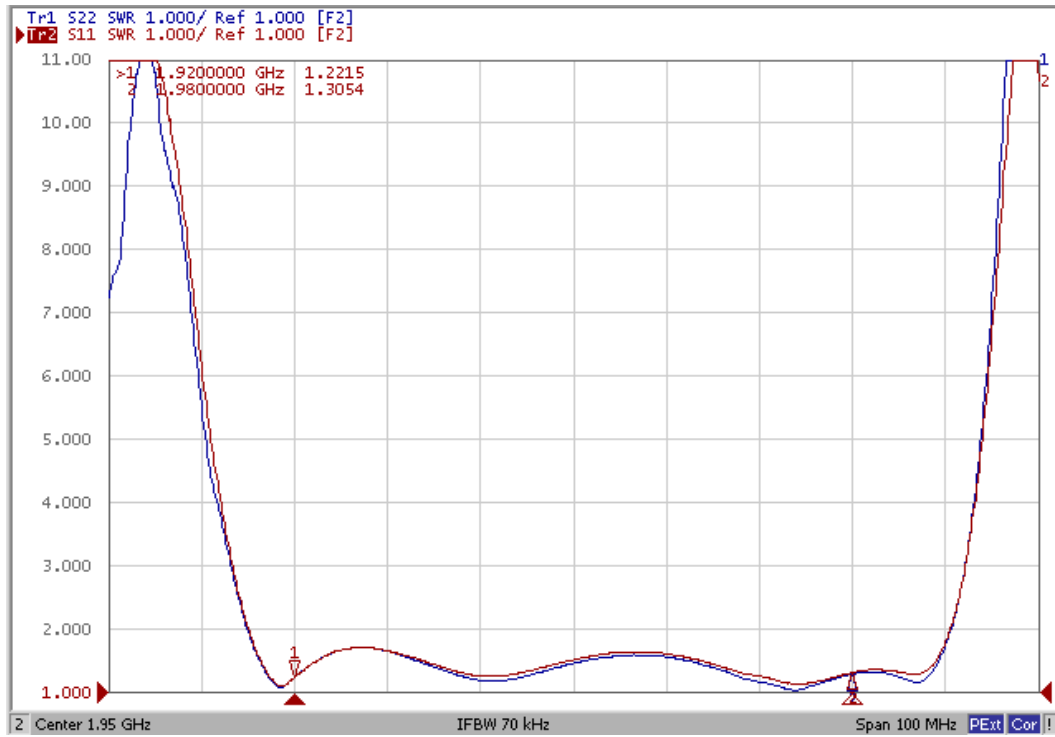
**Notes :** (1) No Matching Network .

### C. FREQUENCY CHARACTERISTICS:

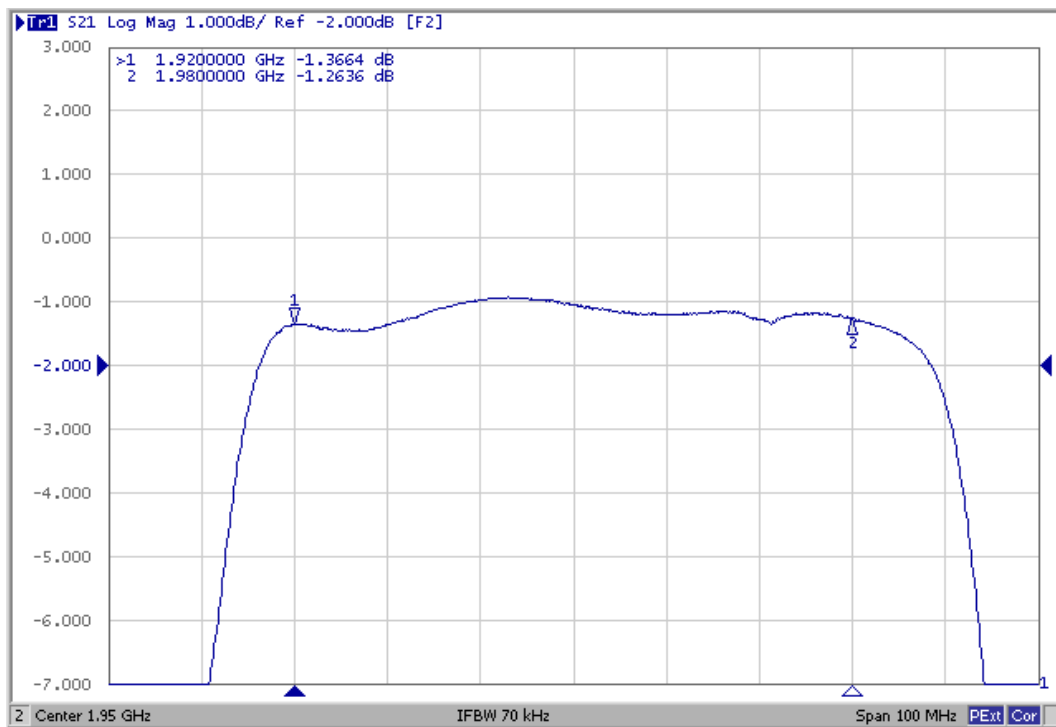
#### Frequency Response



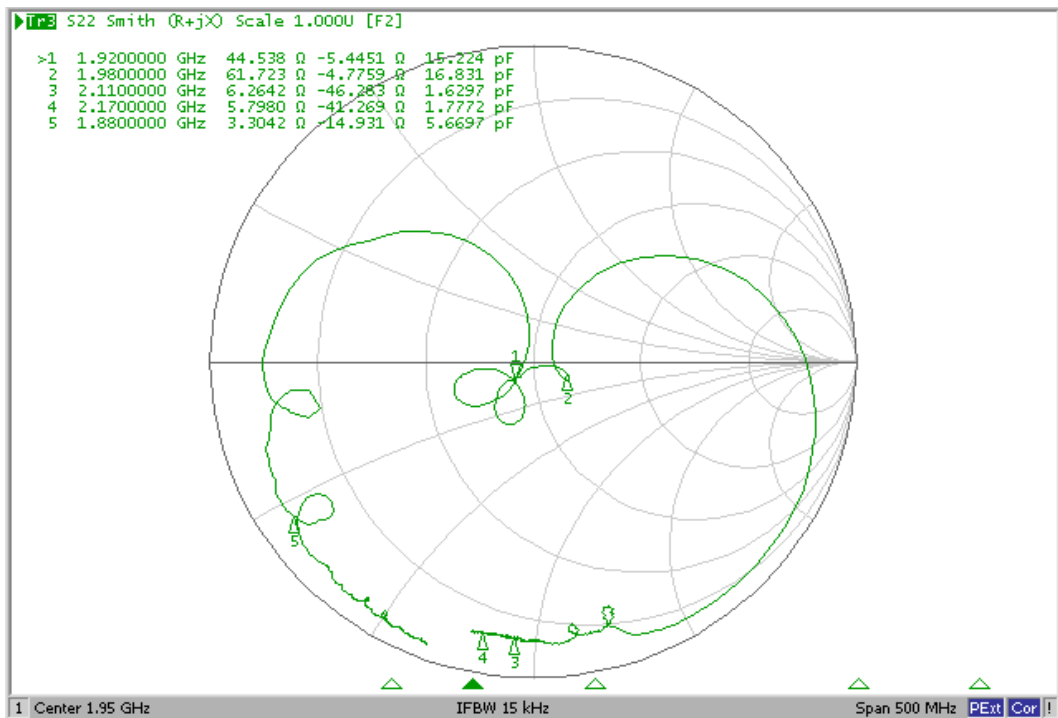
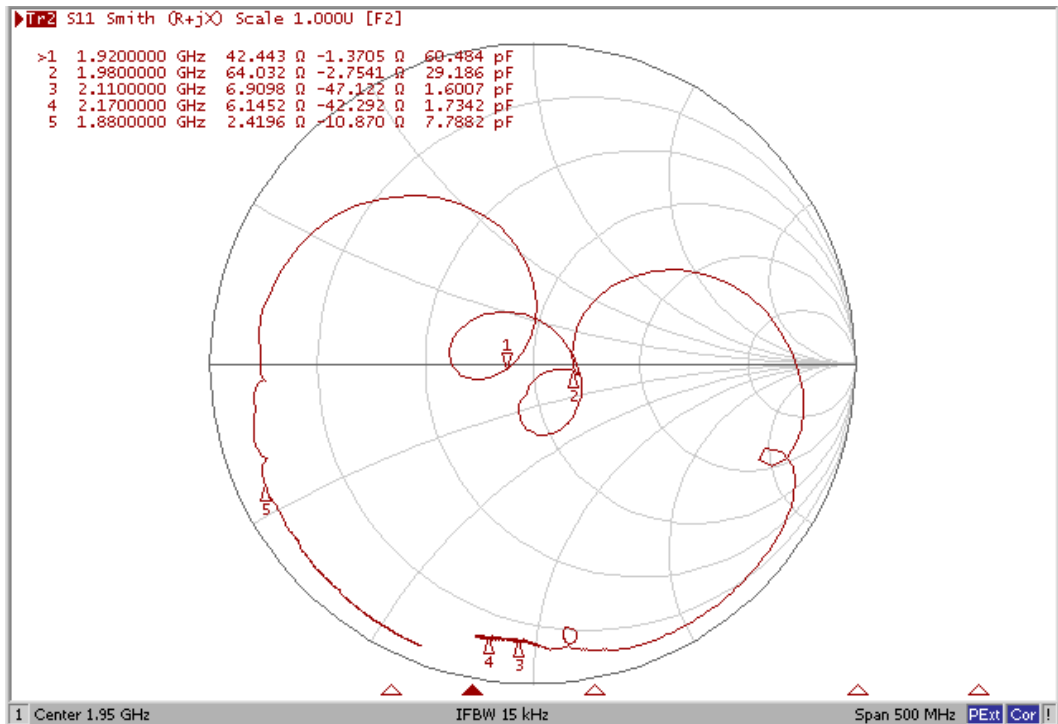
## VSWR



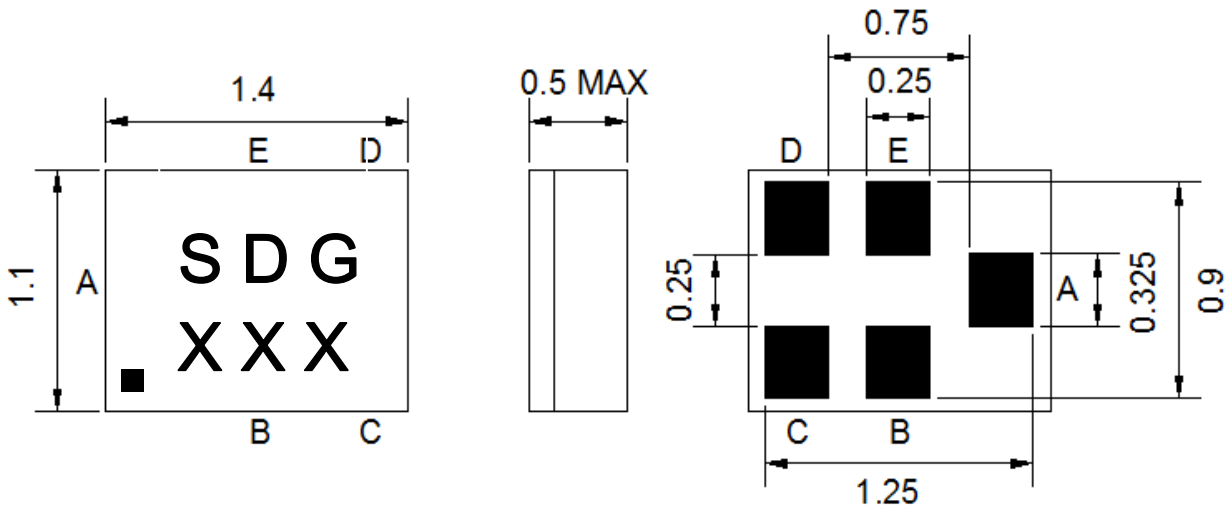
## Ripple



## Smith Chart



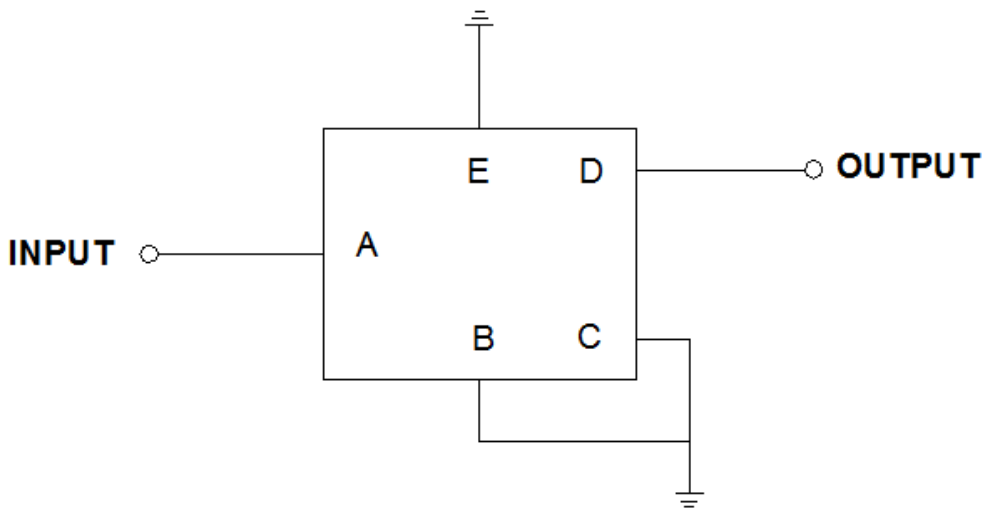
**D. OUTLINE DRAWING:**



Marking Descriptions	
S	SAWNICS
DG	Series Number
XXX	Date Code(Year+Month+LOT)

Pin Description	
B, C, E	Ground
A	Input
D	Output

**E. MEASUREMENT CIRCUIT:**

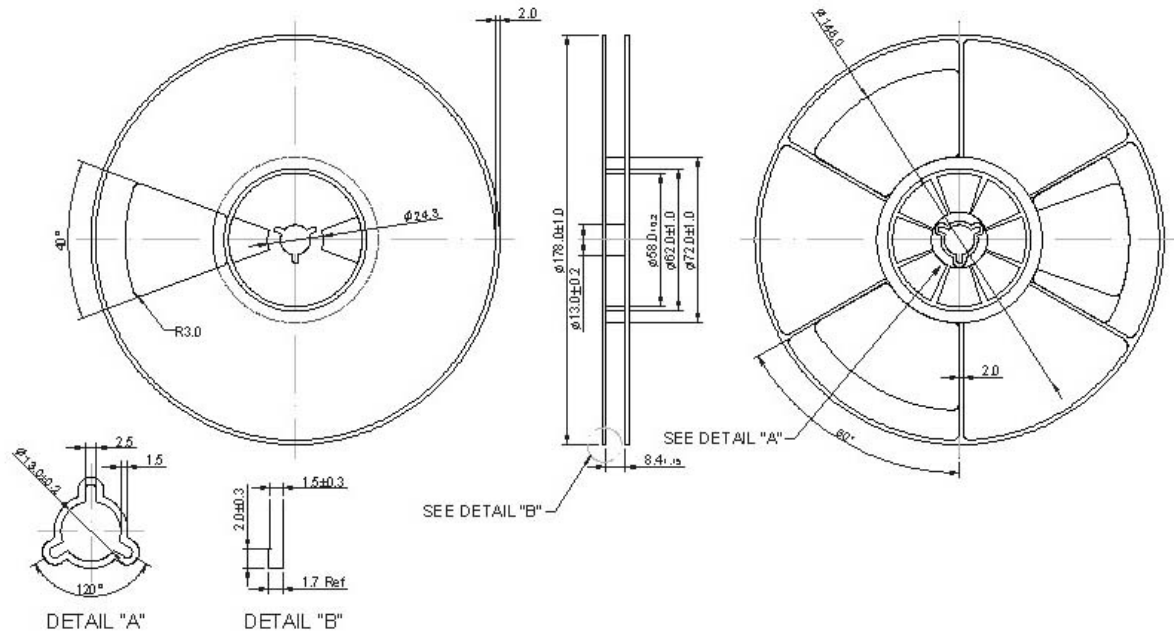


Source & Load Impedance: 50 Ω

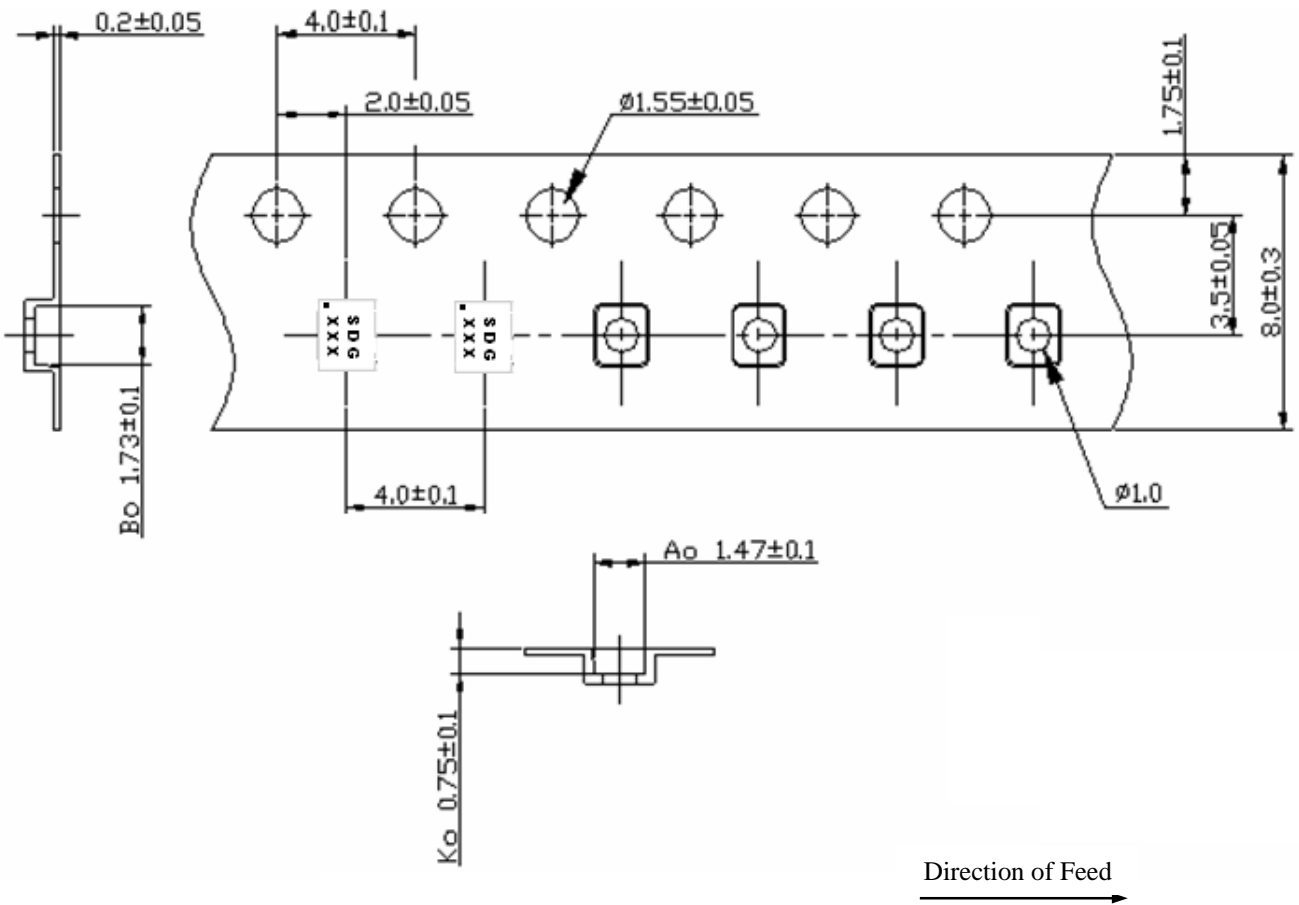
**F. PACKING:**

**1. REEL DIMENSION**

(Please refer to FR-75D10 for packing quantity)



**2. TAPE DIMENSION**



Direction of Feed



**G. RECOMMENDED REFLOW PROFILE :**

