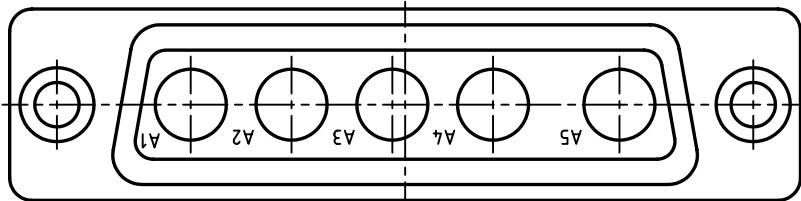
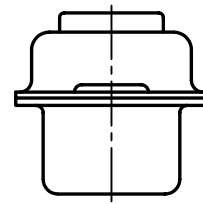
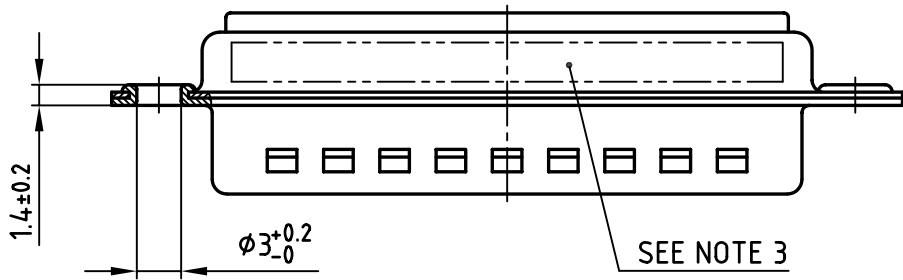
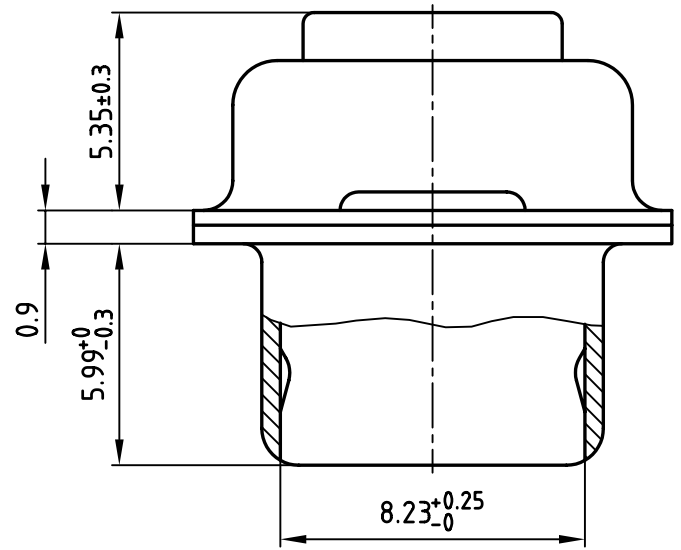
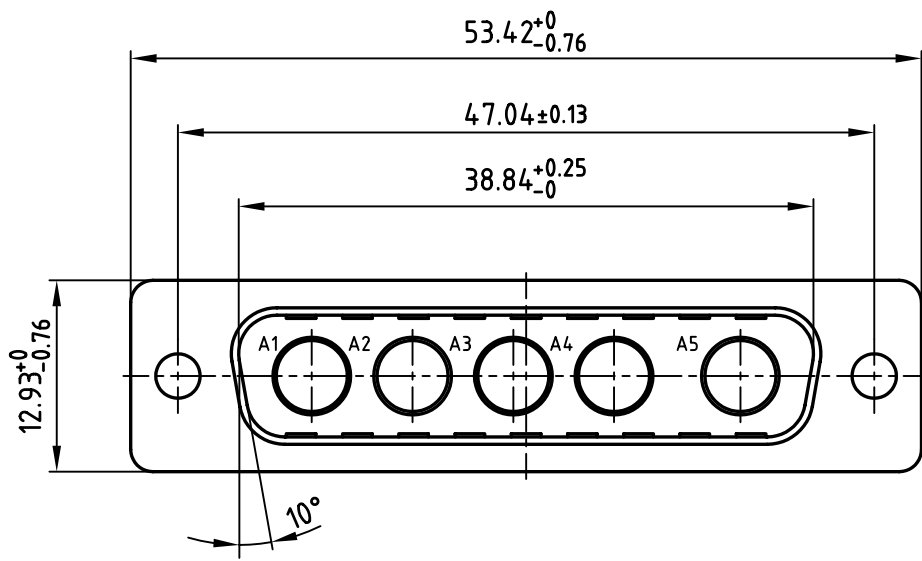


used for: D-SUB COMBINATION

5:1



Directive 2002/95/EC
„RoHS“
Compliant

NOTES:

- METALSHELLS: STEEL; TIN PLATED
- INSULATOR: PBT GF, UL 94 V-0; GREEN
- CONNECTOR IS PART MARKED: PART NO. CONEC ABC

THIS DRAWING MAY NOT BE COPIED OR REPRODUCED IN ANY WAY, AND MAY NOT BE PASSED ON TO A THIRD PARTY WITHOUT WRITTEN PERMISSION. OWNERSHIP AND COPYRIGHT OF CONEC GmbH DO NOT ALTER CAD DRAWING BY HAND

rev.	description	date	name

tolerance		
1998	date	
drawn	09.11.	name
appd.	09.11.	Mickenbecker
norm		
d-old		

scale:	2:1 (5:1)	
material:	SEE NOTES	
title:	D-SUB COMBINATION MALE 5W5P WITHOUT CONTACTS	
dwg no:	AutoCAD/REL.13	DIN-A
	13K1K6A	3
		sh:1/1
part no:	3005W5PXX99A10X	

