

1

2

3

4

5

6

7

A

B

C

D

E

F

G

H

A

B

C

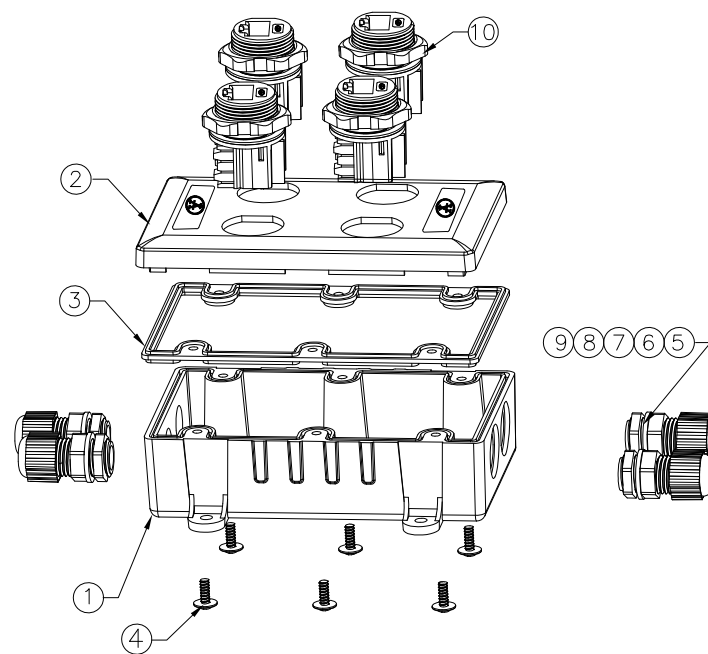
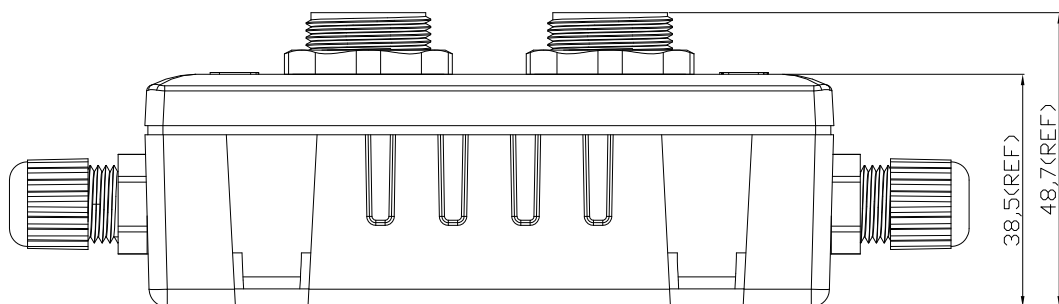
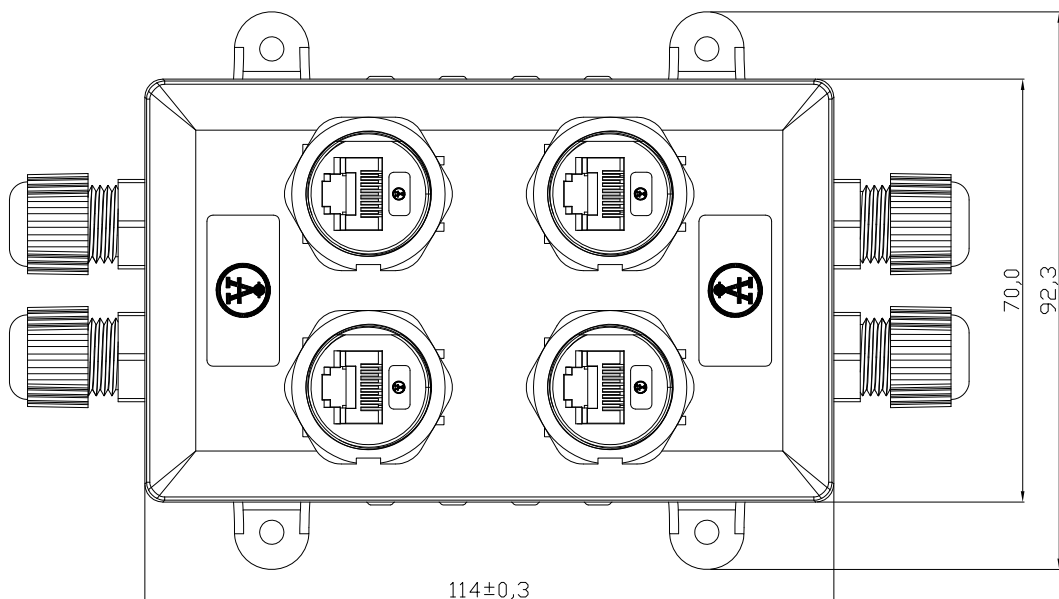
D

E

F

G

H

**NOTES:**

Waterproof Rate: IP67  
Cover: Black, ABS 94V-0

**RoHS compliant**  
Unit: mm

Scale	Free				Date	Name	Customer-No.	
TOLERANCE					Drawn	25.02.2014	Amy	
.X	±0.25				Approved	25.02.2014	Amy	
.XX	±0.10							
.XXX	±0.05							
DIM	TOL							
Angle	±1°							
		ⓐ	Drawn	25.02.2014	Amy	ASSMANN WSW-No. <b>A-RJ45-BOX-4</b>		
		Id.	Modification	Date	Name			
						Drawing-No. <b>ASS 6269 CO</b>		rev00
						Replace		Sheet

1

2

3

4

5

6

7