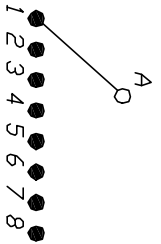
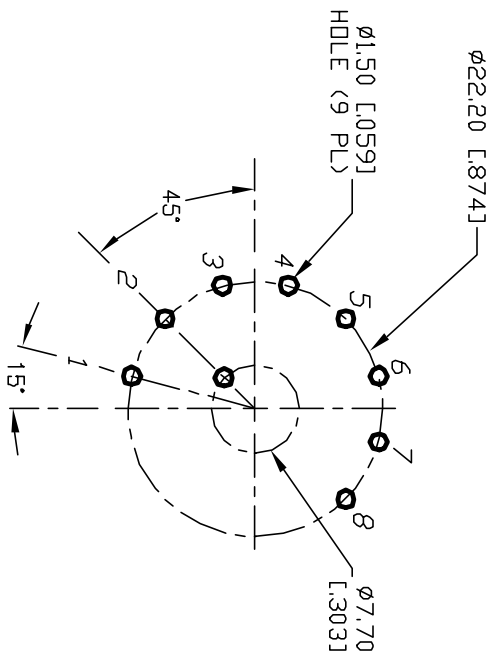


NOTES:

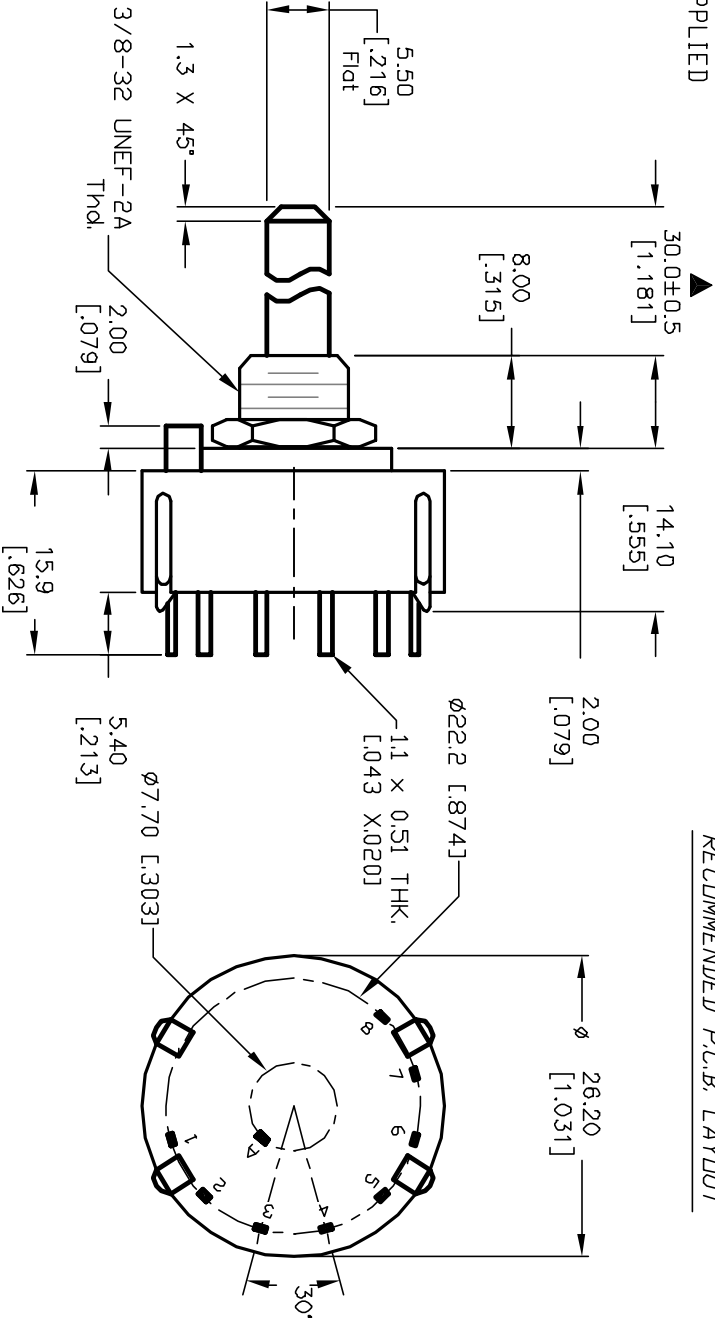
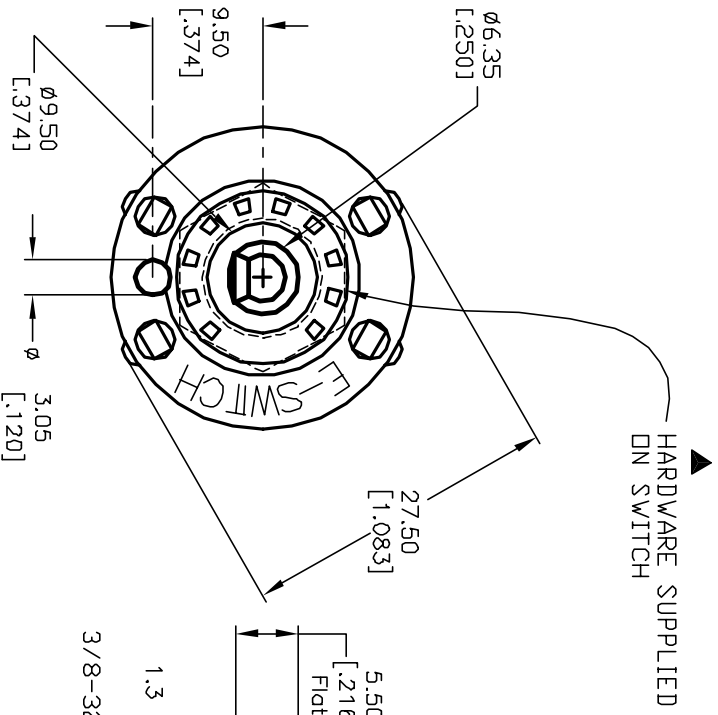
1. ALL DIMENSION IN MM [INCH]
2. GENERAL TOLERANCE: X.X=±0.4
X.XXX=±0.25
3. TERM. NOS. FOR REF. ONLY
4. CONTACT RATING SWITCHING: 150mA, 250V AC/DC
350mA, 110V AC/DC
5. OPERATING FORCE: 425±100 CM/STANDARD
6. OPERATING TEMP: -30° to 85°C
7. CIRCUIT SP: 8 POSITIONS, 30° INDEX.
8. DIELECTRIC STRENGTH: 1000V RMS min.@Sea Level
9. DESIGNATE MAJOR DIMENSIONS
10. TIMING: BBM (Non-Shorting) Break Before Make.
11. HARDWARE SUPPLIED ON SWITCH- SEE BELOW
STOP RING, LOCKWASHER, & HEXNUT



CONTACT CONFIGURATION
(SEE NOTE 10)



RECOMMENDED P.C.B. LAYOUT



B		12821	REV DESC PER NEW CATALOG	2/28/03	CJB	TITLE	KC-18-A-(30.0mm) 01-N-P-S		
A		11512	RELEASED FOR PRODUCTION	5/30/01	CJB	SCALE	1.5:1	DATE	5/30/01
REV.		ECN No.	DESCRIPTION	DATE	CHKD	DR	CJB	DWG	G530163
THE INFORMATION CONTAINED IN THIS DOCUMENT IS PROPRIETARY TO E-SWITCH AND IS NOT TO BE COPIED OR TRANSFERRED						REV	B		

E-SWITCH®