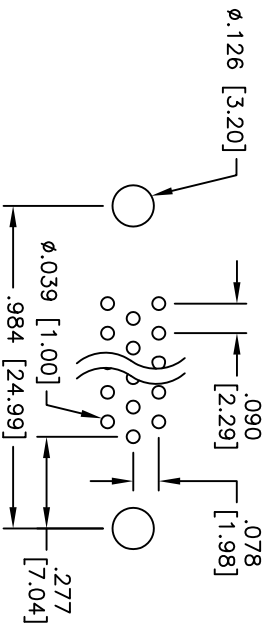
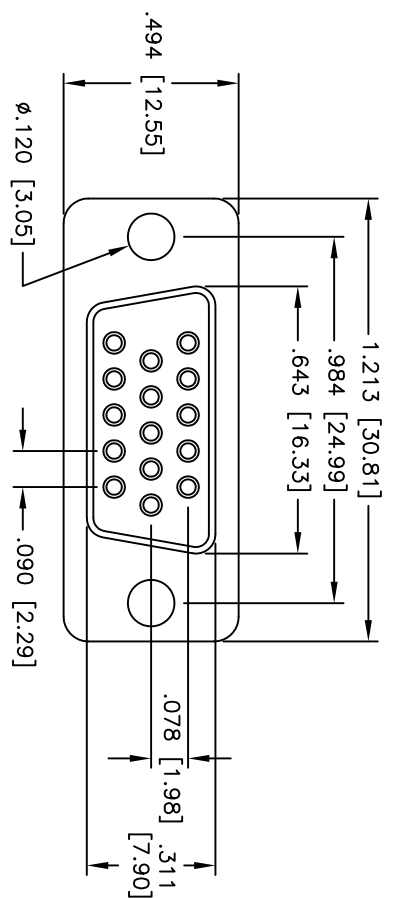
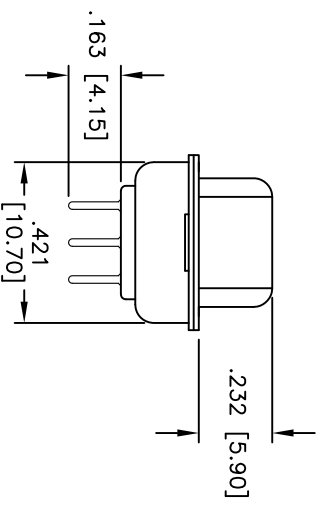
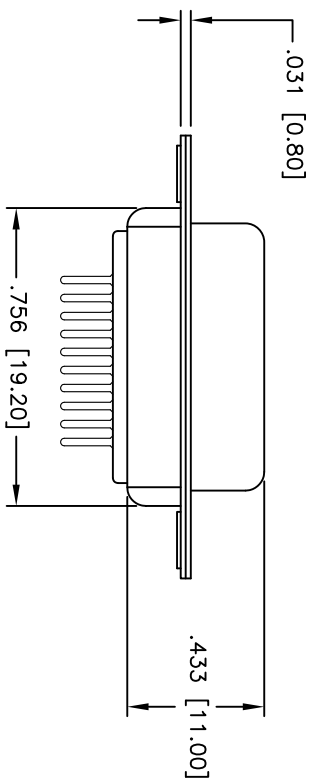


Rev	AWO #	Description	Date	Appr
-		RELEASED	5/5/05	

APPROVED: _____
 DATE: _____ TITLE: _____



PCB LAYOUT



SPECIFICATIONS:

Material: Insulator: PBT, glass reinforced, rated UL 94V-0
 Insulator color: Blue
 Contacts: Phosphor Bronze
 Shell: Steel, Tin plated
 Plating: Gold flash over Nickel underplate overall
 Electrical: Operating voltage: 250 VAC max
 Current rating: 5 Amps max
 Contact resistance: 20 mohms max
 Insulation resistance: 5,000 Mohms min
 Dielectric withstanding voltage: 1,000 VAC for 1 minute
 Temperature Rating: Operating temperature: -65°C to +125°C
 Environmental: Lead free, RoHS compliant
 Recommended soldering temp: 235°C for 5 seconds



ADAM TECH

909 Rahway Avenue, Union, NJ 07083
 Phone: 908-687-5000 Fax: 908-687-5710

TITLE: 15 POS. HIGH DENSITY D-SUB SOCKET
 PCB TAILS, .120 [3.05] MOUNTING HOLES

UNLESS OTHERWISE SPECIFIED ALL DIMENSIONS ARE INCHES [MM]	
TOLERANCES: EXCEPT AS NOTED	
INCHES	HOLDS
.X ± .10	Ø.X
.XX ± .020	Ø.XXX
.XXX ± .015	Ø.XXX
APPROVALS	DATE
DRAWN SS	5/5/05
CHECKED	
APPROVED	

SIZE X	PART NO. HDT15-ST-BU	REV.
REF:	SCALE: NTS	SHEET 1 OF 1