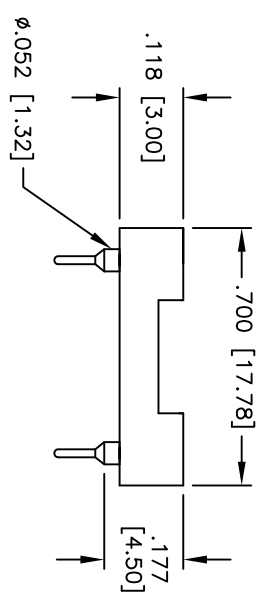
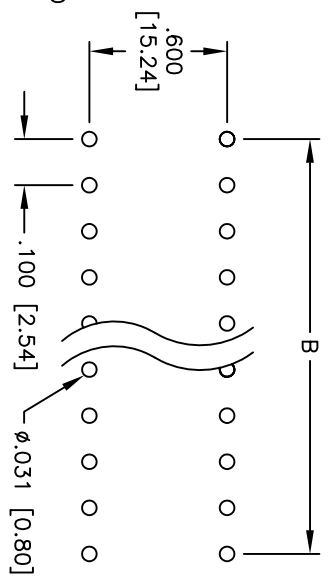
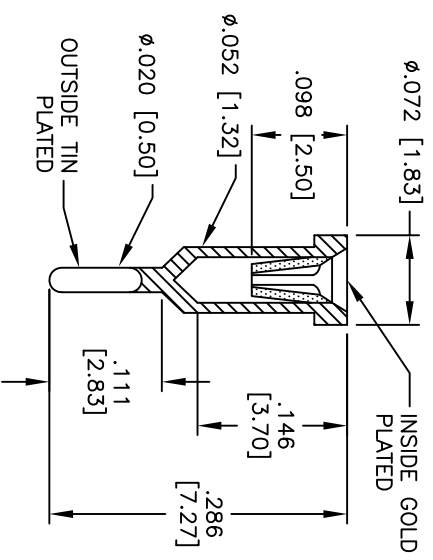
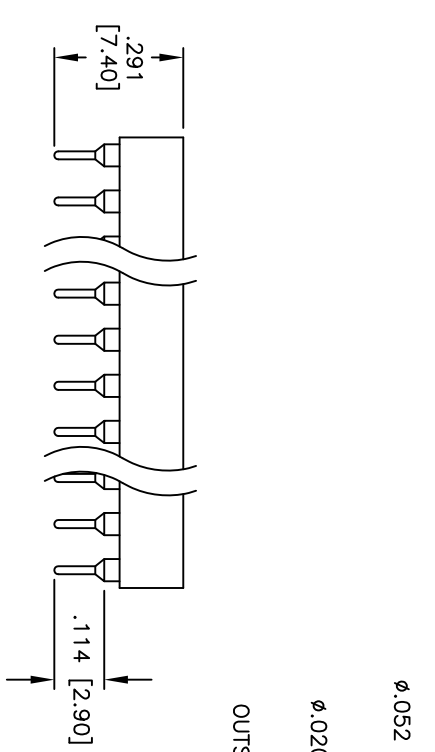
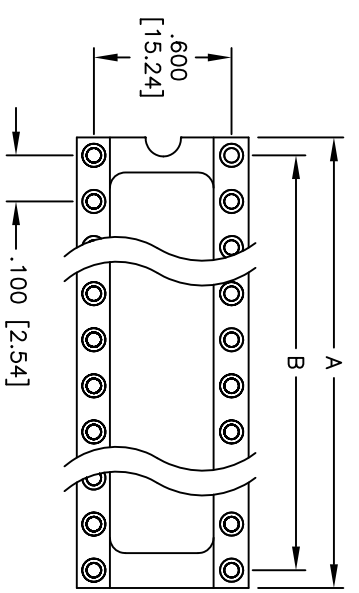


Rev	AWO #	Description	Date	Appr
-		RELEASED	9/10/10	

APPROVED: _____
 DATE: _____ TITLE: _____



SPECIFICATIONS:

Material: Insulator: PBT, Glass reinforced, rated UL 94V-0
 Insulator color: Black
 Contacts: Phosphor Bronze
 Plating: Gold over Nickel underplate inner contacts, Tin over Copper underplate overall outer sleeve
 Electrical: Operating voltage: 250 VAC max
 Current rating: 1 Amp max
 Contact resistance: 30 mohms max initial
 Insulation resistance: 1,000 Mohms min
 Dielectric withstanding voltage: 500 VAC for 1 minute
 Temperature Rating: Operating temperature: -55°C to +105°C
 Environmental: Lead free, RoHS compliant
 Recommended soldering temp: 235°C for 5 seconds

Positions: 24, 28, & 40
 A = .100 [2.54] x No. of Positions per Row
 B = .100 [2.54] x No. of Spaces per Row

UNLESS OTHERWISE SPECIFIED
 ALL DIMENSIONS ARE INCHES [MM]
 TOLERANCES: EXCEPT AS NOTED

INCHES	HOLES
.X ± .10	ØXX ± .10
.XX ± .020	ØXXX ± .015
.XXX ± .015	ØXXX ± .010

APPROVALS

DATE	DATE
9/10/10	9/10/10

ADAM TECH
 909 Railway Avenue, Union, NJ 07083
 Phone: 908-687-5000 Fax: 908-687-5710

TITLE: SCREW MACHINE IC SOCKET
 .600" ROW SPACING, WITHOUT BAR

DRAWN	AY	9/10/10	SIZE	PART NO.	ICM-6XX-1-GT-1B	REV.
CHECKED	VW	9/10/10	X			
APPROVED				S00007T	SCALE: NTS	SHEET 1 OF 1

