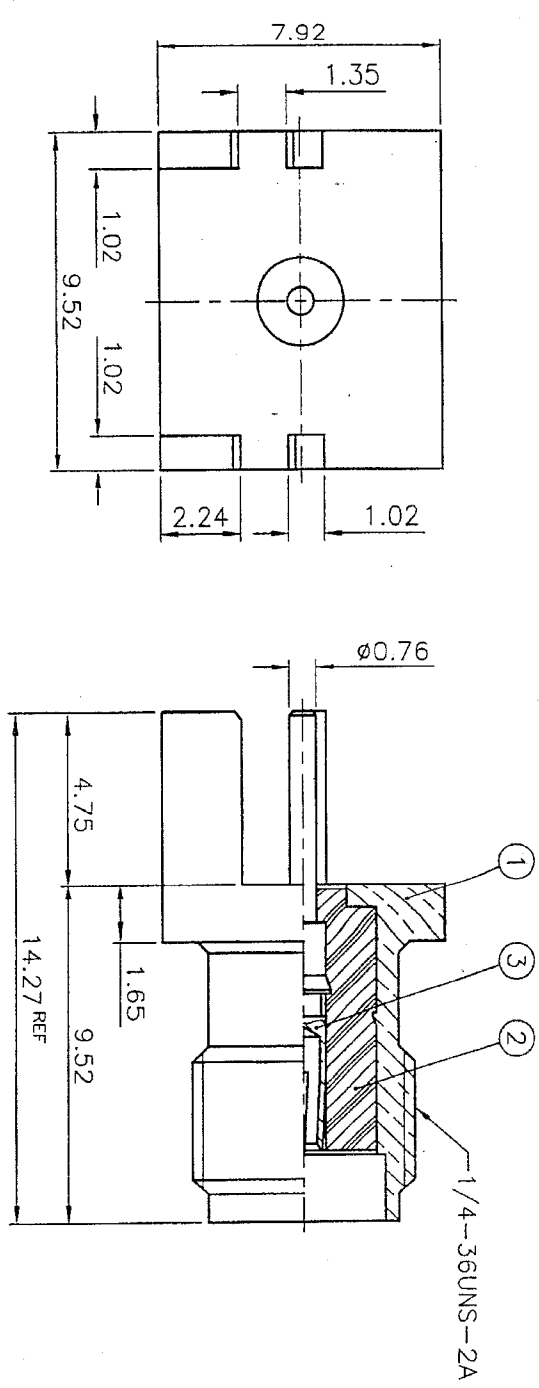


APPROVED: _____
 DATE: _____ TITLE: _____

Rev	AWO #	Description	Date	Appr
-		RELEASED	11/11/04	SS



- Notes:
1. Brass per QQ-B-626
 2. Gold plated 30u" min over nickel plated 70 min thick over copper strike
 3. Gold plated 30u" min over nickel plated 70 min thick over copper strike
 4. Teflon MIL-P-19468
 5. Beryllium copper per QQ-C-530

NO.	DESCRIPTION	MATERIAL	Q'TY	FINISH
3	CONTACT PIN	NOTE 5	1	NOTE 3
2	INSULATOR	NOTE 4	1	WHITE
1	BODY	NOTE 1	1	NOTE 2

UNLESS OTHERWISE SPECIFIED
 ALL DIMENSIONS ARE IN INCHES
 TOLERANCES: EXCEPT AS NOTED

INCHES: .X ± .10 .XX ± .015
 .XX ± .020 .XXX ± .015
 .XXX ± .015

HOLES: ØX ± .10
 ØXXX ± .015

APPROVALS: _____ DATE: 11/11/04

DRAWN: SS

CHECKED: _____

APPROVED: _____

ADAM TECH
 909 Rahway Avenue, Union, NJ 07083
 Phone: 908-687-5000 Fax: 908-687-0214

SMA END LAUNCH JACK

TITLE: _____

REF: _____

SIZE: _____ PART NO: _____

SCALE: NTS SHEET 1 OF 1