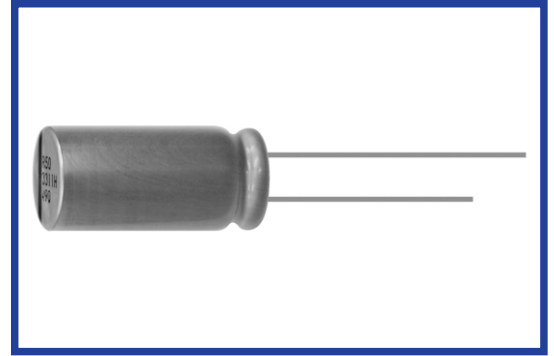


**RX50 SERIES**

Load Life : 150°C 1000 hours

◆FEATURES

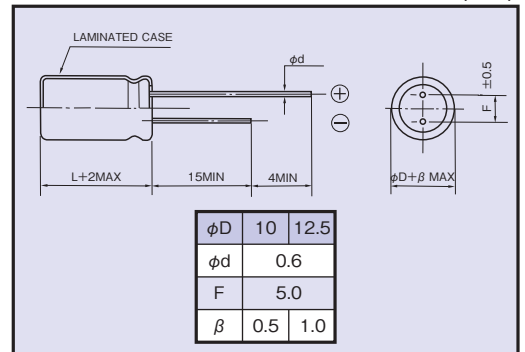
- Solution for high temperature application such as automobile electronics.
- RoHS compliance.



◆SPECIFICATIONS

Items	Characteristics	
Category Temperature Range	-40~+150°C	
Rated Voltage Range	10~63Vdc	
Capacitance Tolerance	±20% (20°C, 120Hz)	
Leakage Current(MAX)	I=0.01CV or 3μA whichever is greater. (After 5 minutes application of rated voltage) I=Leakage Current(μA) C=Capacitance(μF) V=Rated Voltage(Vdc)	
(tanδ) Dissipation Factor(MAX)	Rated Voltage (Vdc)	(20°C, 120Hz)
	10 16 25 35 50 63	
	tanδ 0.20 0.16 0.14 0.12 0.12 0.11	
Endurance	After applying rated voltage with rated ripple current for 1000 hours at 150°C, the capacitors shall meet the following requirements.	
	Capacitance Change	Within ±30% of the initial value.
	Dissipation Factor	Not more than 300% of the specified value.
	Leakage Current	Not more than the specified value.
Low Temperature Stability Impedance Ratio(MAX)	Rated Voltage (Vdc)	(120Hz)
	10 16 25 35 50 63	
	Z(-25°C) / Z(20°C)	2 2 2 2 2 2
	Z(-40°C) / Z(20°C)	4 4 4 4 4 4

◆DIMENSIONS (mm)



◆MULTIPLIER FOR RIPPLE CURRENT

Frequency (Hz)	60(50)	120	1k	10k	100k≤	
Coefficient	47~220μF	0.30	0.40	0.75	0.92	1.00
	330~1000μF	0.40	0.50	0.80	0.95	1.00

◆OPTION

Standard item is blank.

◆STANDARD SIZE

Rated Voltage (Vdc)	Capacitance (μF)	Size φD×L(mm)	Rated ripple current (mA r.m.s./150°C, 100kHz)
10	470	10×16	370
	1000	12.5×20	600
16	330	10×16	370
	470	10×20	460
	1000	12.5×25	750
25	220	10×16	370
	330	10×20	460
	470	12.5×20	600
35	100	10×16	370
	220	10×20	460
	330	12.5×20	600
	470	12.5×25	750
50	100	10×20	300
	220	12.5×20	400
	330	12.5×25	500
63	47	10×16	220
	100	12.5×20	350

◆PART NUMBER

□□□
RX50
□□□□□
M
□□□
□□
D×L  
 Rated Voltage    Series    Capacitance    Capacitance Tolerance    Option    Lead Forming    Case Size