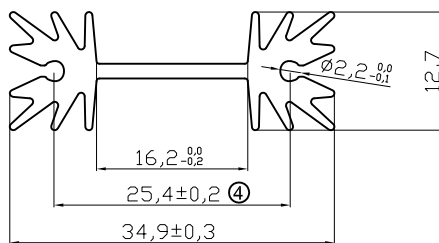
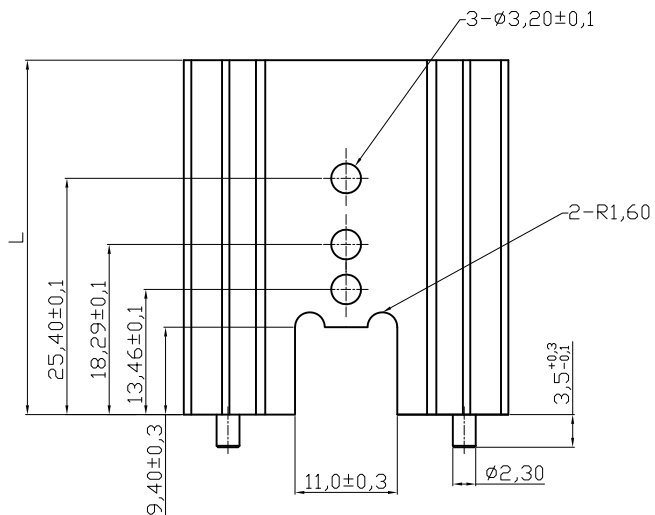


RoHS compliant



Material : AL 6063-T5 BL-005
 PIN: CRS Tin Plated
 Finished: Black anozed
 Unmarked round angle R is 5mm.

Option	L	Thermal resistance(K/W)
V7477W	25.4	14
V7477X	38.1	11
V7477Y	50.8	9
V7477Z	63.5	7

Scale	FREE					Date	Name	Customer-No.		
TOLERANCE						Drawn	09.05.2011	Dean		
X.	±X									
X.X	±X	④	Modify Dimention	09.05.2011	Jason	Approved	20.07.2010	Andy		
UNIT	±0.2	③	Modify Dimention	20.07.2010	Alex					
DIM	TOL	②	Modify drawing layout	08.03.2010	Dean					
X.°	±X°									
X.X°	±X°	①	Drawn	11.08.2009	Dean					
Angle	TOL	Id.	Modification	Date	Name					

ASSMANN WSW-No.		V7477x
Drawing-No.		ASS 0866 HS
Replace		rev04
		Sheet

