

ET6122MTC DATASHEET

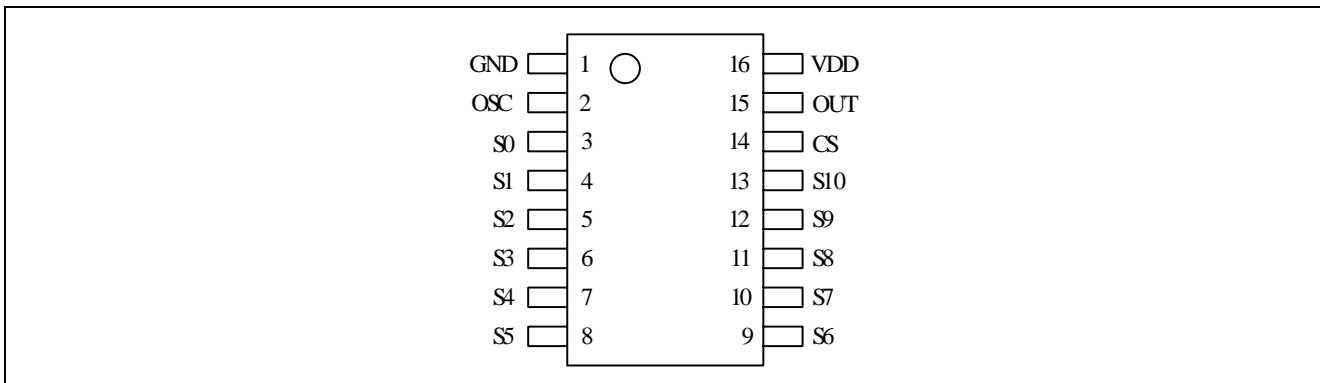
General Description

ET6122MTC is an infrared remote controller integrated circuit, using an external resistor of RC oscillator, built-in infrared transmitter driven, mainly for television sets, tape recorders, stereo equipment, multimedia systems and personal computers.

Features

- CMOS manufacturing process
- Low voltage operation
- RC oscillator external resistor
- Built-in infrared transmitter driven
- 11 group user code
- Package:SOP16(ET6122MTC)

Pin Configuration

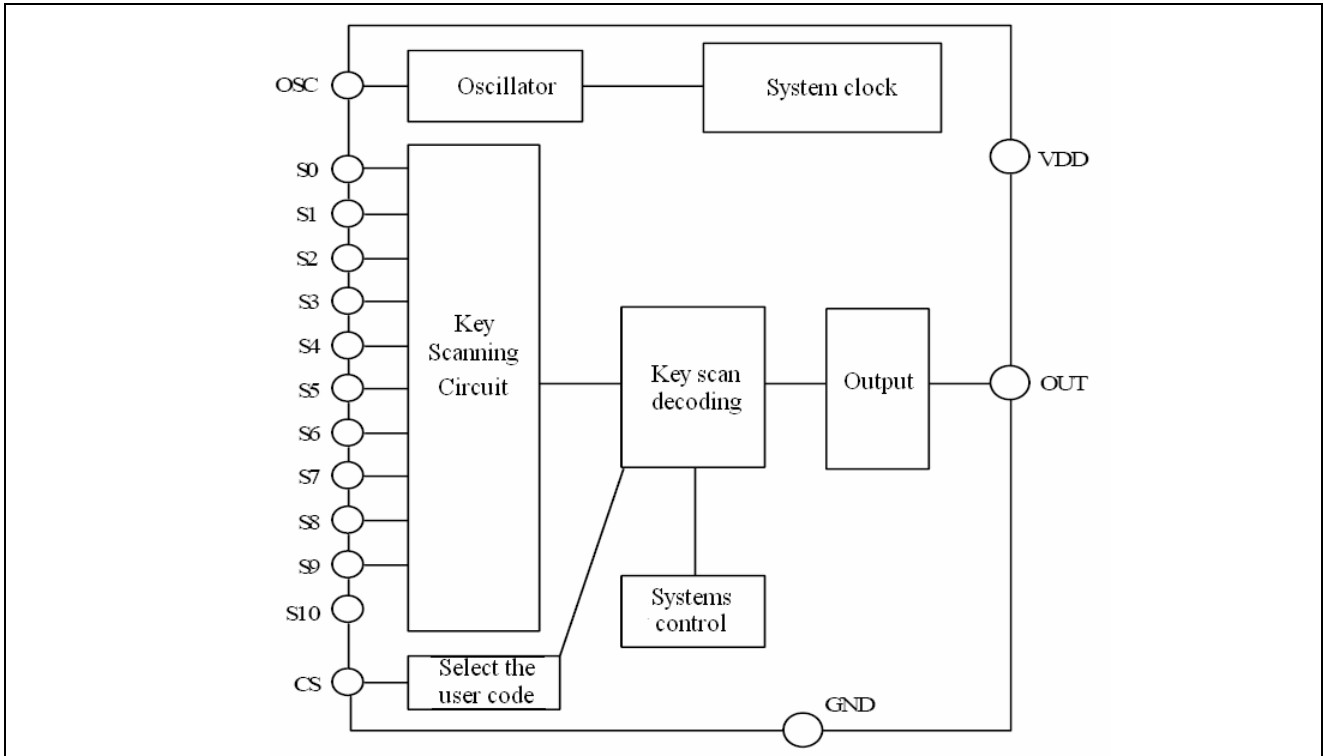


Pin Function

Pin	Smybol	I/O	Function
1	GND	GND	Negative Power supply
2	OSC	O	Oscillator Pin
3~13	S0~S10	I/O	Key scan input and output pin
14	CS	I	Select the user code
15	OUT	O	Code output Pin
16	VDD	VDD	Positive Power supply

ET6122MTC

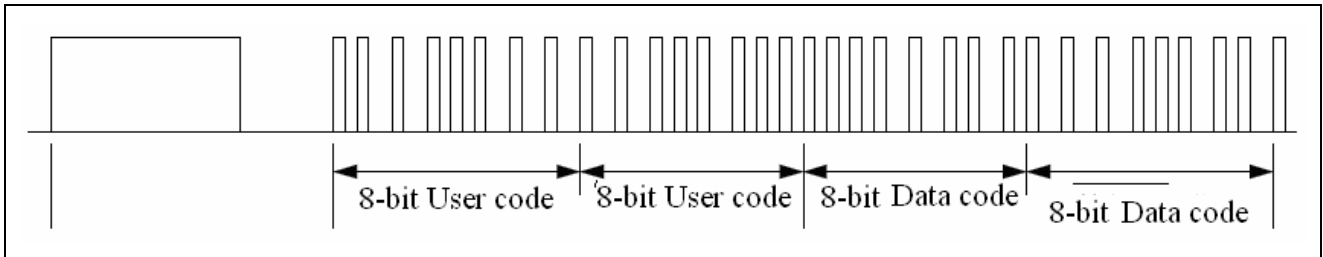
Block Diagram



Functional Description

1. Output encoding format

OUT pin code format is compatible with 6122, as shown below. Data code range 00 ~ 1F and 40 ~ 5F. Application specific reference circuit diagram.



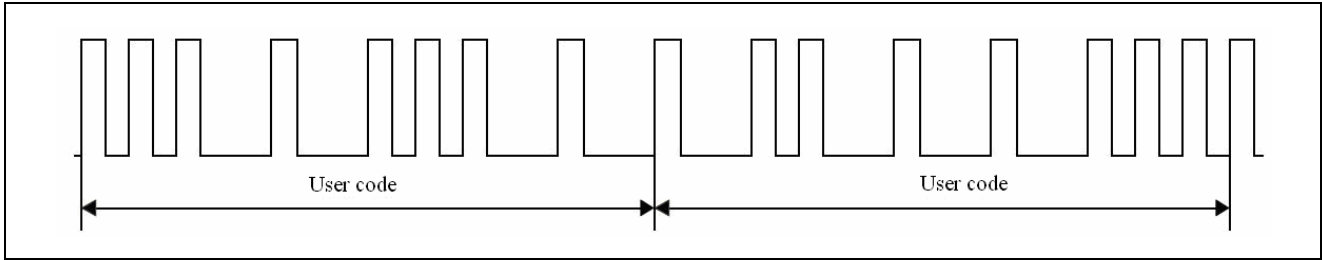
2. Select the user code

When S0 ~ S10 (3 ~ 13 feet) to connect to the CS (14 feet), you can choose a user code, correspondence in the following table. Application specific reference circuit diagram.

14 then-	3	4	5	6	7	8	9	10	11	12	13
User code	40BF	08E6	10EF	08F7	01DE	01FA	01F6	02F9	208D	4877	01BE

ET6122MTC

Below is a set of user code waveform, corresponding to the user code is CC1D.



Absolute Maximum Ratings (Ta=25°C)

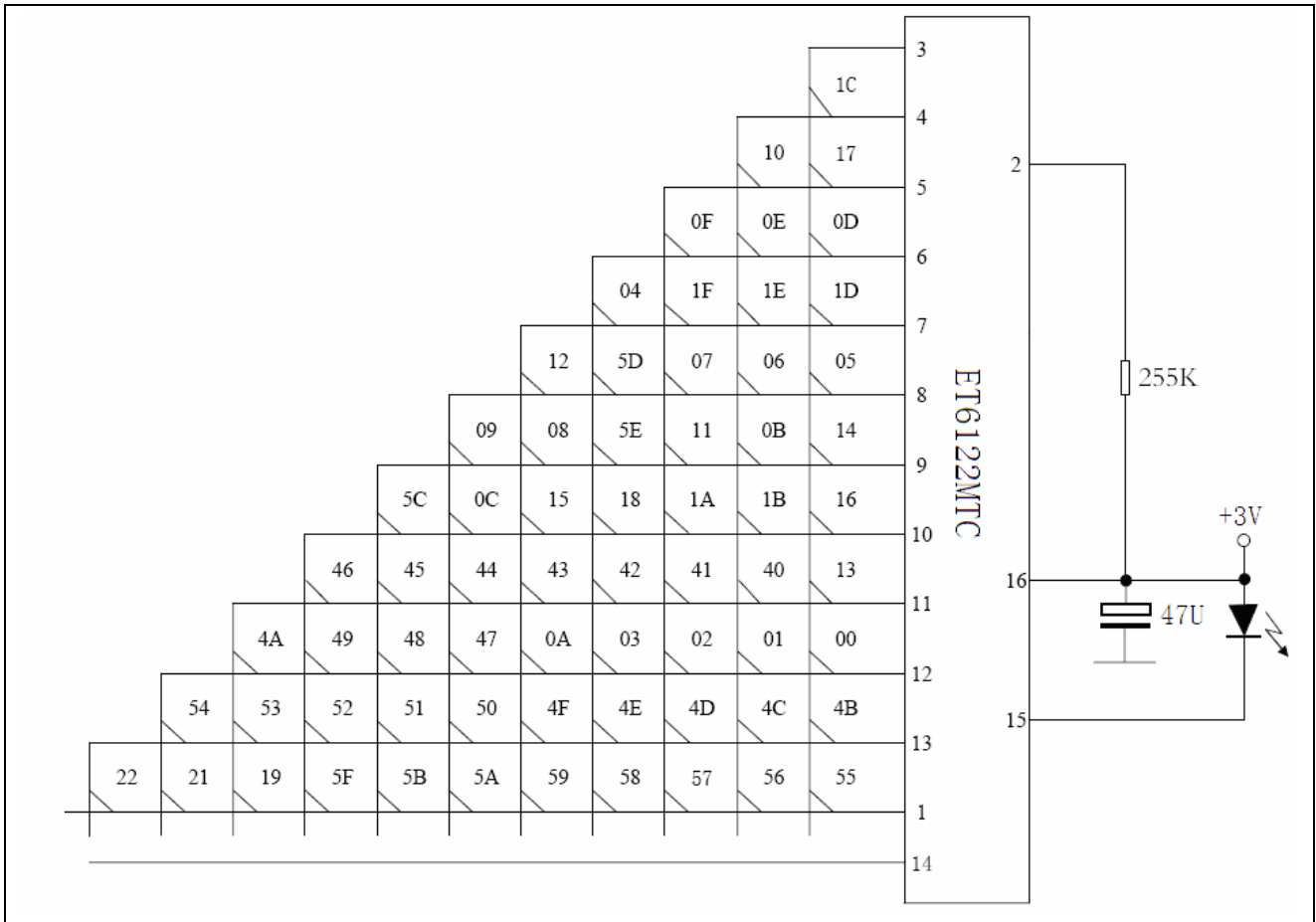
Parameter	Symbol	Test condition	Range	Unit
Supply voltage	V _{DD}		-0.3~5.0	V
Input Voltage	V _{IN}	V _{DD} =3V	-0.5~V _{DD} +0.5	V
Output Voltage	V _{OUT}	V _{DD} =3V	-0.5~V _{DD} +0.5	V
Operating Temperature	T _{opr}	V _{DD} =3V	-20~70	°C
Storage Temperature	T _{stg}		-40~125	°C

Electrical Characteristics (Ta=25°C)

Parameter	Symbol	Min	Typ	Max	Unit	Test condition
Supply Voltage	V _{DD}	2.2	3.0	3.5	V	
Operating Current	I _{DD}	—	—	1	mA	V _{DD} =3V, Freq=455kHz
Standby Current	I _{DS}		1.5	3	μA	V _{DD} =3V, No buttons
Oscillator frequency	F _{osc}		455		KHz	ROSC=255KΩ
Drive current	I _{ol}		180		mA	V _{DD} =3V, VOL=0.3V

ET6122MTC

Application Circuits



Package Dimension

SOP16

