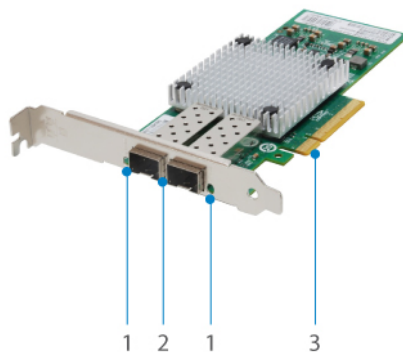




GNC-0202 [redacted] [redacted]: 1

## 10 Gigabit Fiber PCIe Network Card, Dual SFP Plus, PCIe x8

The LevelOne GNC-0202 Gigabit network card facilitates high-speed connectivity within a fiber-optic network, supporting Dual SFP+ Connectivity and Fibre Channel over Ethernet (FCoE). Wake-on-LAN functionality allows remote start-up and shutdown, with iSCSI remote boot providing further flexibility. GNC-0202 also features an Intel PROSet Utility for Windows Device Manager as well as providing advanced load balancing across multiple CPUs, and is compatible with most network operating systems.



- 1. LED Indicator (Link / Activity)
- 2. Fiber Ports
- 3. PCI Slot

### Key Features

- [redacted] [redacted] [redacted] [redacted] Wake-on-LAN [redacted]
- Supports Dual SFP+ Connectivity
- Load balancing across multiple CPUs
- Supports iSCSI remote boot
- Supports Fibre Channel over Ethernet (FCoE)
- Supports most network operating systems (NOS)
- Intel® PROSet Utility for Windows\* Device Manager
- IEEE 1588 and 802.1as (Time Sync)



### System Specifications

#### Standards & Protocols:

- IEEE 802.3 2005\* flow control support
- IEEE 802.1Q Virtual LANs (VLANs)
- IEEE 802.1p Quality of Service (QoS)
- IEEE 802.3ad Link Aggregation Control Protocol (LACP)



#### Connectors and Cabling:

2 x 10G SFP+ Port  
PCI Express\* v2.0 (5.0 GT/s) x8/x4/x2/x1

#### Indicator:

Link/Activity

#### Power:

6.5w

### Features

#### General:

128 Tx and 128 Rx queues, Receive Side Coalescing (RSC), low latency interrupts, Intel® Ethernet Flow Director, Intel® Virtualization Technology for Connectivity (Intel® VT-c) (VMDq, SR-IOV), FCoE CRC offload, FCoE direct data placement

#### Management:

IPMI pass-through via SMBus or NC-SI, iSCSI boot, WoL, PXE remote boot, VLAN filtering

### Performance

#### Jumbo Frame (K):

9.5 K

### Environment

#### Temperature (°C):

Operating: 0 °C~55 °C (32 °F~131 °F)  
Storage: -40 °C~70 °C (-40 °F~158 °F)

#### Humidity (Non-condensing):

Operating: 5% ~ 95%  
Storage: 5% ~ 95%

### Physical Specifications

#### Dimensions (W x D x H mm):

165 x 69 x 17 mm

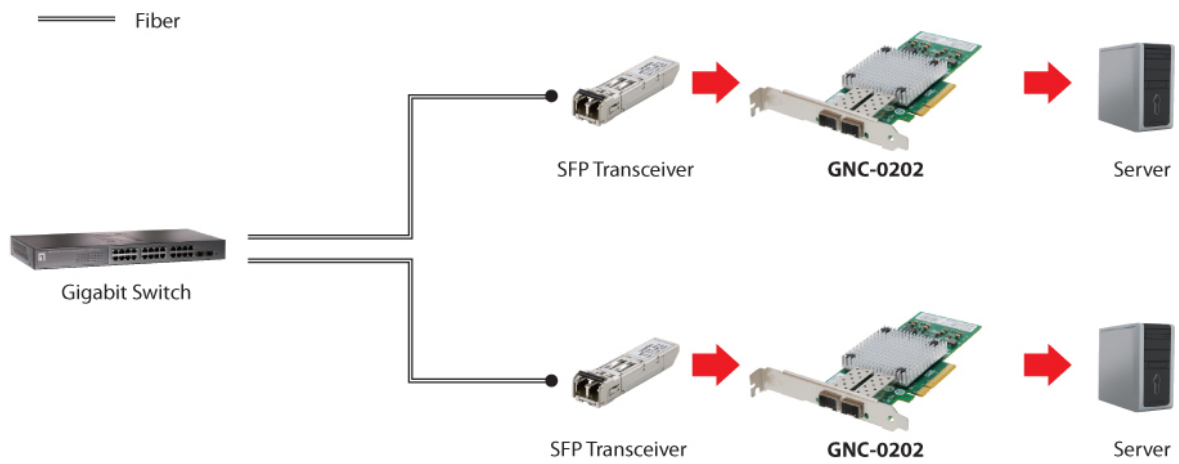
#### Weight (g):

110g

### Others

#### Operation Systems:

Windows Vista/7/8/8.1  
Windows Server 2003/2008/2008 R2/2012/2012 R2  
Linux kernel 2.6.30 or greater (x86\_64) (w/ SR-IOV support)  
FreeBSD 7.2 or later  
Linux RHEL 5.6/6.x  
Linux SLES 10 SP4/11 SP1  
OS Independent  
DOS ODI/NDIS 2  
EFI 1.1  
UEFI 2.1  
Vmware ESX 4.02  
VMware Workstation



---

## Order Information

GNC-0202

---

## Package Contents

GNC-0202

Low Profile Bracket

Quick Installation Guide

Resource CD (User Manual, Driver)

No liability or responsibility for any errors or omissions in the content.  
Specifications are subject to change without notice.  
All mentioned brand names are registered trademarks and property of their owners.  
Copyright © Digital Data Communications GmbH, Germany. All Rights Reserved.