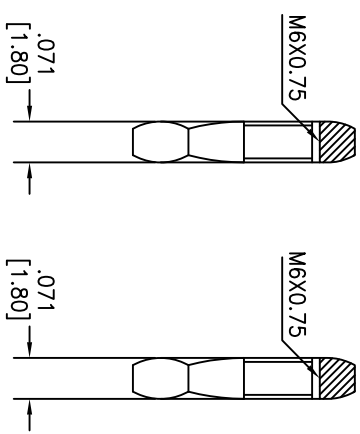
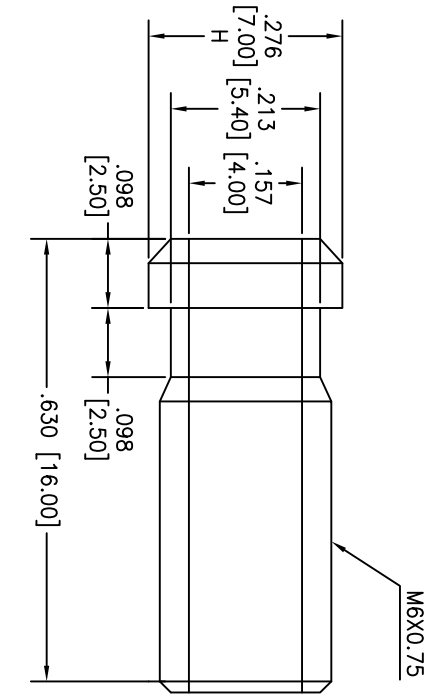


Rev	AWO #	Description	Date	Appr
-		RELEASED	3/11/11	

6 5 4 3 2 1

APPROVED: _____ TITLE: _____

DATE: _____



UNLESS OTHERWISE SPECIFIED
ALL DIMENSIONS ARE INCHES [MM]
TOLERANCES: EXCEPT AS NOTED
INCHES HOLES
.X ± .10 ØXX ± .10
.XX ± .020 ØXXX ± .015
.XXX ± .015 ØXXXX ± .010

APPROVALS

DRAWN	DY	DATE	3/11/11
CHECKED			
APPROVED			

ADAM TECH
909 Rahway Avenue, Union, NJ 07083
Phone: 908-687-5000 Fax: 908-687-5710

TITLE: SCREW

SPECIFICATIONS:
Material:
Body: Brass, Nickel plated
Nut: Brass, Nickel plated
Environmental:
Lead free, RoHS compliant.



A B C D

6 5 4 3 2 1

REV: -

SIZE: X

PART NO.: HDW-086

SCALE: NTS

SHEET 1 OF 1