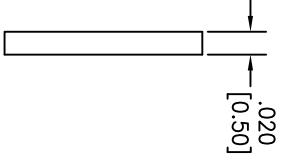
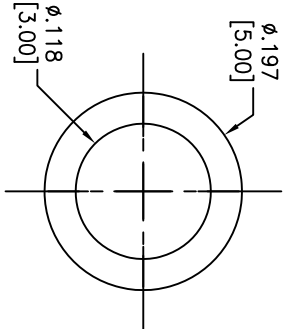
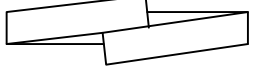
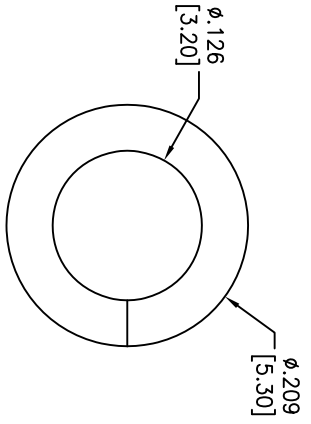
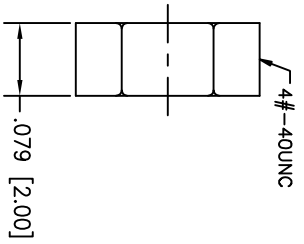
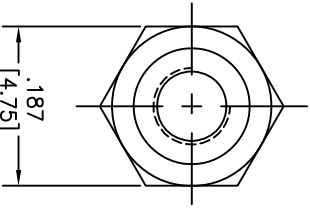
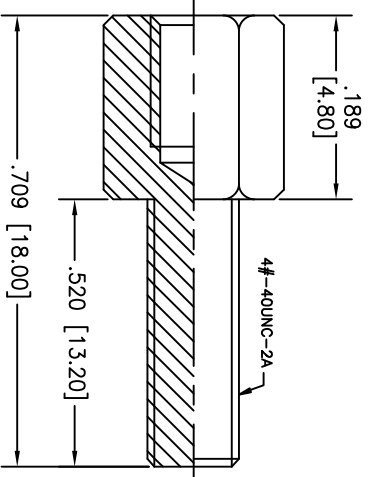
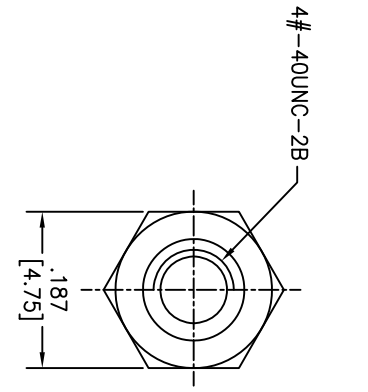


Rev	AWO #	Description	Date	Appr
-	11478	RELEASED	7/14/11	

APPROVED: \_\_\_\_\_  
 DATE: \_\_\_\_\_ TITLE: \_\_\_\_\_



Split Washer

Flat Washer

**SPECIFICATIONS:**

Material:  
 Screw: Copper, yellow chromate  
 Nut: Steel, Yellow chromate  
 Washer: Steel, Yellow chromate  
 Q'ty: Screwx2, Flat Washerx4,  
 Split Washerx2 & Nutx2 Each of 10pcs/Bog  
 Environmental:  
 Lead free, RoHS compliant.



UNLESS OTHERWISE SPECIFIED  
 ALL DIMENSIONS ARE INCHES [MM]  
 TOLERANCES: EXCEPT AS NOTED  
 INCHES HOLES  
 .X ± .10 Ø.X ± .10  
 .XX ± .020 Ø.XXX ± .015  
 .XXX ± .015 Ø.XXXX ± .010

**ADAM TECH**  
 909 Ratway Avenue, Union, NJ 07083  
 Phone: 908-687-5000 Fax: 908-687-5710

APPROVALS		DATE
DRAWN	DY	7/14/11
CHECKED		
APPROVED		

TITLE	DVH CONNECTOR THUMDSCREW		
SIZE	PART NO.	REV.	
X	HDW-088		
REF:	S00084T	SCALE:	NTS
		SHEET	1 OF 1

6

5

4

3

2

1