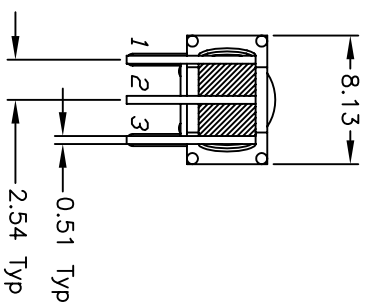
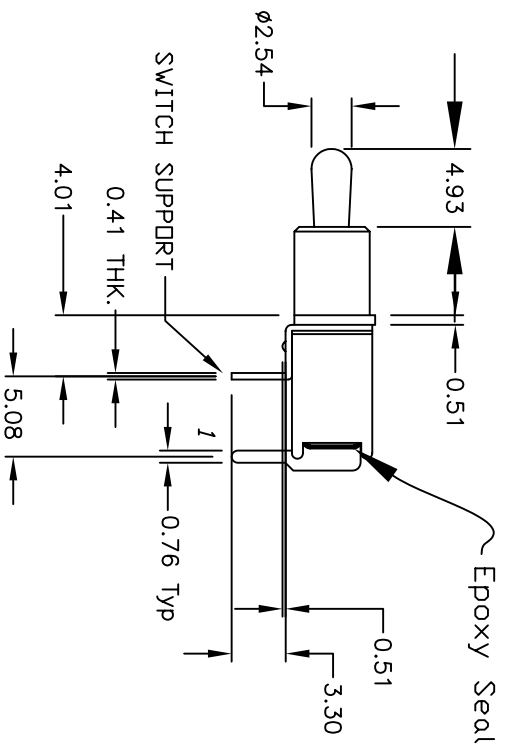
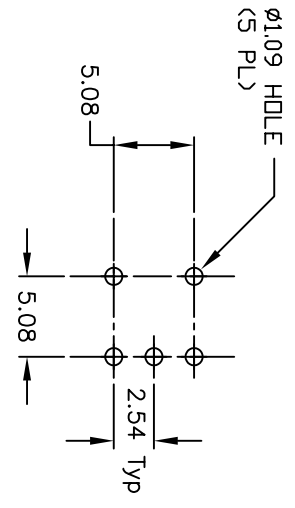
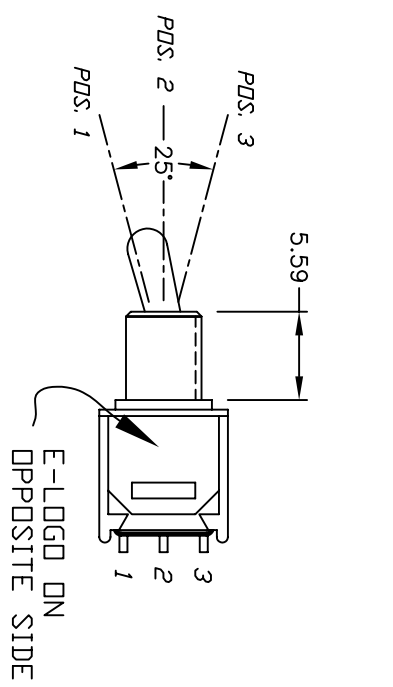
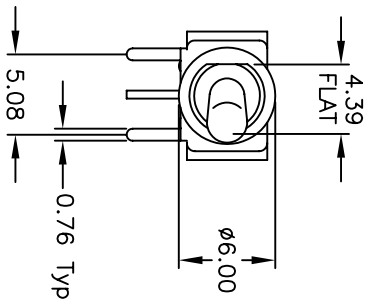


SWITCH FUNCTION		
POS. 1	POS. 2	POS. 3
DN	NONE	DN
2-3	DPEN	2-1



- NOTES:
1. ALL DIMENSIONS IN MM
  2. GENERAL TOLERANCE: X.X=±0.4  
X.XX=±0.25
  3. TERM. NOS. FOR REF. ONLY
  4. CONTACT RATING: 3A@ 120VAC. OR 28VDC:  
1A@ 250VAC.
  5. FIXED TERMINAL & MOVING CONTACT: Cu alloy w/ Silver plate
  6. ELECTRIC LIFE: 30,000 make-and-break cycles  
at full load.
  7. INSULATION RESISTANCE: 1,000 M ohm min.
  8. DIELECTRIC STRENGTH: 1,000 V RMS @sea level.
  9. OPERATING TEMP.: -30°C to 85°C
  10. 2002/95/EC (ROHS) COMPLIANT

C	16561	CHANGED 5.33 TO 4.93	10/23/06	TN
B	12325	REVISED AND REDRAWN	7/23/02	CJB
REV.	ECN No.	DESCRIPTION	DATE	CHKD

TITLE		SCALE		DATE		DR		DWG		REV	
200 MSP-1 T2 B2 M6 Q E		2:1		7/23/02		CJB		T211009		C	

