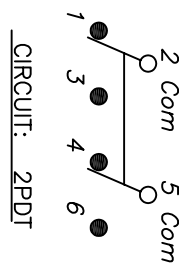


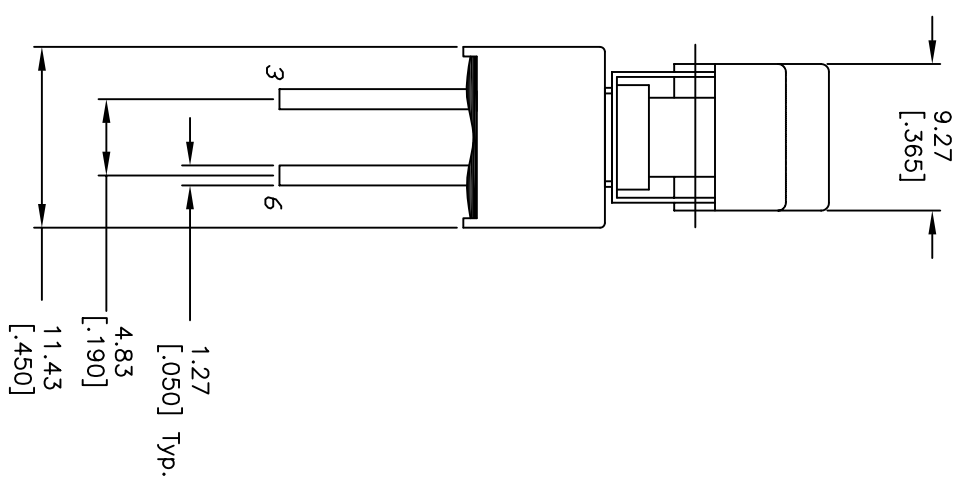
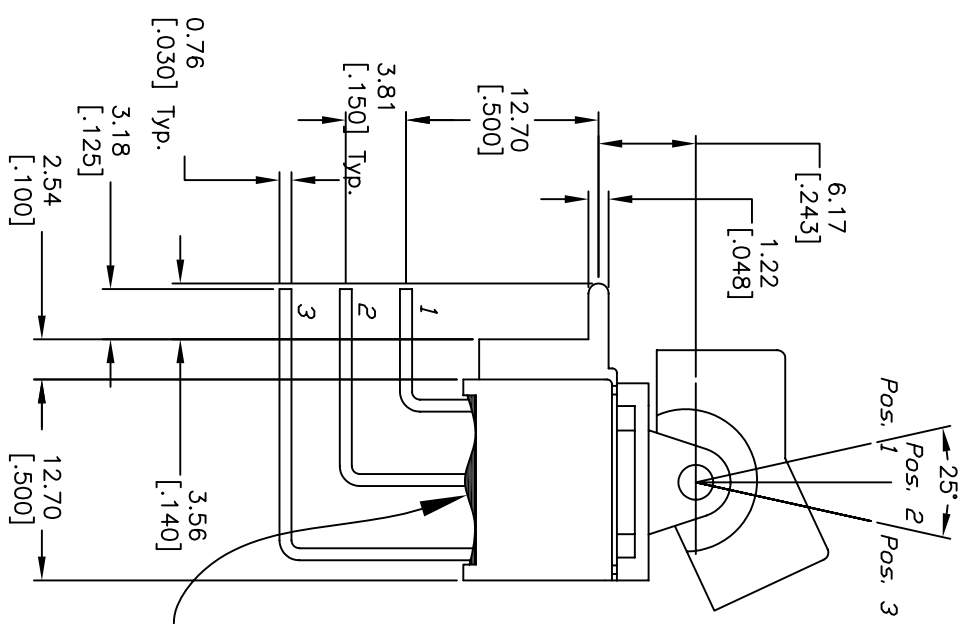
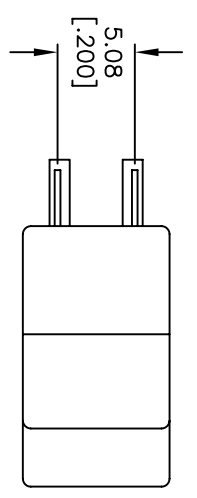
RECOMMENDED P.C.B. LAYOUT
NOT TO SCALE



SWITCH FUNCTION			
POS. 1	POS. 2	POS. 3	
DN	NONE	<DN>	
2-3, 5-6	N/A	2-1, 5-4	

NOTES: MOMENTARY=(ON)

- NOTES:
1. ALL DIMENSIONS IN MM [INCH]
 2. GENERAL TOLERANCE: X.X=±0.4 X:XX=±0.25
 3. TERM. NOS. FOR REFERENCE ONLY.
 4. RATING: 5A @120V AC or 28VDC 2A @250V AC
 5. FIXED TERMINAL/MOVING CONTACT: COPPER ALLOY W/SILVER PLATING
 6. ELECTRICAL LIFE: 30,000 make & break CYCLES @FULL LOAD.
 7. INSULATION RESISTANCE: 1000MEGA-OHMS min.
 8. DIELECTRIC STRENGTH: 1000V RMS@ SEA LEVEL
 9. OPERATING TEMPERATURE: -30°C to +85°C
 10. ROCKER MATERIAL: NYLON BLACK STD. (UL94HB)



Epoxy Seal Base

E-SWITCH®

REV. A	ECN NO. 15176	RELEASED	8/22/05	PH
DESCRIPTION		DATE	CHKD	

TITLE		SCALE	DATE	DR	DWG	REV
300A WDP-2 J1 BLK M7 RE		2:1	8/22/2005	PH	T301042	A

THE INFORMATION CONTAINED IN THIS DOCUMENT IS PROPRIETARY TO E-SWITCH AND IS NOT TO BE COPIED OR TRANSFERRED