



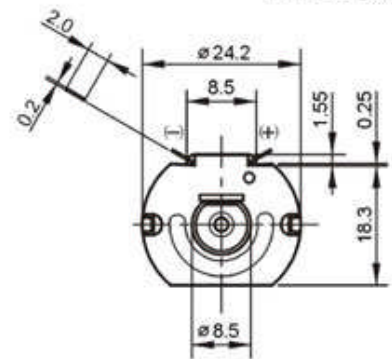
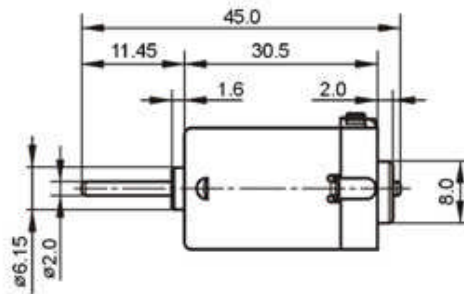
# TF280SC SERIES

Typical Applications : Automotive Products / Household Appliances

- Door Lock Actuator
- Hair Clipper

MODEL	VOLTAGE		NO LOAD		AT MAXIMUM EFFICIENCY			STALL	
	OPERATION RANGE	NORMAL	SPEED rpm	CURRENT A	SPEED rpm	CURRENT A	TORQUE mN-m g-cm	TORQUE mN-m g-cm	CURRENT A
TF280SC-16200	10-15	12V CONSTANT	10000	0.07	8800	0.31	2.45 25	21.6 220	2.15
TF280SC-18165	10-15	12V CONSTANT	12400	0.10	10700	0.51	3.43 35	25.5 260	3.40
TF280SC-4523	1.2-1.5	1.25V CONSTANT	9100	0.60	7300	2.50	2.65 27	13.7 140	10.2

DIRECTION OF ROTATION



UNIT: MILLIMETRES

**WEIGHT: 35g (APPROX)**



**TECO ELECTRIC CO., LTD.**

Workshop K, 15/F, Shield Industrial Centre, 84-92 Chai Wan Kok Street, Tsuen Wan, N.T., Hong Kong.

Tel: (852) 2405 2428 / 2405 4428

Fax: (852) 2405 4928