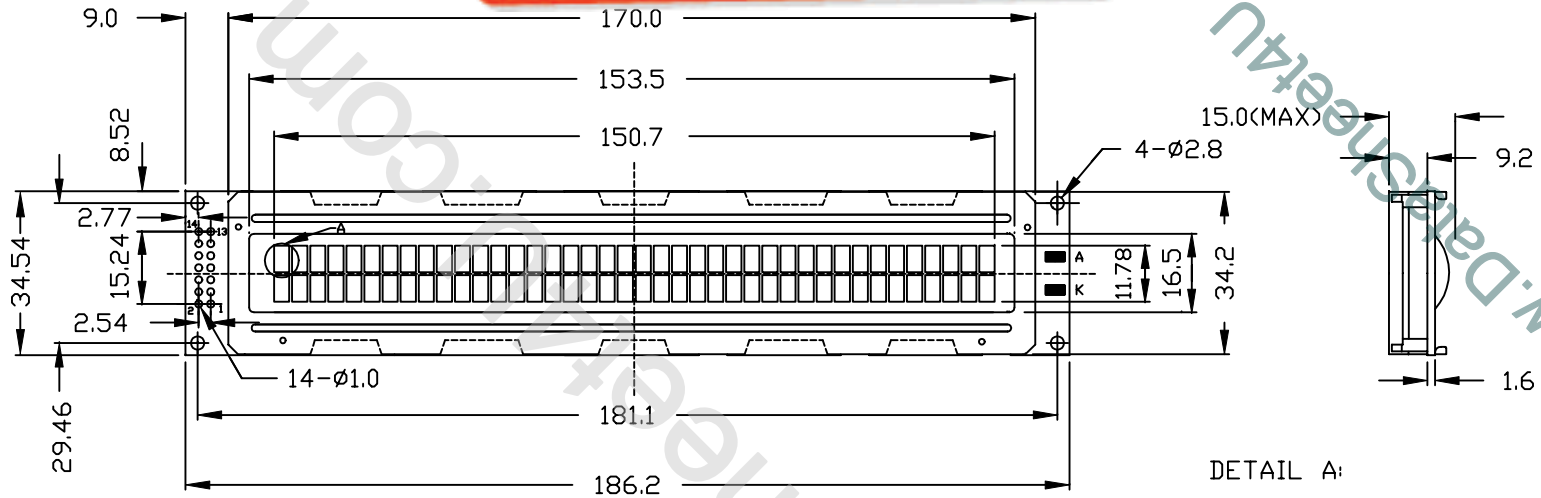


液晶之友 电话: 020-33819057
[Http://www.lcdfriends.com](http://www.lcdfriends.com)

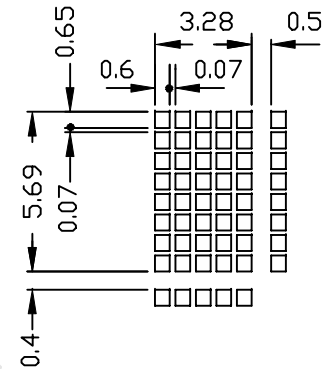


1	2	3	4	5	6	7	8	9	10	11	12	13	14	A	K
V _{SS}	V _{CC}	V _{EE}	RS	R/W	E	DB0	DB1	DB2	DB3	DB4	DB5	DB6	DB7	LED+	LED-

NOTES:

1. DISPLAY TYPE: STN/YELLOW-GREEN MODE
2. VIEWING DIRECTION: 6:00
3. POLARIZER MODE: TRANSFLECTIVE/POSITIVE
4. DRIVE METHOD: 1/16 DUTY 1/5 BIAS
5. LCD OPERATING VOLTAGE: 4.5V
6. OPERATING TEMP.: 0°C-+50°C
7. STORAGE TEMP.: -10°C-+60°C
8. CONTROLLER: S6A0069X01-COCX(KS0066UP-00CC)
9. BACKLIGHT TYPE: LED
10. BEZEL IS TO BE PAINTED BLACK
11. ALL UNMARKED TOLERANCES: ±0.3mm

DETAIL A:



TIAN-MA MICROELECTRONICS CO.

6/F., CASTIC Building, Shennan Road, Central, Shenzhen, China

DRAWN BY:	TITLE: TM402ABC6	
CHECKED BY:	DWG NO: G-2	
APPROVED BY:	DWG NAME: TM402ABC6G-2	UNIT: mm
CONFIRMED BY:	SHEET NO: OF	